

Circular Plastic Connector Right-Angle Cable Clamp with Cover

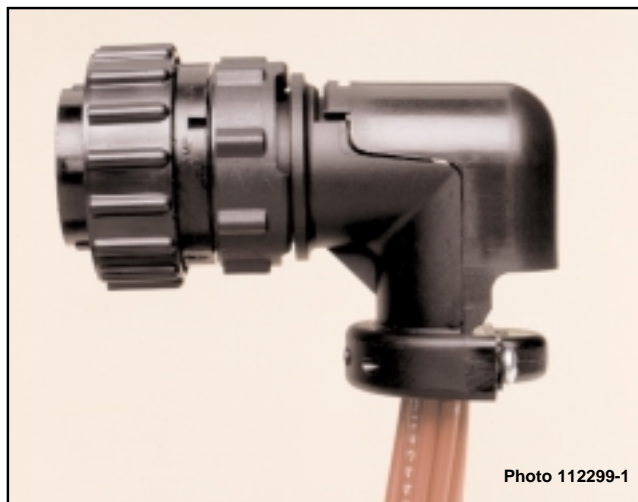
Issued 09/02 1654101

DESCRIPTION

- This product features an attachable cover that will provide wire insulation protection at the rear of the connector body.

APPLICATIONS

- Industrial Machinery
- Instrumentation
- Any AMP Circular Plastic Connector application where a straight cable clamp is too long



KEY FEATURES

- Strain relief body uses a coupling ring to attach to the connector body which allows the harness assembler to position the direction of the wire assembly in a 360° radius
- Attachable cover provides an enclosure that will not allow access into the rear of the connector body. This provides insulation protection of the wire.

MECHANICAL

- Designed to provide strain relief for even the heaviest of harnesses in most applications.

MATERIALS

- Made from black thermoplastic, heat stabilized, fire-resistant, self-extinguishing, UL 94V-0 material

STANDARDS & SPECS

- Product Specification: 108-10024
- Application Specification: 114-10038 (CPC)
- Instruction Sheet: 408-7582

FOR MORE INFORMATION

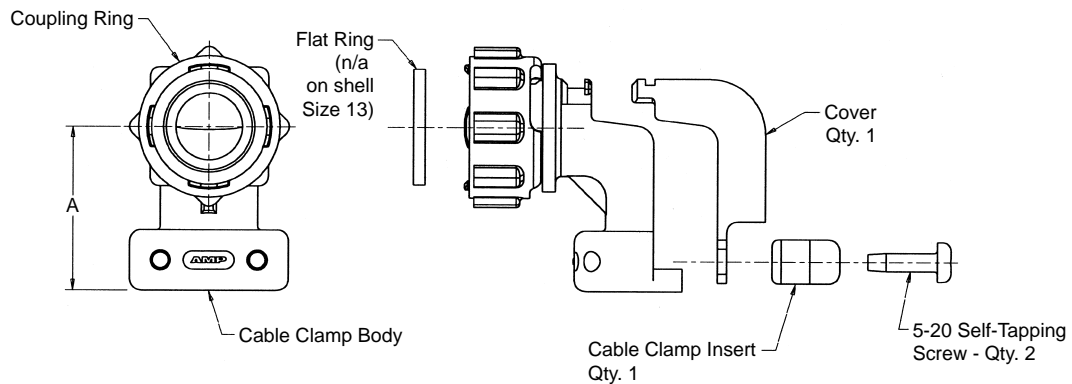
Technical Support

Phone: 1-800-522-6752

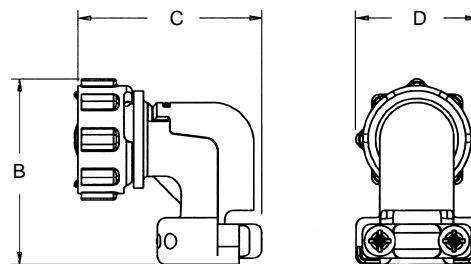
Internet: www.tycoelectronics.comE-mail: newproducts@tycoelectronics.com**new product**

Circular Plastic Connector Right-Angle Cable Clamp with Cover

PRODUCT DIMENSIONS



Assembled View



PRODUCT OFFERING

Shell Size	Dimensions				Cable O.D. Max.	Part Number
	A	B	C	D		
11	.900 [22.86]	1.40 [35.56]	1.36 [34.54]	.885 [22.48]	.329 [8.36]	1546347-1
13	1.100 [27.94]	1.66 [42.16]	1.65 [41.91]	1.01 [25.65]	.453 [11.51]	1546348-1
17	1.200 [30.48]	1.80 [45.72]	1.77 [44.96]	1.20 [30.48]	.453 [11.51]	1546349-1
23	1.515 [38.48]	2.40 [60.96]	1.97 [50.04]	1.685 [42.80]	.703 [17.86]	1546350-1