

1586054-2 Product Details

[+ Share](#) | [Print](#) | [Email](#)

Detailed product features are not currently available online.

Product features can often be found by referring to the available documents. [Contact us](#) for information about this product.

No Image Available

VAL-U-LOK PIN BR AU 16AWG

 Always EU RoHS/ELV Compliant (Statement of Compliance)

Quick Links

- [▶ Pricing & Availability](#)
- [▶ Search for Tooling](#)
- [▶ Contact Us About This Product](#)

1586054-2

TE Internal Number: 1586054-2

 [Active](#)

[Add to My Part List](#)

[Buy Product](#)

Documentation & Additional Information

Product Drawings:

- [TERMINAL, PIN VAL-U-LOK\(TM\)](#) (PDF, English)

Catalog Pages/Data Sheets:

- [SOFT_SHELL_PIN_AND_SOCKET_CONNECTORS_CATALOG](#) (PDF, English)

Product Specifications:

- [VAL-U-LOK Connectors](#) (PDF, English)

Application Specifications:

- [VAL-U-LOK Series Headers and Connectors](#) (PDF, English)

Instruction Sheets:

- None Available

CAD Files:

- None Available

Related Products:

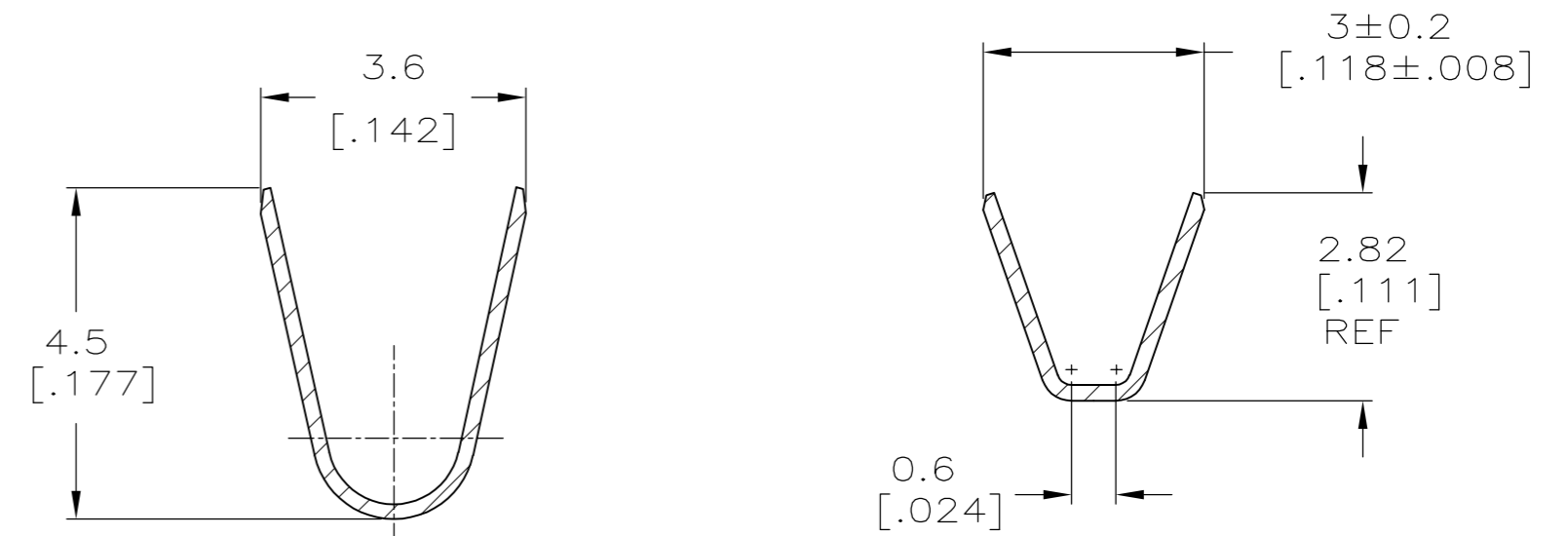
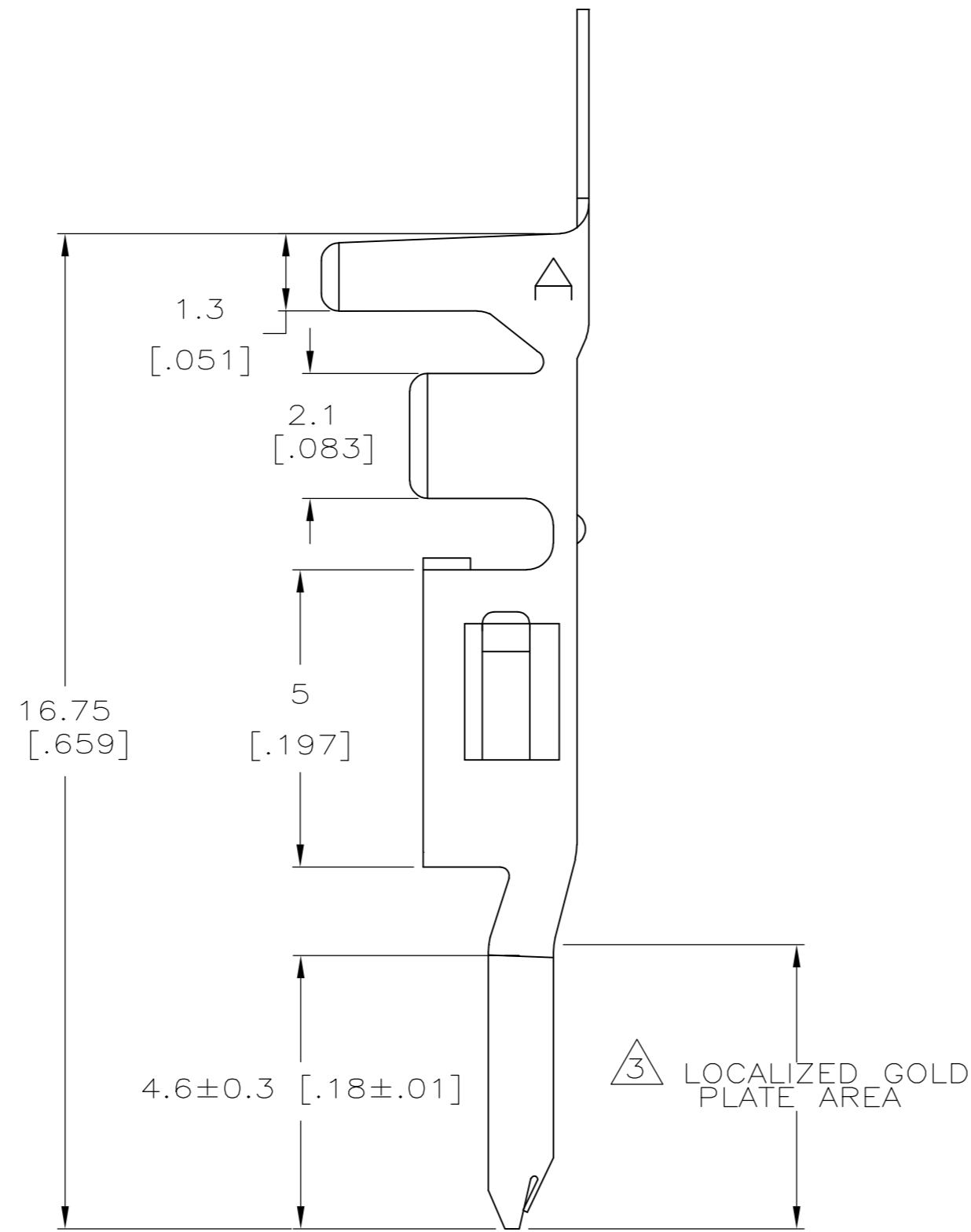
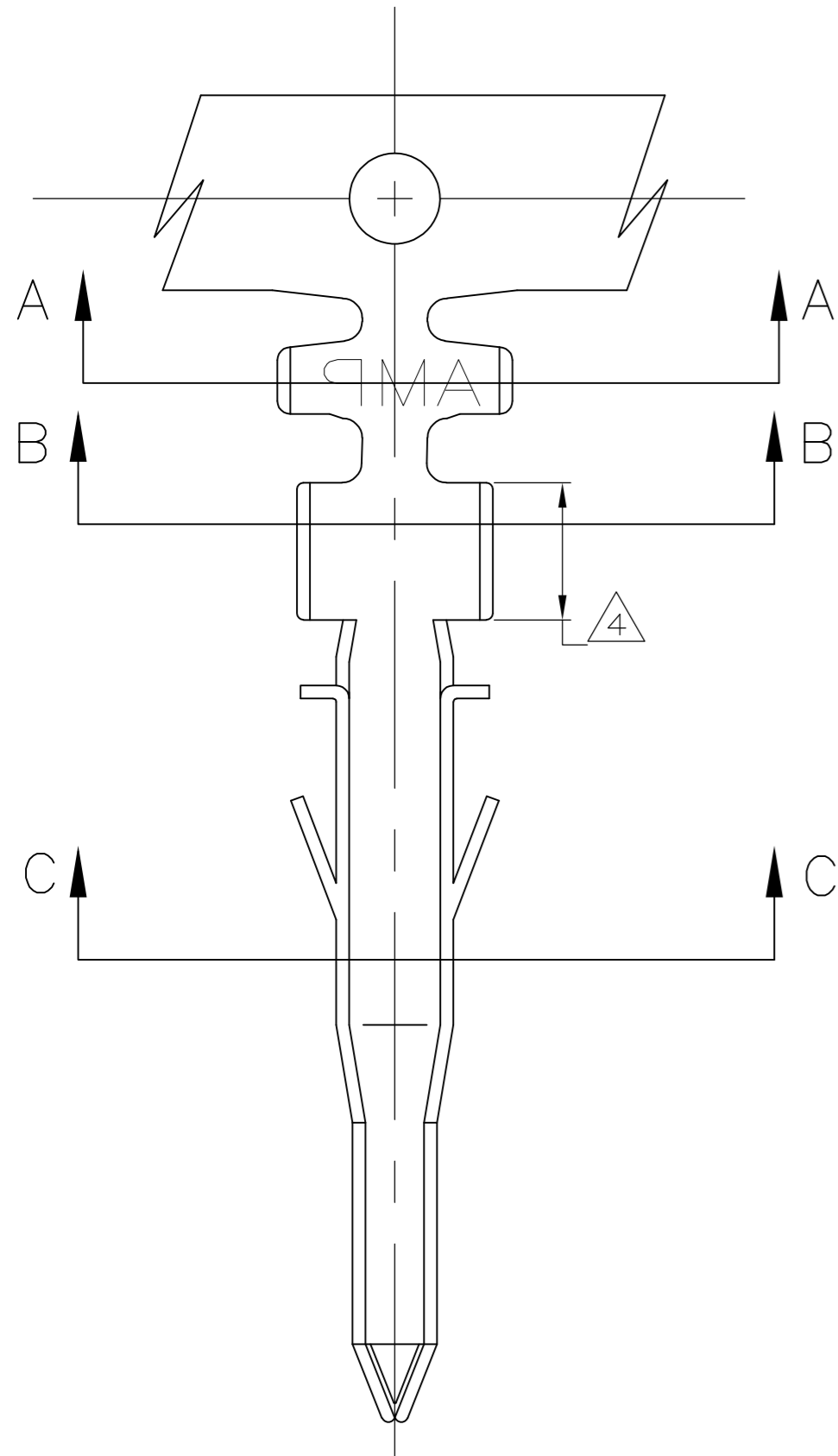
- [Tooling](#)

[List all Documents](#)

THIS DRAWING IS UNPUBLISHED. RELEASED FOR PUBLICATION
 © COPYRIGHT BY TYCO ELECTRONICS CORPORATION. ALL RIGHTS RESERVED.

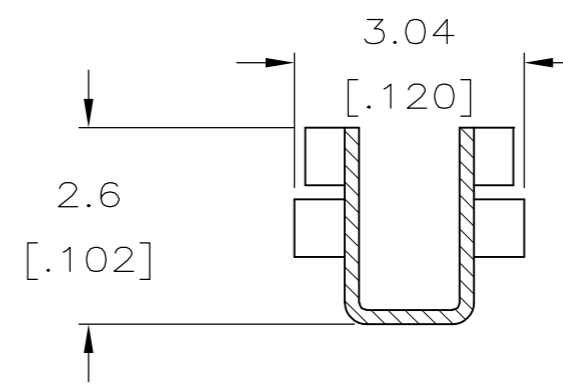
LOC	DIST	REVISIONS			
P	LTR	DESCRIPTION	DATE	DWN	APVD
CM	00	C1	REVISED PER ECR-10-013247	25JUN10	HMR KR

- 1 WIRE RANGE: 1.31mm² (16 AWG)
- 2 INSULATION RANGE: 3.10 [.122] DIA.
- △3 FINISH: 0.76µm [.000030 in] GOLD IN LOCALIZED GOLD PLATE AREA OVER 1.27µm [.00005 in] MINIMUM NICKEL.
- △4 FINISH: 2.54µm [.00001 in] MINIMUM TIN IN LOCALIZED TIN PLATE AREA.
- △5 FINISH: 2.54µm [.00001 in] MINIMUM PRE-TIN ALL OVER.



SECTION A-A

SECTION B-B



GOLD △3△4	PHOS. BRZ.	1586054-4
PRE-TIN △5	PHOS. BRZ.	1586054-3
GOLD △3△4	BRASS	1586054-2
PRE-TIN △5	BRASS	1586054-1
FINISH	MATERIAL	PART NO.

METRIC

THIS DRAWING IS A CONTROLLED DOCUMENT.		DWN S. HOOVER 17-NOV-2004	Tyco Electronics Corporation Harrisburg, PA 17105-3608	
DIMENSIONS: mm [INCHES]		CHK D. COLEY 17-NOV-2004	NAME	
TOLERANCES UNLESS OTHERWISE SPECIFIED:		APVD D. COLEY 17-NOV-2004	TERMINAL, PIN VAL-U-LOK(TM)	
0 PLC ±		PRODUCT SPEC	SIZE A2	CAGE CODE 00779
1 PLC ±		APPLICATION SPEC	DRAWING NO C=1586054	RESTRICTED TO
2 PLC ± 0.13 [.005]		WEIGHT	SCALE 10:1	SHEET 1 of 1
3 PLC ±		CUSTOMER DRAWING	REV C1	
4 PLC ±				
ANGLES ± 0°30'				
FINISH				

1586054