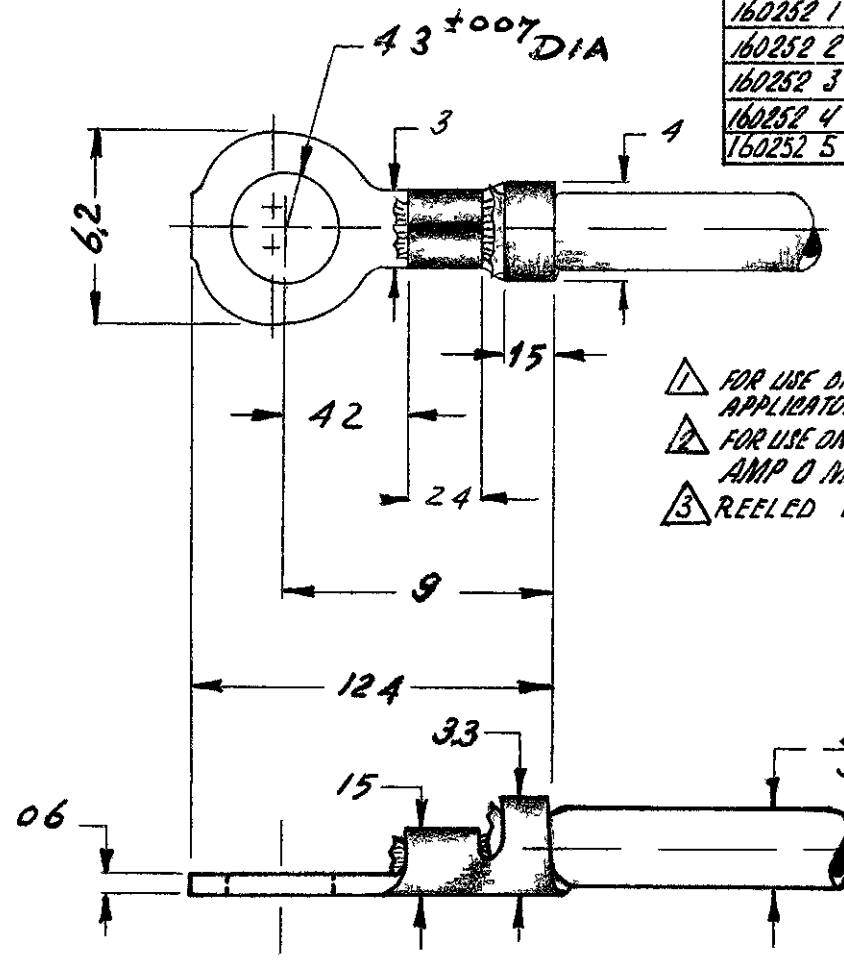


C 160252

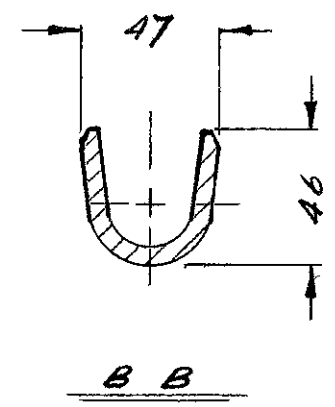
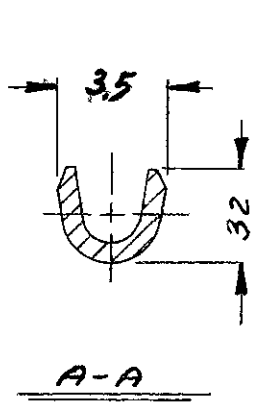
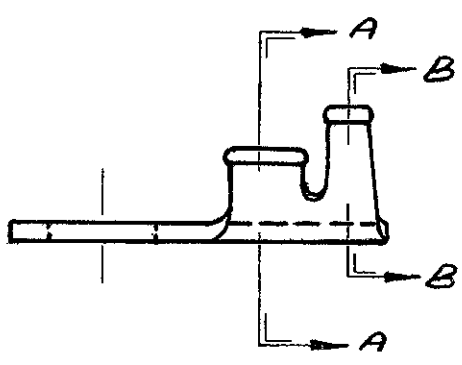
ED ON

N A T

ORDER NO	MATERIAL PLATING	NOTE
160252 1	BRASS	1
160252 2	BRASS TINPLATED	1
160252 3	BRASS	2
160252 4	BRASS TINPLATED	2
160252 5	BRASS	3 1



- △ FOR USE ON STANDARD AND MINIATURE APPLICATOR
- △ FOR USE ON MINIATURE APPLICATOR AMP O WATOR APPLICATION
- △ REELED WITH PAPER



MATERIAL **BRASS**

HEAT TREATMENT **~**

FINISH **~**

AMP HOLLAND N V 1959

AMP HOLLAND N V  
s HERTOGENBOSCH HOLLAND

WIRE TERMINAL

CLASS RINGTONGUE

TYPE A M

SIZE 05-143 MM<sup>2</sup>

TO ERANCES ALL D MENS ONS

EXCEP AS NO ED

B	ADDED -5	23.5.82	RB
A	ADDED TABLE AND NOTES	23.2.78	RB
No	ALTERNAT ON	DATE	BY N D C

DR **W J BOTS** 7-9/59 TR  
CK APP

SCALE **4-1** **C-160252**