



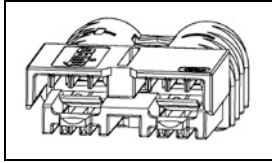
Have a Question?
Chat with a Product Information Specialist

What can we help you find?

[Products](#) [Industries](#) [Resources](#) [About TE](#) [My Account](#) [Innovation](#) [Support Center](#)

1604342-1 Product Details

[Share](#) [Print](#) [Email](#)



1604342-1

TE Internal Number: 1604342-1

Active

[View 3D PDF](#)

AMP Power Series Connectors

Always EU RoHS/ELV Compliant (Statement of Compliance)

Product Highlights:

- 50 Series
- Connector
- Housing
- Contact - Rated Current = 50 A
- AWG > 0 = No

[View all Features](#)

Quick Links

- ▶ [Pricing & Availability](#)
- ▶ [Search for Tooling](#)
- ▶ [Product Feature Selector](#)
- ▶ [Contact Us About This Product](#)

[Add to My Part List](#) [Request Sample](#) [Find Similar Products](#) [Buy Product](#)

Documentation & Additional Information	
<p>Product Drawings:</p> <ul style="list-style-type: none"> • ASSEMBLY, 50 SERIES POWER CONNECTOR, FINGER PROOF (PDF, English) <p>Catalog Pages/Data Sheets:</p> <ul style="list-style-type: none"> • POWER_CONNECTORS_CATALOG_SEC02_CABLE_MOUNTED (PDF, English) • 2_PIECE_POWER_CONNECTORS_qrg_4-1773458-1 (PDF, English) <p>Product Specifications:</p> <ul style="list-style-type: none"> • None Available <p>Application Specifications:</p> <ul style="list-style-type: none"> • None Available <p>Instruction Sheets:</p> <ul style="list-style-type: none"> • None Available <p>CAD Files: (CAD Format & Compression Information)</p> <ul style="list-style-type: none"> • 2D Drawing (DXF, Version 0) • 3D Model (IGES, Version 0) • 3D Model (STEP, Version 0) 	<p>Additional Information:</p> <ul style="list-style-type: none"> • Product Line Information <p>Related Products:</p> <ul style="list-style-type: none"> • Tooling

[List all Documents](#)

Product Features (Please use the Product Drawing for all design activity)	
<p>Product Type Features:</p> <ul style="list-style-type: none"> • Product Type = Connector • Connector Type = Housing • Sealed = No • Wire/Cable Type = Discrete Wire <p>Mechanical Attachment:</p> <ul style="list-style-type: none"> • Panel Mount Retention = Without <p>Electrical Characteristics:</p> <ul style="list-style-type: none"> • Contact - Rated Current (A) = 50 • AWG > 0 = No • Operating Voltage Reference = DC, AC, AC/DC • Operating Voltage (VAC) = 600 • Operating Voltage (VDC) = 600 • UL Voltage Rating (VAC) = 600 • UL Voltage Rating (VDC) = 600 • Hot Pluggable = No <p>Termination Features:</p> <ul style="list-style-type: none"> • Wire/Cable Size (AWG) = 6 - 12 • Wire/Cable Size (mm²) = 3.085 - 14 • Wire/Cable Size (CMA) = 6,088 - 27,629 • Termination Method to Wire/Cable = Crimp <p>Dimensions:</p> <ul style="list-style-type: none"> • Length (X-Axis) (mm [in]) = 55.98 [2.200] 	<p>Contact Features:</p> <ul style="list-style-type: none"> • Contact Type = Pin/Socket <p>Housing Features:</p> <ul style="list-style-type: none"> • Housing Color = Brown • Mating Alignment = With • Connector Style = Plug/Receptacle • Mating Alignment Type = Keyed • Housing Material = Polycarbonate <p>Configuration Features:</p> <ul style="list-style-type: none"> • Number of Positions = 2 <p>Industry Standards:</p> <ul style="list-style-type: none"> • RoHS/ELV Compliance = RoHS compliant, ELV compliant • Lead Free Solder Processes = Not relevant for lead free process • RoHS/ELV Compliance History = Always was RoHS compliant • Agency/Standard = UL • UL Rating = Recognized • UL File Number = E28476 • UL Flammability Rating = UL 94V-0 <p>Conditions for Usage:</p> <ul style="list-style-type: none"> • Accepts Wire Insulation Diameter, Range (mm [in]) = 10.00 [0.394] • Applies To = Wire/Cable

- Width (Z-Axis) (mm [in]) = 35.05 [1.380]
- Profile Height (Y-Axis) (mm [in]) = 17.19 [0.6767]

Body Features:

- Mating Retention = Without
- Wire Type = Stranded

Operation/Application:

- Contact Transmits (Typical Application) = Power
- Application Use = Wire-to-Wire

Packaging Features:

- Packaging Method = Loose Piece

Other:

- Series = 50
- Brand = AMP

Corporate Information

- [About TE](#)
- [Investors](#)
- [News Room](#)
- [Supplier Portal](#)
- [Careers](#)
- [Terms & Conditions](#)
- [Privacy Policy](#)
- [AODA Accessibility Policy](#)
- [AODA Multi-Year Accessibility Plan](#)

Quick Links

- [Distributor Inventory](#)
- [Product Cross Reference](#)
- [Documents & Drawings](#)
- [Product Compliance Support Center](#)
- [Site Map](#)

Customer Support

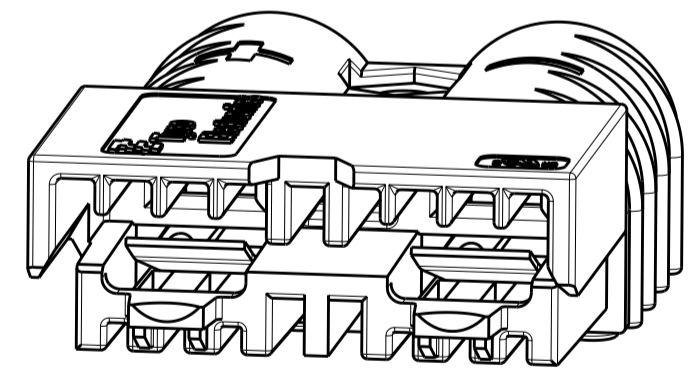
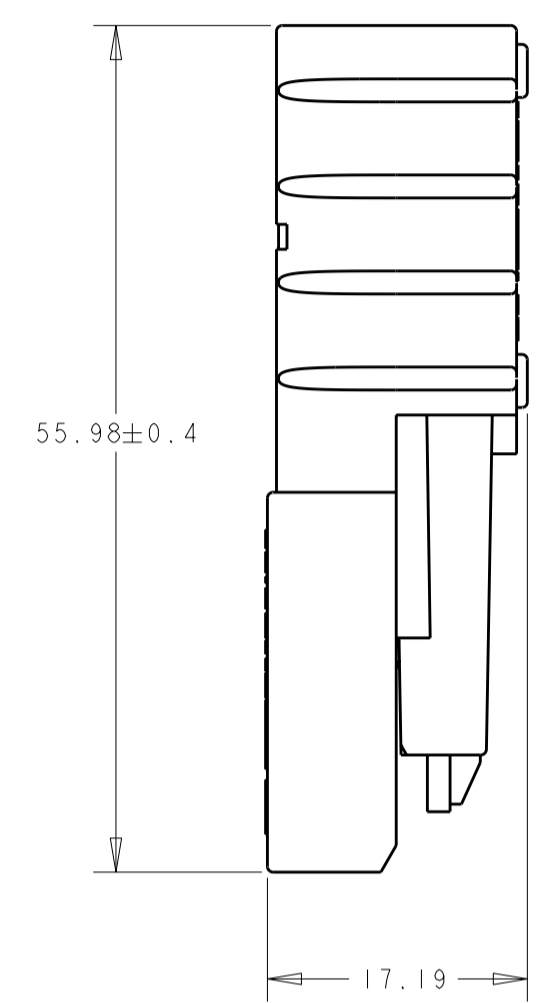
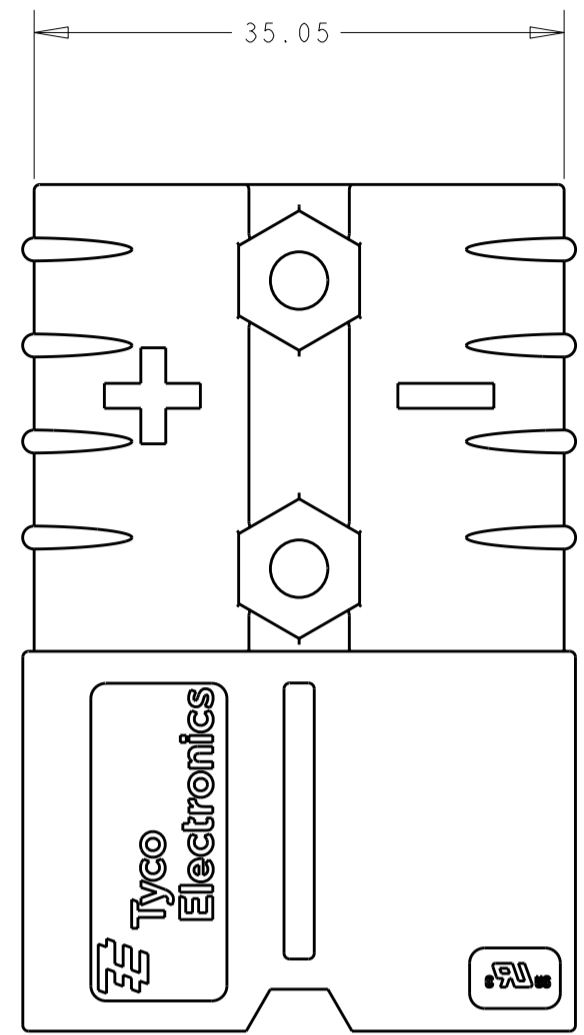
- [Email or Chat With Us](#)
- [Find a Phone Number](#)
- [Knowledge Base](#)
- [Manage Your Account](#)

Keep Me Informed

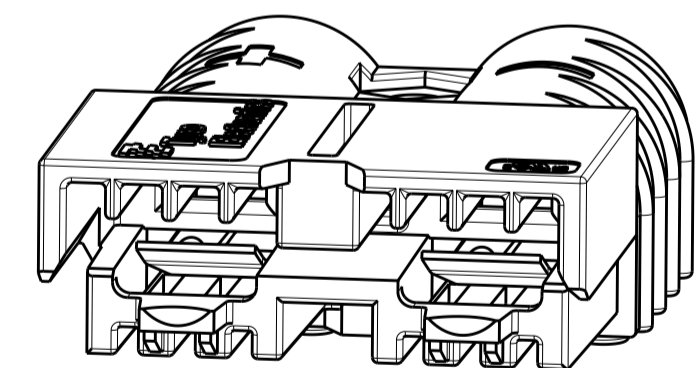


THIS DRAWING IS UNPUBLISHED. RELEASED FOR PUBLICATION 20
 © COPYRIGHT 20 BY TYCO ELECTRONICS CORPORATION. ALL RIGHTS RESERVED.

LOC	DIST	REVISIONS			
P	LTR	DESCRIPTION	DATE	DWN	APVD
CM	00	01	REVISED PER PER ECR-10-010379	24MAY2010	HMR JR



1604342-1



1604342-2

WHITE	1604342-2
BROWN	1604342-1
COLOR	PART NUMBER

THIS PRODUCT HAS PASSED VERIFICATION AND AGENCY APPROVALS TESTING AND IS COMPONENT RECOGNIZED PER UL 1977 AND CSA 22.2. TYCO ELECTRONICS PRODUCT QUALIFICATION TESTING IS NOT YET COMPLETE.



THIS DRAWING IS A CONTROLLED DOCUMENT FOR TYCO ELECTRONICS CORPORATION. IT IS SUBJECT TO CHANGE AND THE CONTROLLING ENGINEERING ORGANIZATION SHOULD BE CONTACTED FOR THE LATEST REVISION.		DWN B. HAYMAKER 04 JUN 2002	Tyco Electronics Harrisburg, PA 17105-3608	
DIMENSIONS: mm		CHK R. WALTER 04 JUN 2002	NAME ASSEMBLY, 50 SERIES POWER CONNECTOR, FINGER PROOF	
TOLERANCES UNLESS OTHERWISE SPECIFIED: 0 PLC ± 1 PLC ± 2 PLC ±0.13 3 PLC ± 4 PLC ± ANGLES ± FINISH		APVD R. WALTER 04 JUN 2002	PRODUCT SPEC - APPLICATION SPEC - WEIGHT -	
MATERIAL -		CUSTOMER DRAWING	SIZE A2	CAGE CODE 00779
		SCALE 2:1	DRAWING NO 1604342	RESTRICTED TO -
		SHEET 1	OF 1	REV 01