

AMP Power Series 50 FPR (Finger Probe Resistant) Connectors

DESCRIPTION

- The AMP Power Series 50 FPR (Finger Probe Resistant) product is a new, novel extension to the standard AMP Power Series 50 connector line. The standard 50 A product is inherently accessible by a UL finger probe and is therefore limited to low voltage or non-user accessible applications.
- The new 50 A FPR product is designed to help prevent finger probe access and allows the product to be more safely used at elevated voltages and in user access areas.

APPLICATIONS

- Uninterruptible Power Supplies
- Power Supplies
- Battery Banks

KEY FEATURES

- Complies with UL 60950 finger probe requirements
- Utilizes 50 A AMP Power Series contacts
- Brown and white housing colors available (other colors possible)
- Two keying configurations available (up to 6 keying configurations possible)

ELECTRICAL

- Current capability: 50 A max.
- Voltage rating: 600V, AC or DC
- Dielectric Withstanding Voltage: 2200 VDC

MECHANICAL

- Designed to defeat UL finger probe as outlined in UL 60950
- Contact Retention: 50 lbs. [222.4N]
- Wire Size: 6-12 AWG [15-3 mm²]
- Max. Wire Insulation Diameter: .44 [11.18]

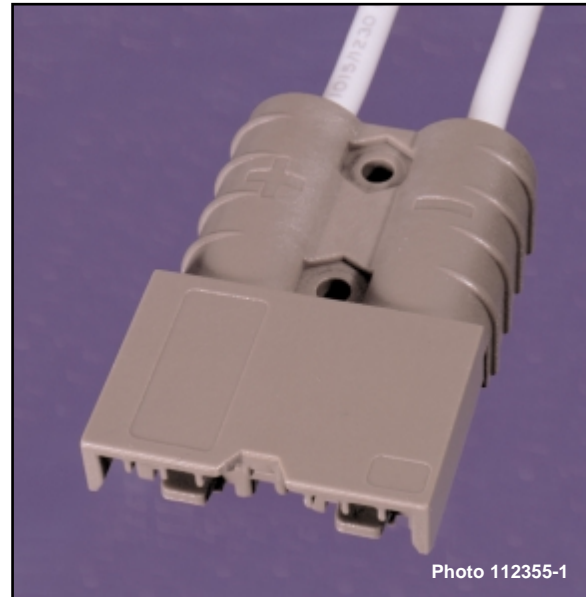
FOR MORE INFORMATION

Technical Support
Internet: www.tycoelectronics.com
E-mail:
newproducts@tycoelectronics.com

USA: 1-800-522-6752
Canada: 1-905-470-4425
Mexico: 01-800-733-8926
C. America: 52-55-5-792-0425

South America: 55-11-3611-1514
Hong Kong: 852-2735-1628
Japan: 81-44-844-8013
UK: 44-141-810-8967

Revised 01/04 1654219



new product

AMP Power Series 50 FPR (Finger Probe Resistant) Connectors

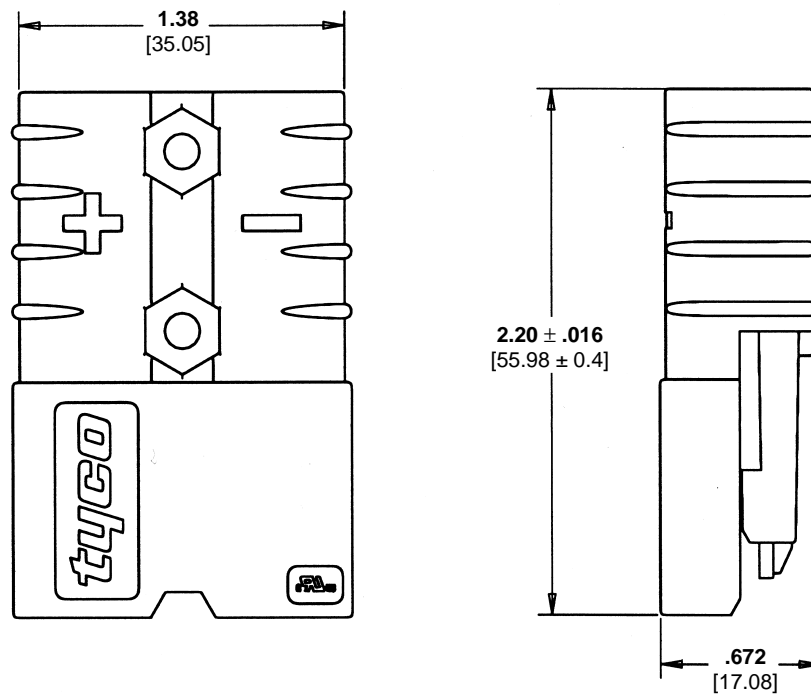
MATERIALS

- Contacts: Copper
- Housings: Polycarbonate, UL 94V-0

STANDARDS & SPECS

- Component Recognized by UL to US & Canadian Standards, File No. E28476
- Complies with Finger Probe requirements of UL 60950

PRODUCT DIMENSIONS



PRODUCT OFFERING

Housings

Part Number 1604342-1	Brown
Part Number 1604342-2	White

Contacts - Cold-Headed

Wire Size	Part Number	
	Loose Piece ¹	On Tape ²
6 AWG	647877-1	647754-1
8 AWG	647878-1	647755-1
10-12 AWG	647879-1	647756-1

¹ Use Hand Tool Part No. 1526955-1

² Taped versions can be terminated using the AMP-TAPETRONIC Machine