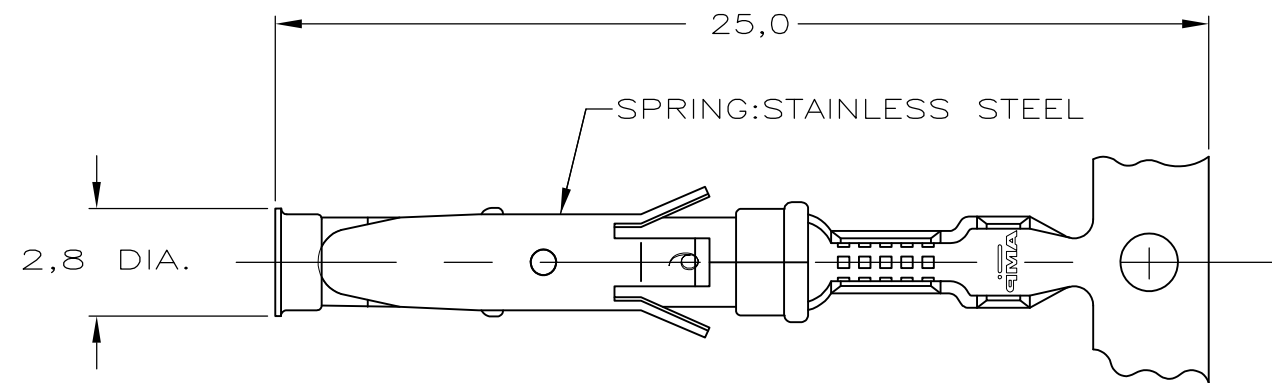
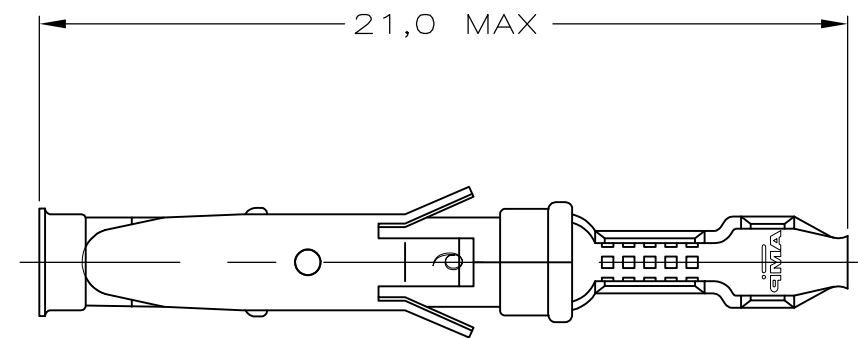


THIS DRAWING IS UNPUBLISHED. RELEASED FOR PUBLICATION  
 © COPYRIGHT - By - ALL RIGHTS RESERVED.

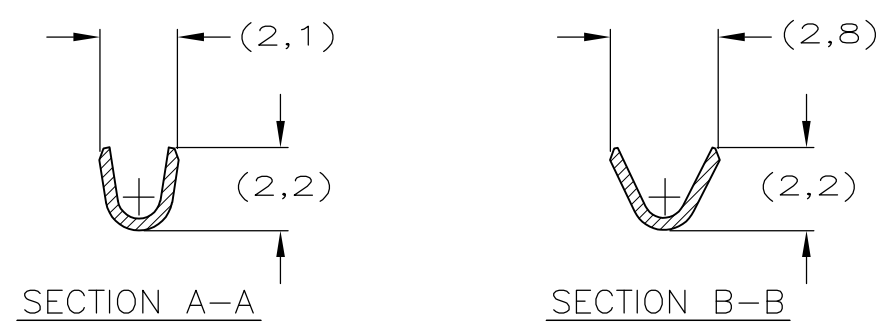
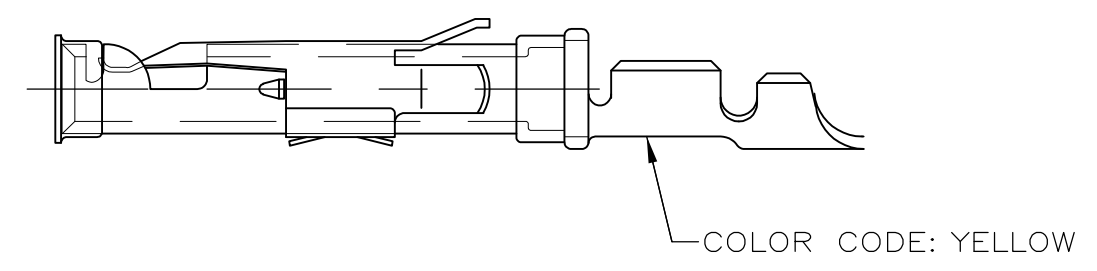
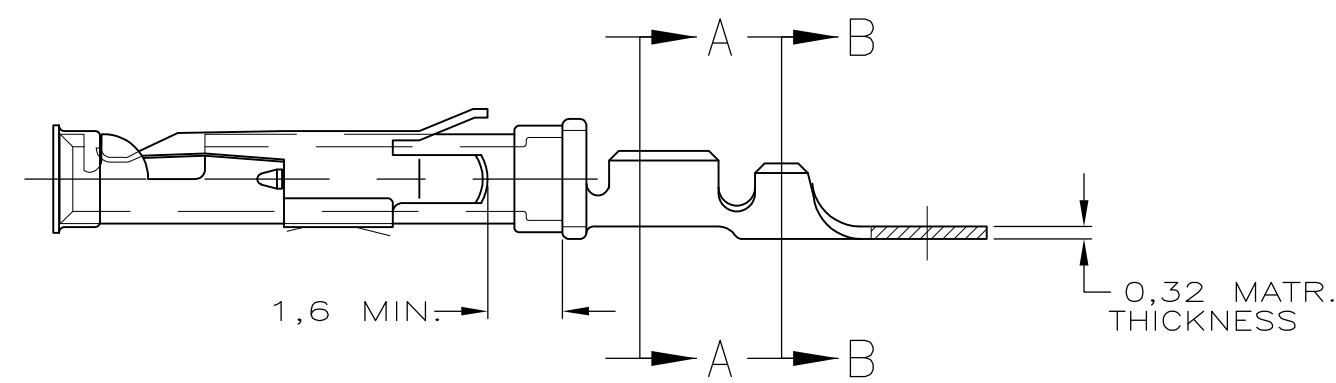
REVISIONS					
P	LTR	DESCRIPTION	DATE	DWN	APVD
	AD4	PN 1-163087-0 OBSOLETE	18MAY2017	TJ	NG



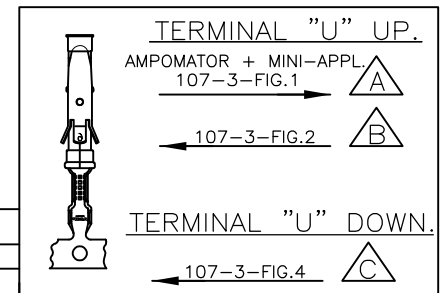
STRIP



LOOSE-PIECE



WIRE RANGE : 0,2-0,50 mm<sup>2</sup> (24-20 AWG)  
 INSUL. RANGE : 1,1 -1,8 mm (.080-.100)



REVISION	DESCRIPTION	DATE	DWN	APVD
1	1-163087-5	21JULY2015	M THAJUDEEN	
2	1-163087-4	21JULY2015	GANI NIMBENNA	
3	1-163087-3	21JULY2015	PRASHANTH S	
4	5-163087-3			
4	5-163087-2			
4	5-163087-1			
2	1-163087-2			
1	1-163087-1			
1	1-163087-0			
	163087-9			
	163087-8			
1	163087-2			
1	163087-1			

PART NUMBER	DIRECTION OF REEL	LOOSE-PIECE	MATERIAL	PLATING
1-163088-4	6		BRASS	SILVER
1-163088-4	6		BRASS	EL.TIN
1-163088-3	6		BRASS	BR.TIN/LEAD
5-163088-3	6		BRASS	ECON.GOLD
5-163088-2	6		BRASS	SEL.GOLD
5-163088-1	6		BRASS	EL.TIN
1-163088-1	6		BRASS	GOLD
1-163088-0	6		BRASS	ECON.GOLD
163088-0			BRASS	EL.TIN
163088-1			BRASS	SEL.GOLD
163088-1			BRASS	EL.TIN

- NOTES :
- 1 UL RECOGNIZED UNDER E28476 VOL VI SEC I
  - 2 FOR CRIMP DETAILS SEE SPEC. 114-19000
  - 3 MEETS PRODUCT SPECIFICATION 108-10042
  - 4 SPECIAL REEL WITH 200PCS FOR REEL-FED HAND-TOOL
  - 5 OBSOLETE PARTS: OBSOLETE CIS STREAMLINING PER D.RENAUD/D.SINISI
  - 6 OBSOLETE
  - 7 OMISSION OF 6 CONTACTS MAX PER REEL OF 5000PCS
  - 31 LUBRICATED

NOTES	MATERIAL	THICKNESS	AREA
20	TIN	2,0 μm	ALL OVER
21	NICKEL GOLD TIN	0,8 μm	ALL OVER CONTACT AREA BARREL
22	NICKEL GOLD GOLD	0,8 μm	ALL OVER CONTACT AREA ALL OVER
23	NICKEL GOLD GOLD	1,2 μm	ALL OVER CONTACT AREA ALL OVER
27	NICKEL SILVER TIN	2,5 μm	ALL OVER CONTACT AREA BARREL
28	SILVER NICKEL	1,5-2,5 μm	ALL OVER
29	SILVER	0,76 μm	ALL OVER
30	NICKEL BR TIN	1,27 μm	ALL OVER

THIS DRAWING IS A CONTROLLED DOCUMENT.

DIMENSIONS:	TOLERANCES UNLESS OTHERWISE SPECIFIED:
mm	0 PLC ± -
	1 PLC ± -
	2 PLC ± -
	3 PLC ± -
	4 PLC ± -
	ANGLES ± -
MATERIAL	FINISH
REFER TABLE	REFER TABLE

STE TE Connectivity

TYPE III+, SIZE 16, SOCKET ASS'Y, 24-20 AWG, 1.1-1.8mm DIA INSULATION

108-10042

114-19000

0.539g

A300779 C-163087

SCALE - SHEET 1 OF 1 REV AD4