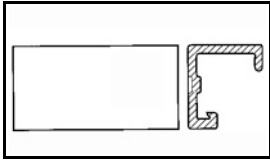


1-640550-8 Product Details

[Share](#) [Print](#) [Email](#)




1-640550-8

TE Internal Number: 1-640550-8

 Active

[View 3D PDF](#)

MTA, CST and SL Accessories

 Always EU RoHS/ELV Compliant
(Statement of Compliance)

Product Highlights:

- Accessory Type = Dust Cover
- Without Panel Mount Retention
- Cover Style = Closed End
- 18 Positions
- Used For MTA-100 Connectors

[View all Features](#)

Quick Links

- ▶ [Pricing & Availability](#)
- ▶ [Search for Tooling](#)
- ▶ [Product Feature Selector](#)
- ▶ [Contact Us About This Product](#)

[Add to My Part List](#)

[Request Sample](#)

[Find Similar Products](#)

[Buy Product](#)

Documentation & Additional Information

Product Drawings:

- [COVER, MTA-100](#) (PDF, English)

Catalog Pages/Data Sheets:

- [MTA, CST-100 II, SL-156 and AMP Economy Power \(EP\) C...](#) (PDF, English)

Product Specifications:

- None Available

Application Specifications:

- None Available

Instruction Sheets:

- None Available

CAD Files: (CAD Format & Compression Information)

- [2D Drawing](#) (DXF, Version L)
- [3D Model](#) (IGES, Version L)
- [3D Model](#) (STEP, Version L)

[List all Documents](#)

Additional Information:

- [Product Line Information](#)

Additional Product Images:

- [Product Photo](#)

Related Products:

- [Tooling](#)

Product Features (Please use the Product Drawing for all design activity)

Product Type Features:

- [Accessory Type](#) = Dust Cover
- [Cover Style](#) = Closed End
- [Used For](#) = MTA-100 Connectors
- Color = White

Mechanical Attachment:

- Panel Mount Retention = Without

Body Features:

- Body Material = Polyester

Housing Features:

- UL Flammability Rating = UL 94V-0

Configuration Features:

- [Number of Positions](#) = 18

Industry Standards:

- [RoHS/ELV Compliance](#) = RoHS compliant, ELV compliant
- [Lead Free Solder Processes](#) = Not relevant for lead free process
- [RoHS/ELV Compliance History](#) = Always was RoHS compliant

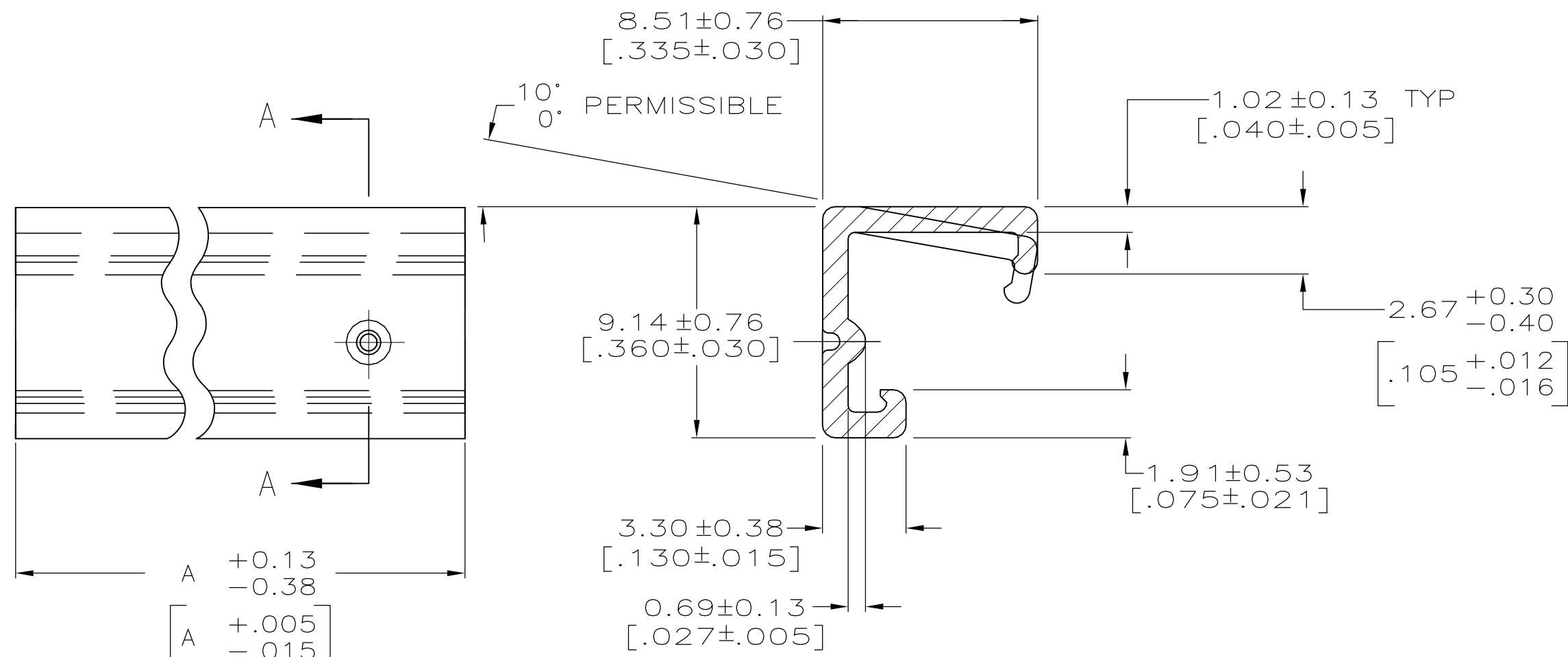
Other:

- Brand = AMP

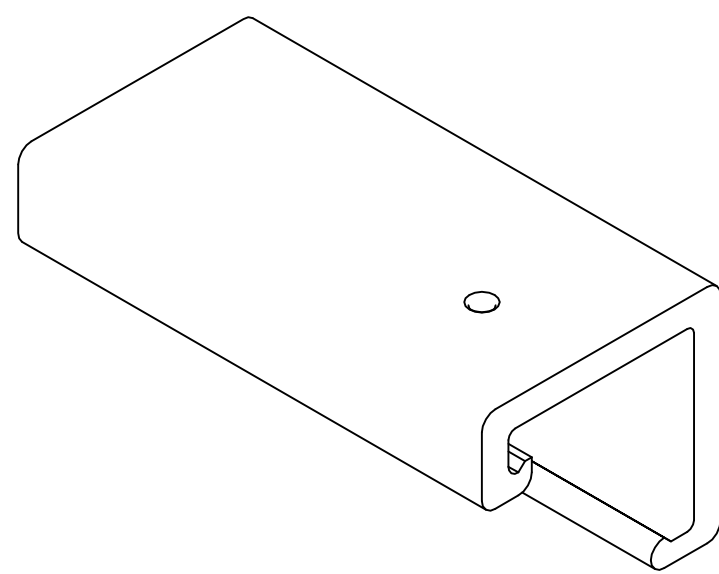
THIS DRAWING IS UNPUBLISHED. RELEASED FOR PUBLICATION
 © COPYRIGHT - By - ALL RIGHTS RESERVED.

LOC	DIST	REVISIONS			
P	LTR	DESCRIPTION	DATE	DWN	APVD
CM	54	L2	REVISED PER ECO-11-016260	11AUG11	JR SM

1. DIMENSIONS IN BRACKETS ARE IN INCHES.



SECTION A-A



3-DIMENSIONAL MODEL NTS

28	CIRCUIT ASSY	71.12	[2.800]	2-640550-8	
27	CIRCUIT ASSY	68.58	[2.700]	2-640550-7	
26	CIRCUIT ASSY	66.04	[2.600]	2-640550-6	
25	CIRCUIT ASSY	63.50	[2.500]	2-640550-5	
24	CIRCUIT ASSY	60.96	[2.400]	2-640550-4	
23	CIRCUIT ASSY	58.42	[2.300]	2-640550-3	
22	CIRCUIT ASSY	55.88	[2.200]	2-640550-2	
21	CIRCUIT ASSY	53.34	[2.100]	2-640550-1	
20	CIRCUIT ASSY	50.80	[2.000]	2-640550-0	
19	CIRCUIT ASSY	48.26	[1.900]	1-640550-9	
18	CIRCUIT ASSY	45.72	[1.800]	1-640550-8	
17	CIRCUIT ASSY	43.18	[1.700]	1-640550-7	
16	CIRCUIT ASSY	40.64	[1.600]	1-640550-6	
15	CIRCUIT ASSY	38.10	[1.500]	1-640550-5	
14	CIRCUIT ASSY	35.56	[1.400]	1-640550-4	
13	CIRCUIT ASSY	33.02	[1.300]	1-640550-3	
12	CIRCUIT ASSY	30.48	[1.200]	1-640550-2	
11	CIRCUIT ASSY	27.94	[1.100]	1-640550-1	
10	CIRCUIT ASSY	25.40	[1.000]	1-640550-0	
9	CIRCUIT ASSY	22.86	[.900]	640550-9	
8	CIRCUIT ASSY	20.32	[.800]	640550-8	
7	CIRCUIT ASSY	17.78	[.700]	640550-7	
6	CIRCUIT ASSY	15.24	[.600]	640550-6	
5	CIRCUIT ASSY	12.70	[.500]	640550-5	
4	CIRCUIT ASSY	10.16	[.400]	640550-4	
3	CIRCUIT ASSY	7.62	[.300]	640550-3	
2	CIRCUIT ASSY	5.08	[.200]	640550-2	
USED ON MTA 100 CONNECTOR ASSEMBLY AS LISTED				A	PART NO

THIS DRAWING IS A CONTROLLED DOCUMENT.		DWN T. BECK 7-10-91	TE TE Connectivity	
DIMENSIONS: MM[INCHES]		CHK R. SWING 7-10-91		
TOLERANCES UNLESS OTHERWISE SPECIFIED:		APVD T. WERT 7-10-91	NAME COVER, MTA-100	
0 PLC ± -		PRODUCT SPEC	-	
1 PLC ± -		APPLICATION SPEC	-	
2 PLC ± -		WEIGHT -	SIZE A2	CAGE CODE 00779
3 PLC ± -		FINISH -	DRAWING NO C=640550	RESTRICTED TO -
4 PLC ± -		MATERIAL POLYESTER,UL 94V-0 NATURAL	SCALE 5:1	SHEET 1 of 1
ANGLES ± -		CUSTOMER DRAWING	REV L2	

