

Distributed by:

JAMECO[®]
ELECTRONICS

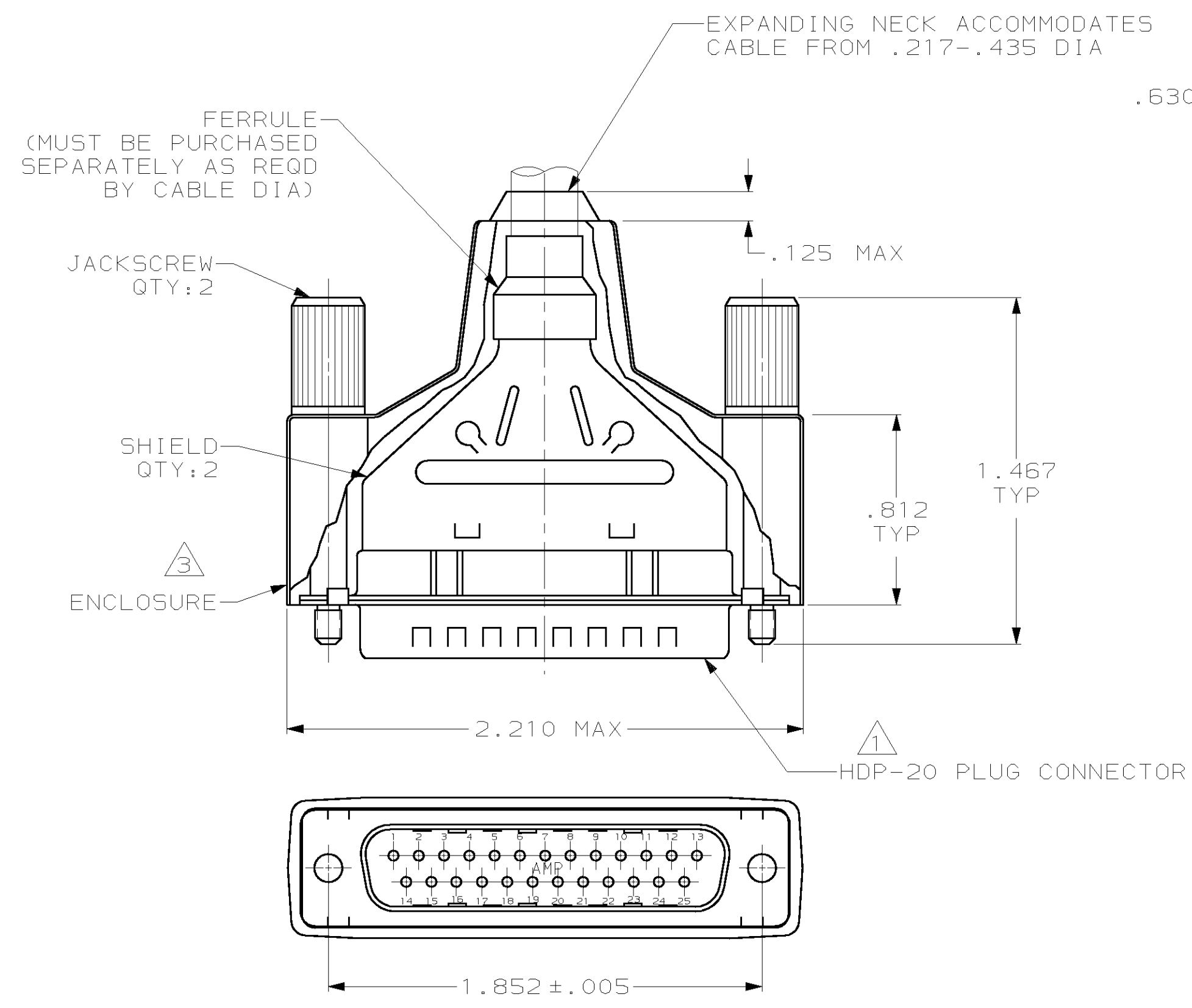
www.Jameco.com ♦ 1-800-831-4242

The content and copyrights of the attached
material are the property of its owner.

Jameco Part Number 904384

THIS DRAWING IS UNPUBLISHED. RELEASED FOR PUBLICATION .19
 (C) COPYRIGHT 19 BY AMP INCORPORATED. ALL RIGHTS RESERVED.

LOC	DIST	REVISIONS					
GP	00	P	LTR	DESCRIPTION	DATE	DWN	APVD
		0		RELEASED PER EC 0513-0196-03	31JUL03	JR	JG



- 1 PLUG ACCEPTS SIZE 20 DF PIN CONTACTS. CONTACTS MUST BE PURCHASED SEPARATELY.
- 2. ALL PARTS SHIPPED UNASSEMBLED.
- 3 FLAME RETARDANT 94V-0 RATED, STYRENE POLYOLEFIN OR PVC, BLACK.
- 4 FLAME RETARDANT 94V-0 RATED GLASS FILLED, NYLON OR POLYESTER, BLACK.
- 5 STEEL PER ASTM A109.
- 6 .000200 MIN TIN PLATE OVER .000100 MIN COPPER UNDERPLATE.
- 7 COMPONENTS INDIVIDUALLY BULK PACKED.
- 8 ZINC ALLOY.
- 9 ZINC PHOSPHATE COATING, BLACK.

THIS DRAWING IS A CONTROLLED DOCUMENT.		DWN	J. REITZEL	31 JUL 03	AMP Incorporated Harrisburg, PA 17105-3608
DIMENSIONS: INCH		CHK	S. BOLASH	31 JUL 03	
TOLERANCES UNLESS OTHERWISE SPECIFIED: 0 PLC ± 1 PLC ± 2 PLC ± 3 PLC ±.020 4 PLC ± ANGLES ±		APVD	M. WALMSLEY	31 JUL 03	
MATERIAL INSERT: 4		FINISH SHELLS & SHIELDS: 6		NAME	
SHELLS & SHIELDS: 3		JACKSCREWS: SEE TABLE		BULK KIT, PLUG, SHIELDING ENCLOSURE, SIZE 3, 25 POSN, AMPLIMITE™ HDP-20	
JACKSCREWS: SEE TABLE		CUSTOMER DRAWING		SIZE	A2
				CAGE CODE	00779
				DRAWING NO	1658659
				RESTRICTED TO	-
				SCALE	2:1
				SHEET	1 OF 1
				REV	0

1658659