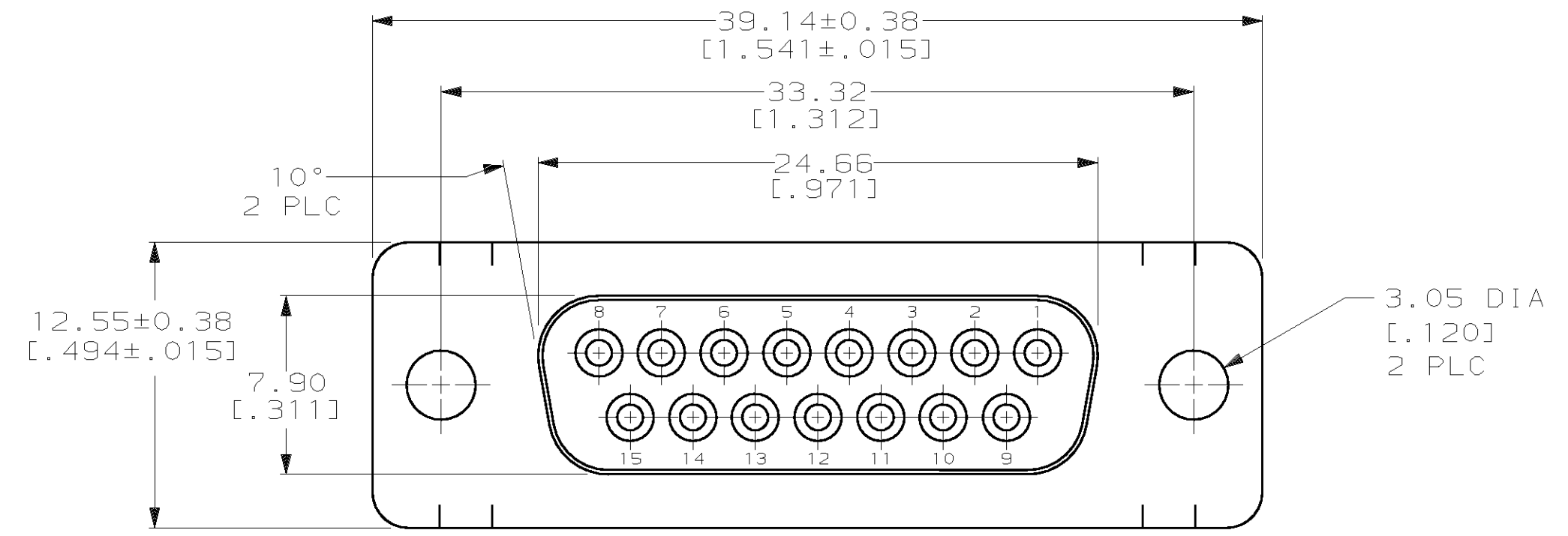
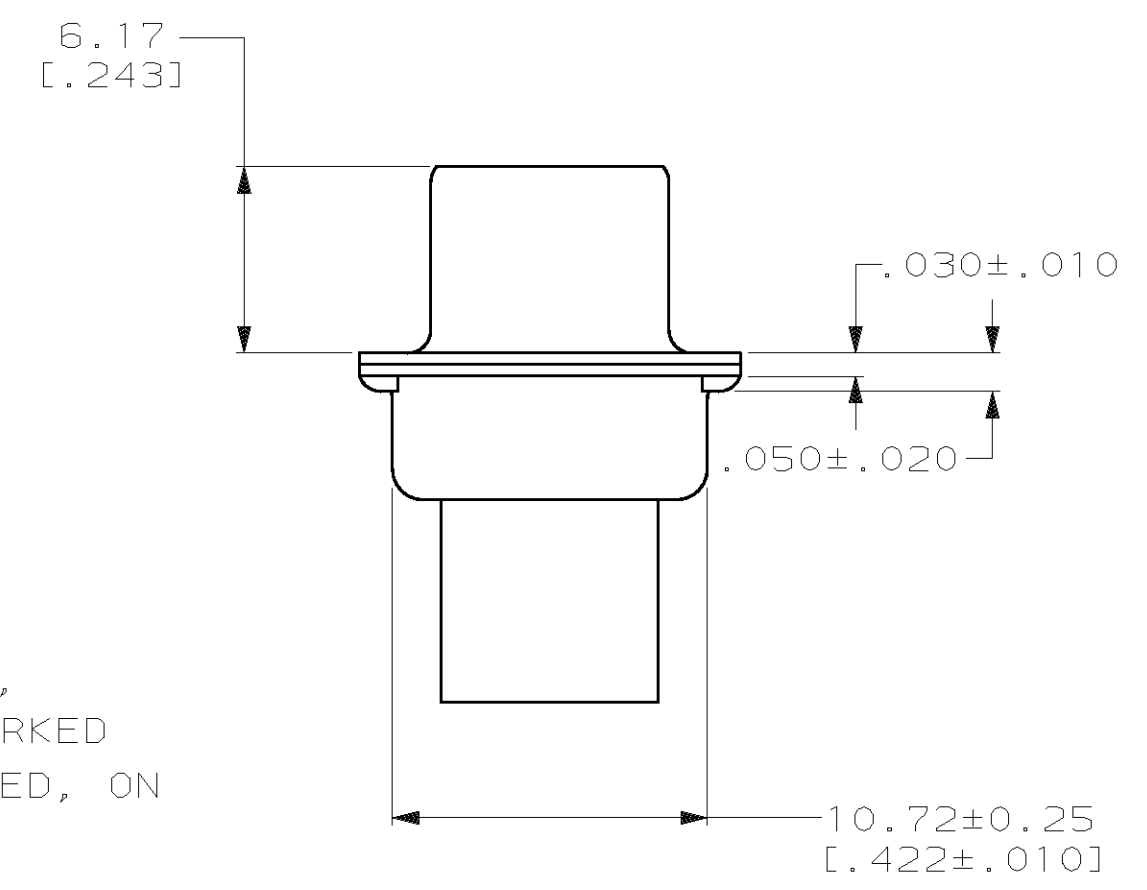
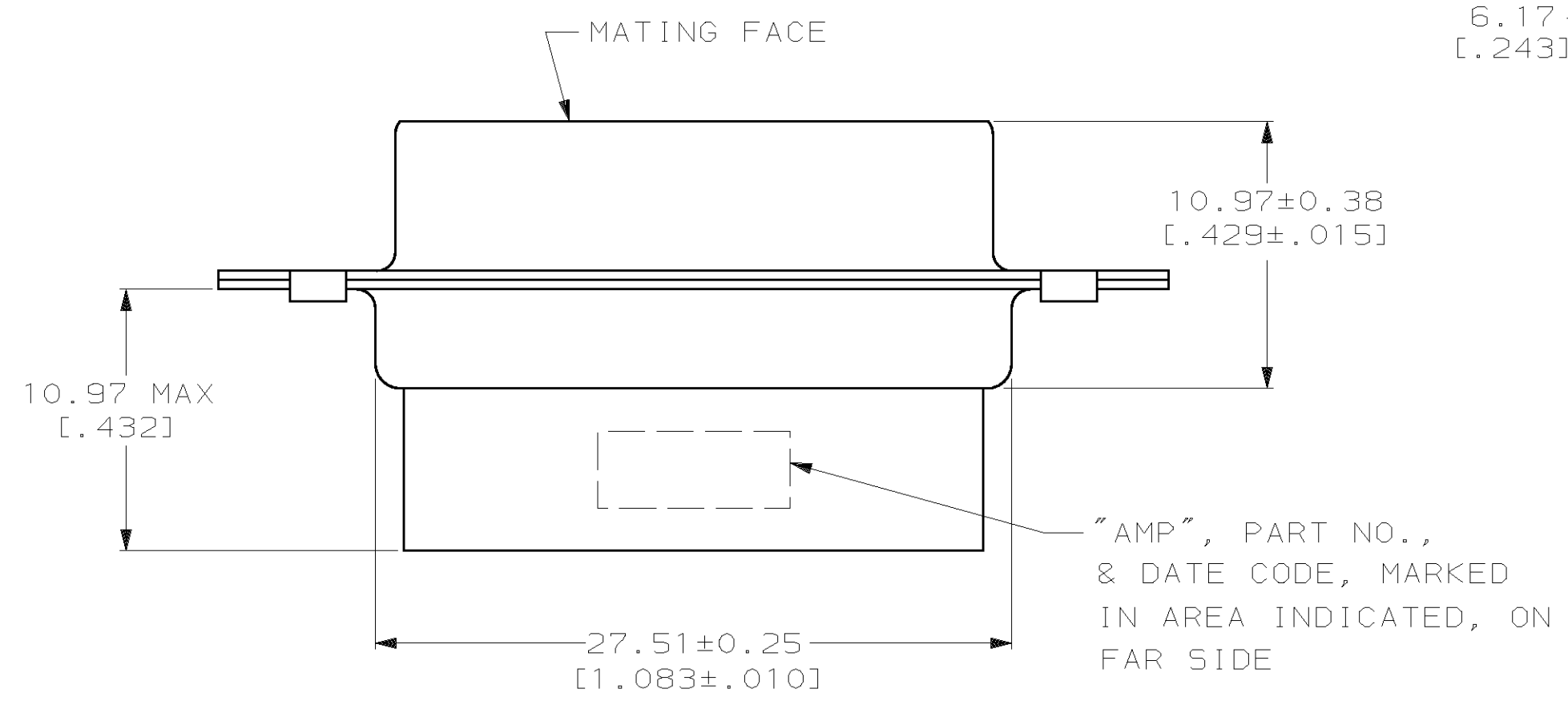


THIS DRAWING IS UNPUBLISHED. RELEASED FOR PUBLICATION
 BY AMP INCORPORATED. ALL RIGHTS RESERVED.

LOC	DIST	REVISIONS					
BD	48	P	LTR	DESCRIPTION	DATE	DWN	APVD
		H		REVISED PER EC 001D-0260-00	12 SEP 01	JR	JG



- CONNECTOR ACCEPTS SIZE 20 DF SOCKET CONTACTS, RETENTION TINES ARE AN INTEGRAL PART OF INSERT.
- CONNECTOR COMPLIES WITH 108-40005 WHERE APPLICABLE.
- NYLON, FLAME RETARDANT, 94V-0 RATED, GLASS FILLED, BLACK.
- STEEL PER ASTM A109.
- ZINC PLATED PER ASTM B633; TYPE II; CLASS SC1; YELLOW CHROMATE.
- TIN PLATED PER MIL-T-10727 OVER COPPER PER MIL-C-14550.



SUPERSEDED BY 205205-1	SMALL PACK	5	205205-5
	STANDARD	6	205205-2
	STANDARD	5	205205-1
	PACKAGING TYPE	SHELL FINISH	PART NO

THIS DRAWING IS A CONTROLLED DOCUMENT.		DWN	7-19-85	AMP Incorporated Harrisburg, PA 17105-3608
DIMENSIONS: mm [INCHES]		CHK	7-29-85	
TOLERANCES UNLESS OTHERWISE SPECIFIED:		APVD	7-31-85	
0 PLC ± 1 PLC ± 2 PLC ±0.13 [0.005] 3 PLC ± 4 PLC ± ANGLES ±2°		NAME		
MATERIAL MOLDED PARTS: 3 SHELLS: 4		PRODUCT SPEC		RCPT CONNECTOR, SIZE 2, 15 POSN, AMPLIMITE™, HDP
FINISH SHELLS: SEE TABLE		APPLICATION SPEC		SIZE CAGE CODE DRAWING NO RESTRICTED TO
CUSTOMER DRAWING		WEIGHT		A2 00779 C- 205205
		SCALE	4:1	SHEET 1 OF 1 REV H

205205