

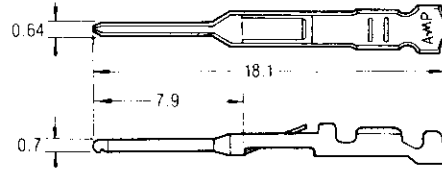
Wire to Board Connectors

Economy Interconnection (EI) Series Connectors

Standard Type Pin Contacts

Material and Finish :

Pre-Tin Brass
Pre-Tin Phosphor Bronze of Phosphor Bronze



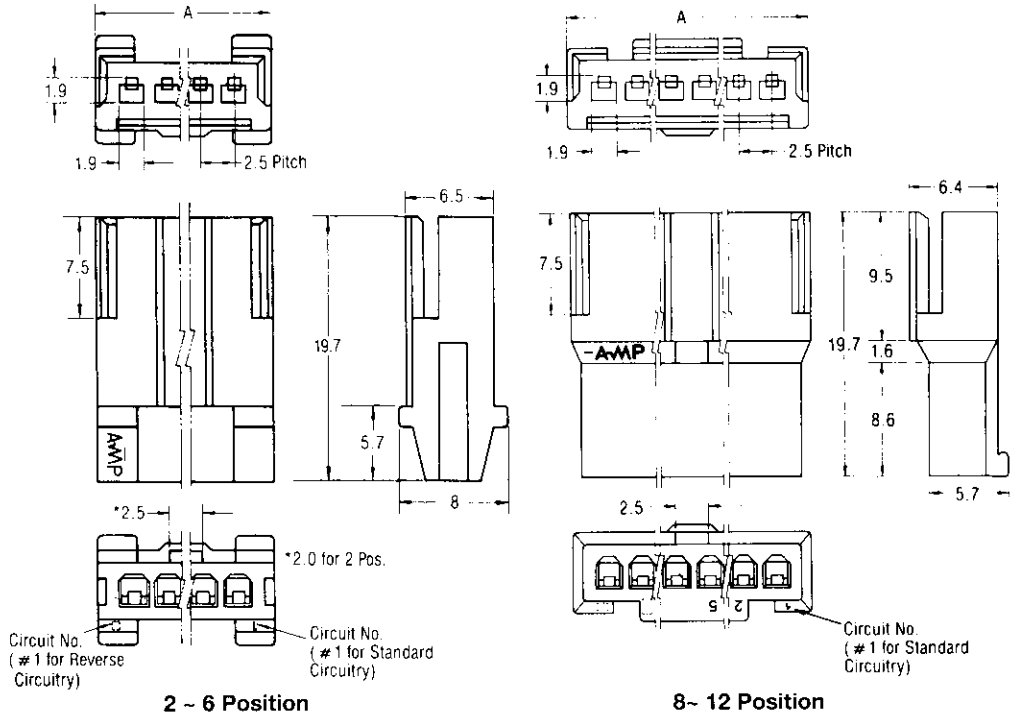
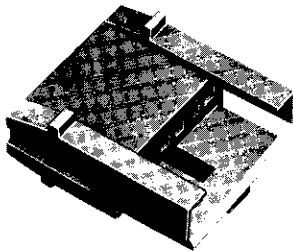
Wire Size		Wire Ins. Dia.	Contact Part No.					
AWG	mm ²		Brass/Pre-Tin		Phos. Brz./Pre-Tin		Phos. Brz./Gold over Nickel*	
			S.T.	L.P.	S.T.	L.P.	S.T.	L.P.
30-26	0.05~0.15	1.0~1.4	170377-1	170430-1	170377-2	170430-2	170377-3	170430-3
26-20	0.14~0.52	1.1~1.9	170376-1	170429-1	170376-2	170429-2	170376-3	170429-3

*Phosphor Bronze, 0.38μm max. Gold on mating end with Nickel under-plated.
Hand Tool No. : 91570-1 (for AWG #30-26), 91566-1 (408-8547) (for AWG #26-20)
Extraction Tool No. : 724762-1

Free Hanging Style Cap Housings

Material :

94V-0 rated, 66 Nylon
See chart for color



No. of Pos.	Dimensions	Part No. of Cap Housing					
		For Standard Circuit			For Reverse Circuit		
		Natural	Black	Blue	Natural	Black	Blue
2	7.9	172211-2	2-172211-2	4-172211-2	172212-2	2-172212-2	4-172212-2
3	10.4	172211-3	2-172211-3	4-172211-3	172212-3	2-172212-3	4-172212-3
4	12.9	172211-4	2-172211-4	4-172211-4	172212-4	2-172212-4	4-172212-4
5	15.4	172211-5	2-172211-5	4-172211-5	172212-5	2-172212-5	4-172212-5
6	17.9	172211-6	2-172211-6	4-172211-6	172212-6	2-172212-6	4-172212-6
8	22.7	172211-8	2-172211-8	-	-	-	-
10	27.7	1-172211-0	-	-	-	-	-
12	32.7	1-172211-2	-	-	-	-	-

Note : Cap housing for standard circuitry P/N 172211 mates with receptacle housing for standard circuitry P/N 171822
Cap housing for reverse circuitry P/N 172212 mates with receptacle housing for reverse circuitry P/N 171880

4