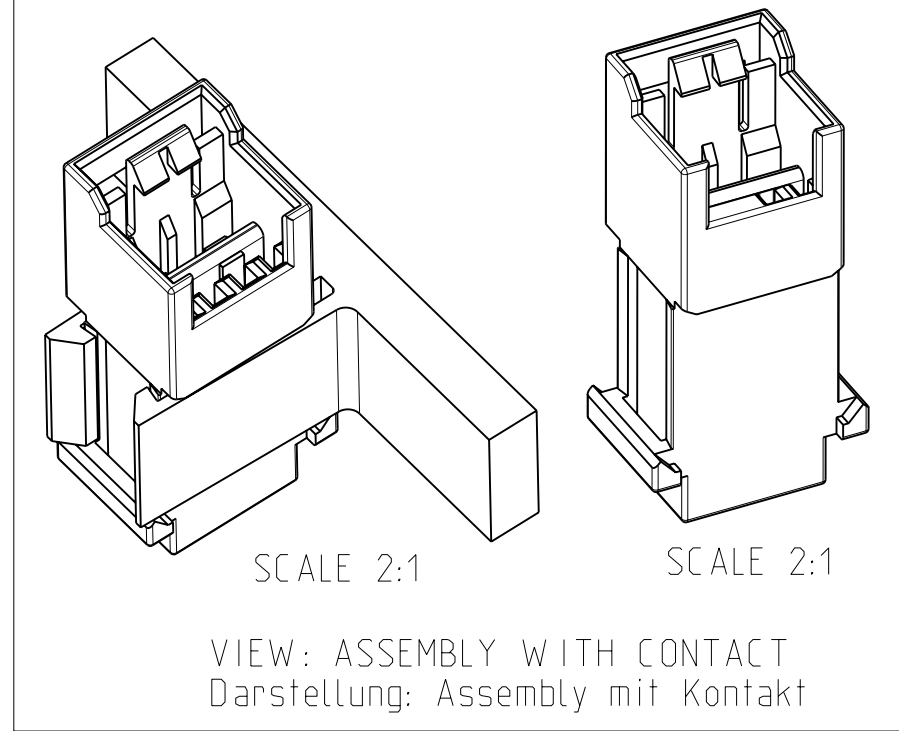
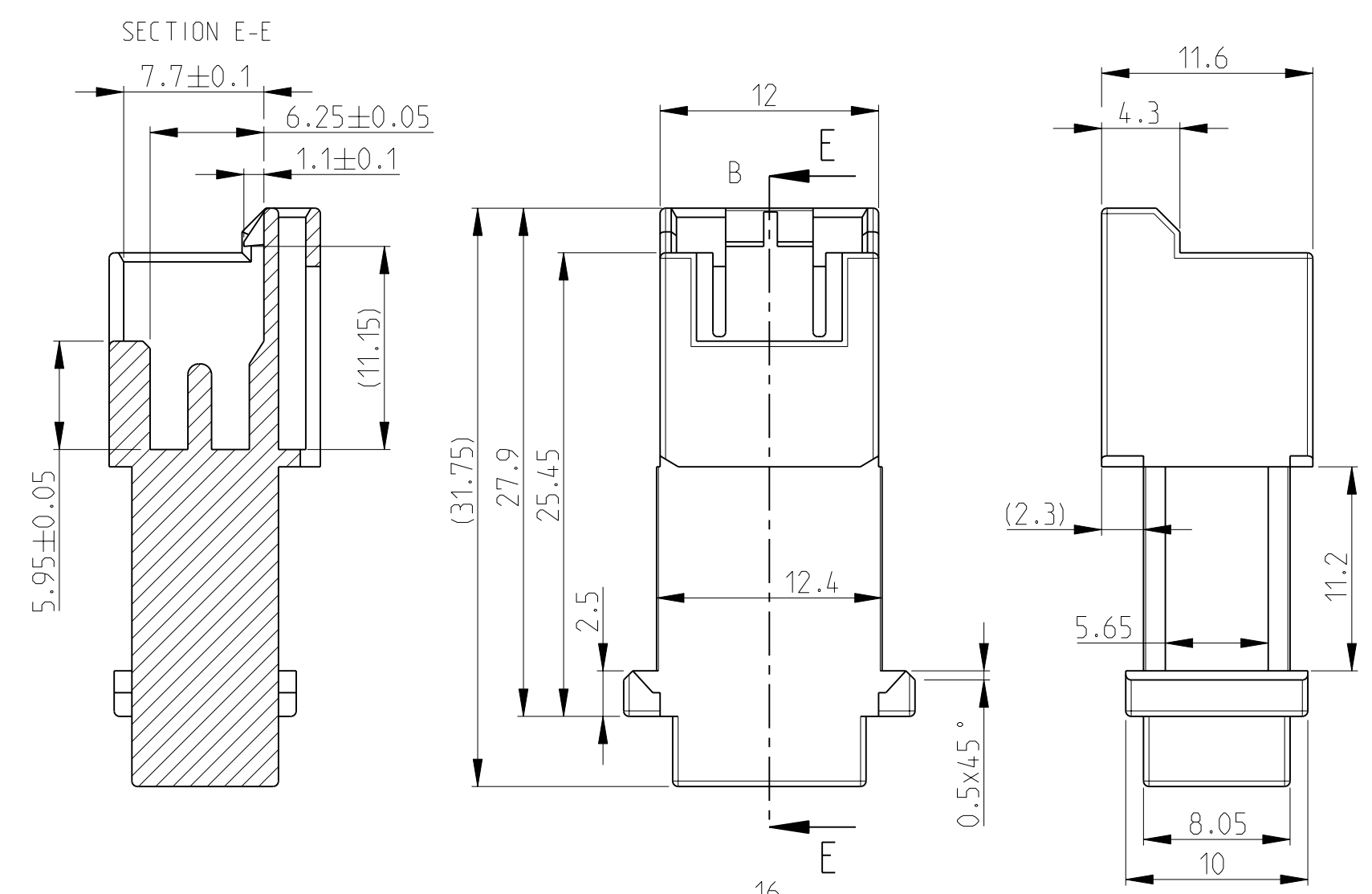
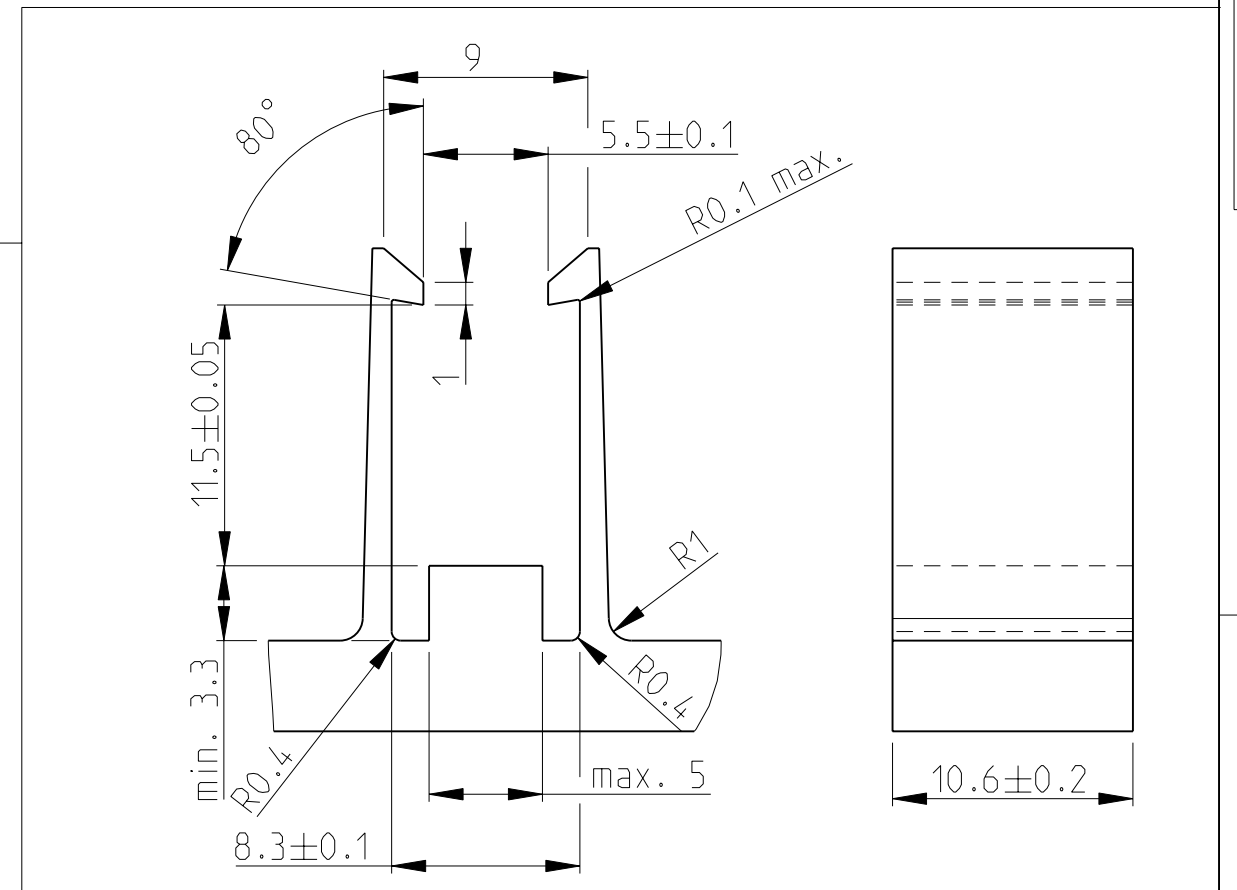
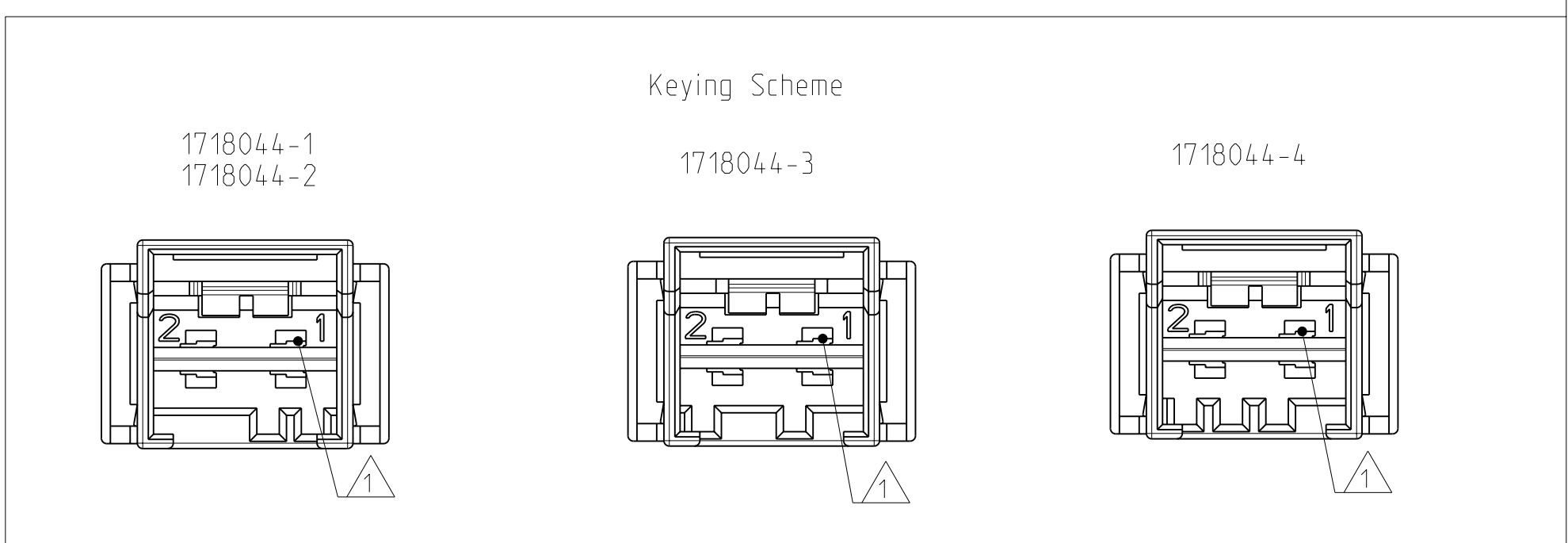
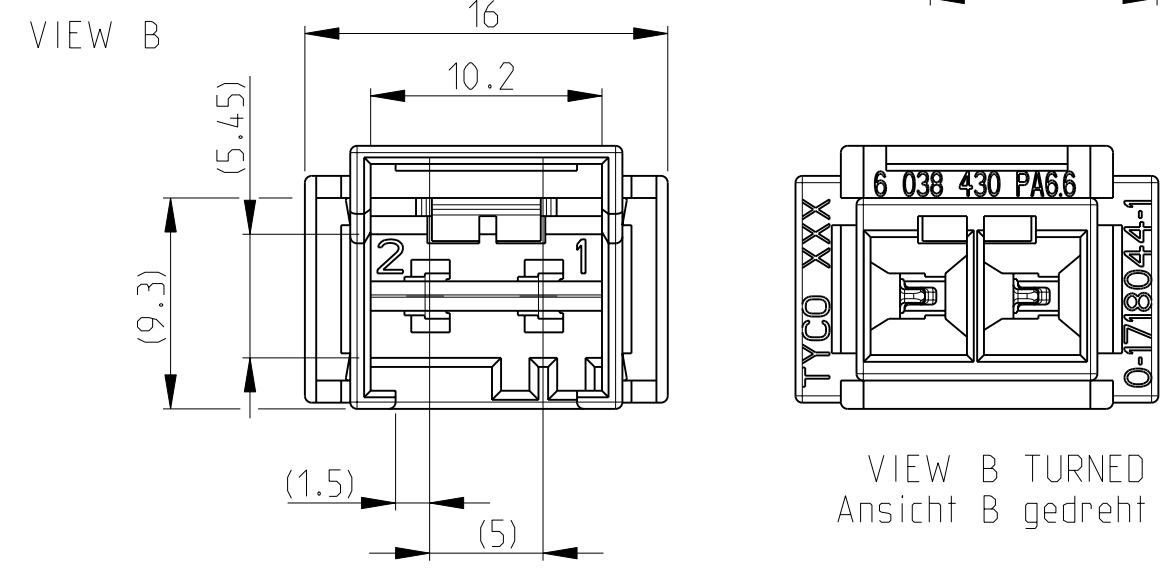
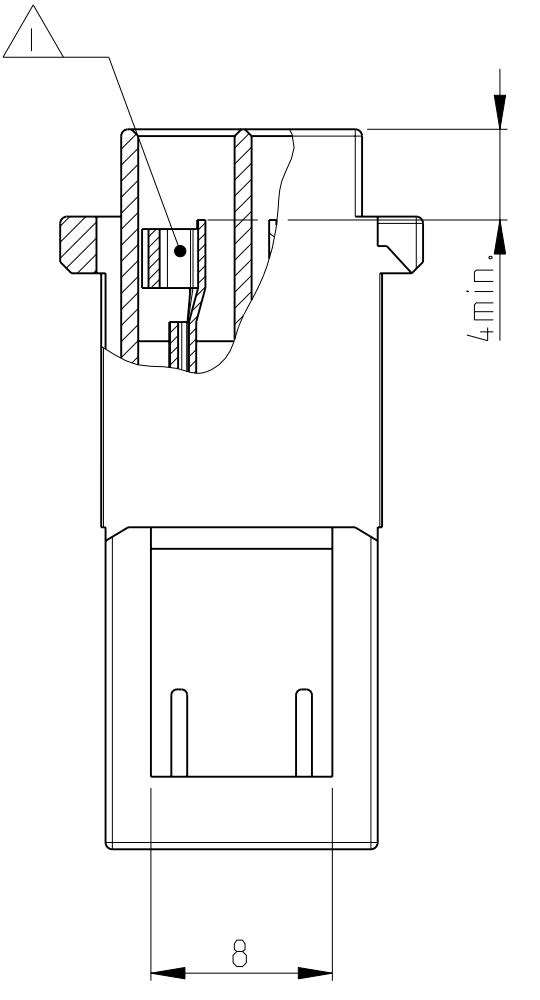


THIS DRAWING IS UNPUBLISHED. RELEASED FOR PUBLICATION 2003
 © COPYRIGHT 2003 BY TYCO ELECTRONICS CORPORATION. ALL RIGHTS RESERVED.

LOC		DIST		REVISIONS			
P	LTR	DESCRIPTION	DATE	DWN	APVD		
A1	-	B5	Released as per ECR-10-021983	26OCT2010	C.J	PK.S	



- NOTE
- 1 CAVITY DESIGNED FOR TAB CONTACT NO. 284798-1 0.5 mm² - 0.75 mm² (20 - 18 AWG) OR 293322-1 FOR WIRE RANGE 0.3 - 0.8 mm² (22 - 18 AWG)
 Kammer ausgelegt fuer Tab Kontakt Nr.284798-1 0.5 mm² (2x)- 0.75 mm² (20 - (2x) 18 AWG) OR 293322-1 für Drahtstrecke 0.3 - 0.8 mm² (22 - 18 AWG)
 - 2 RECOMMENDED MATING CONNECTOR FAMILIES INCLUDE DUO-PLUG MK II AND DUO-PLUG POWER
 SEE TABLE FOR RIB REMOVAL FOR MATING CONNECTOR
 - 3 IEC 60695-2-11 / IEC 60335-1 GLOW WIRE TEST 750 °C WITHOUT FLAME
 IEC 60659-2-11 / IEC 60335-1 Gluehdrahttest 750 °C ohne Flamme
 - 4 KEYING PATTERN: SEE TABLE
 befestigendes Muster sehen Tabelle



THE LOCKING HOOK PART IS NOT INCLUDED. INFORMATION FOR REFERENCE ONLY.
 Die Rasthaken sind nicht Auftragsbestandteil. Die Angaben dienen lediglich als Beispiel.

a	b,c,d	NATURE, SIMILAR RAL 9010 Natur, aehnlich RAL 9010	PA 6 UL94 V-2	0-1718044-4
a,c	b,d	NATURE, SIMILAR RAL 9010 Natur, aehnlich RAL 9010	PA 6 UL94 V-2	0-1718044-3
c,d	a,b	NATURE, SIMILAR RAL 9010 Natur, aehnlich RAL 9010	PA 6 UL94 V-2	0-1718044-2
c,d	a,b	NATURE Natur	PA 6.6 UL94 V-2	0-1718044-1
MATING CONNECTOR	KEYING	COLOUR/Farbe	MATERIAL	PN/Bestell-Nr.

THIS DRAWING IS A CONTROLLED DOCUMENT FOR TYCO ELECTRONICS CORPORATION IT IS SUBJECT TO CHANGE AND THE CONTROLLING ENGINEERING ORGANIZATION SHOULD BE CONTACTED FOR THE LATEST REVISION.		DWN GERLACH 29SEP2003	Tyco Electronics Tyco Electronics AMP GmbH D - 64625 Bensheim	
DIMENSIONS: mm		CHK SCHNAUBELT 29SEP2003	NAME 2 POSN. TABHEADER HOUSING FOR DUOPLUG CONNECTOR	
TOLERANCES UNLESS OTHERWISE SPECIFIED: 0 PLC ± 1 PLC ±0.1 2 PLC ±0.05 3 PLC ± 4 PLC ± ANGLES ± FINISH ±		APVD KLENNER 29SEP2003	SIZE A2	
MATERIAL SEE TABLE		PRODUCT SPEC -	CAGE CODE 00779	DRAWING NO 1718044
		APPLICATION SPEC -	RESTRICTED TO -	
		WEIGHT -	SCALE 3:1	SHEET 1 OF 1
		CUSTOMER DRAWING	REV B5	