

Distributed by:

JAMECO[®]
ELECTRONICS

www.Jameco.com ♦ 1-800-831-4242

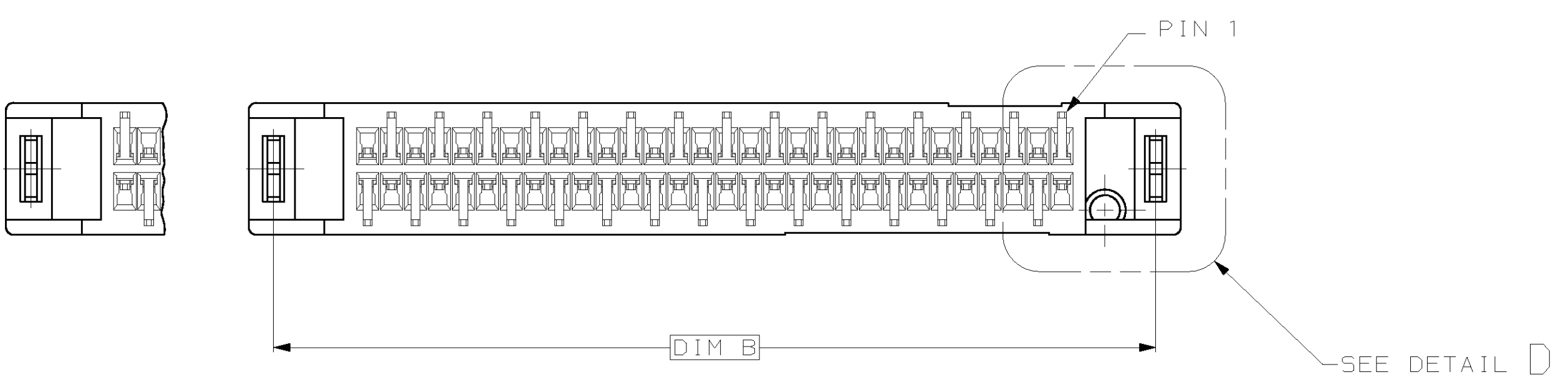
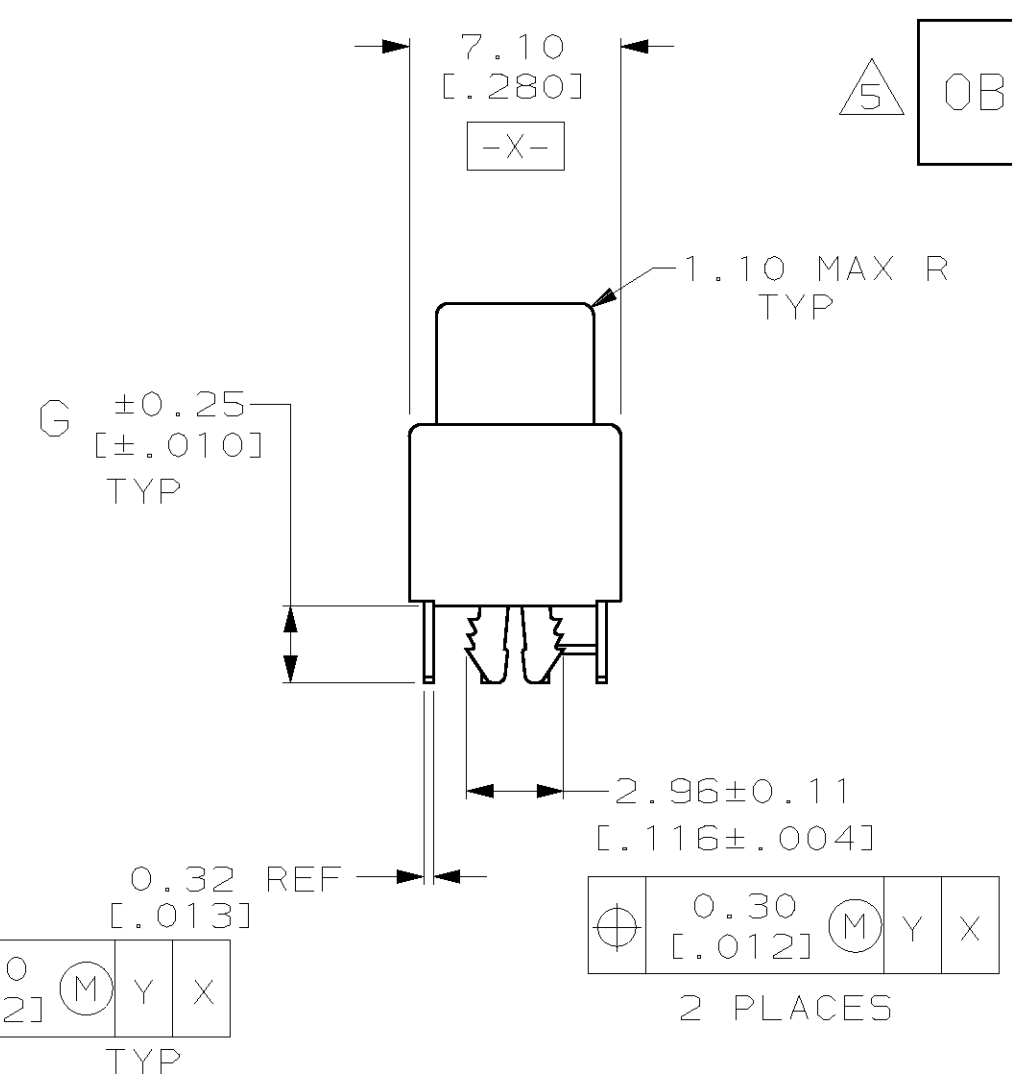
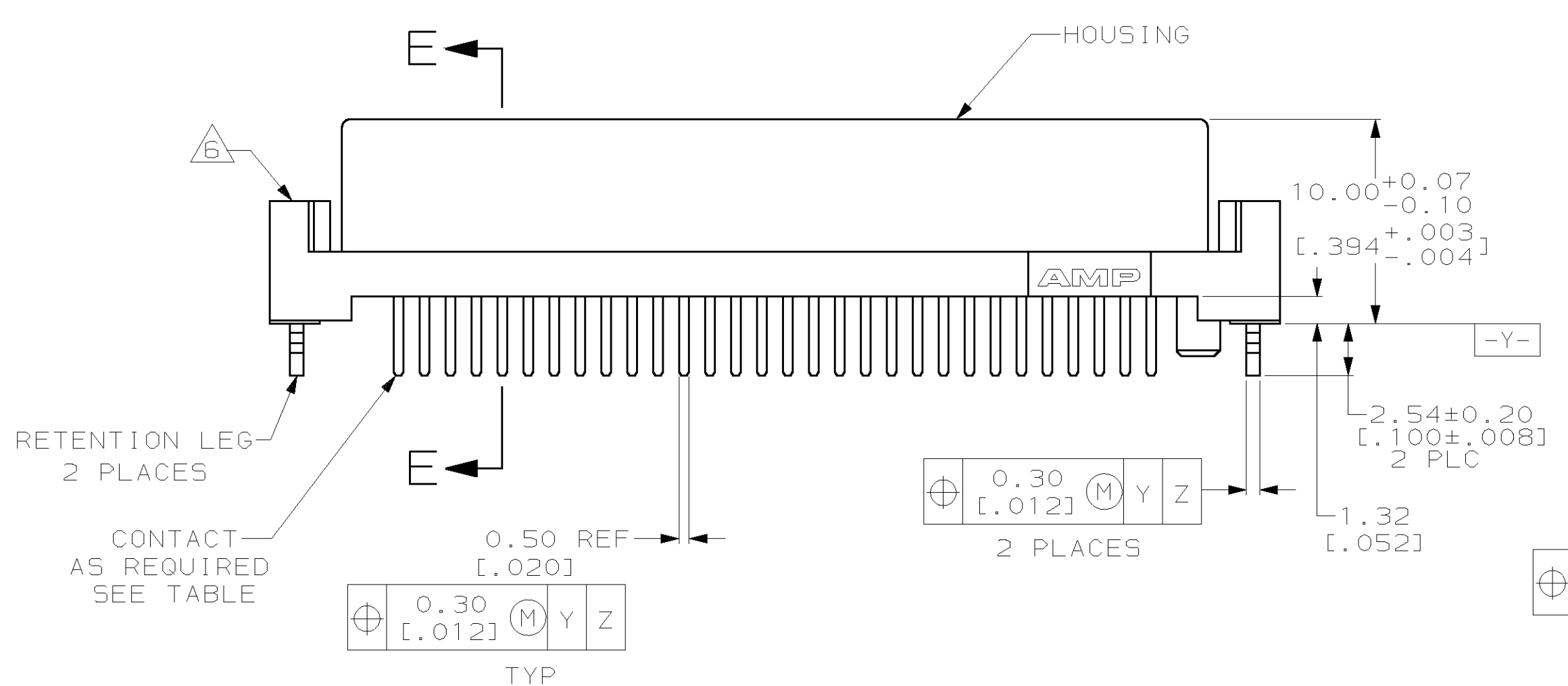
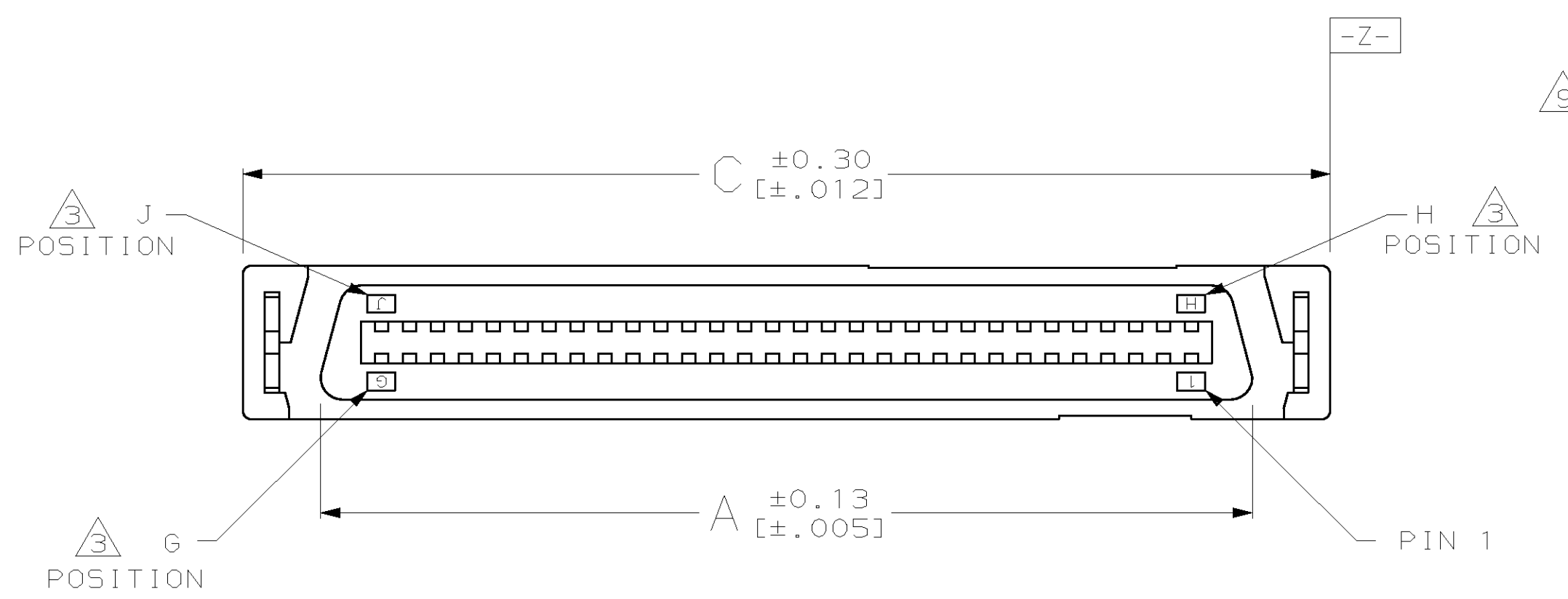
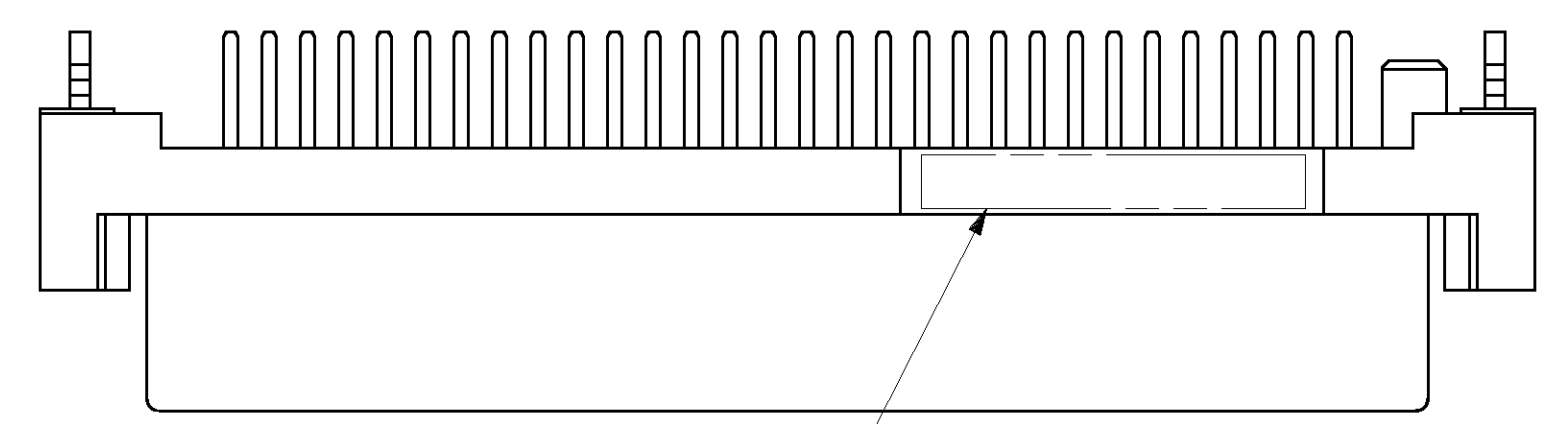
The content and copyrights of the attached
material are the property of its owner.

Jameco Part Number 910899

LOC		DIST		P		F		ZONE		LTR		REVISIONS		DATE	APPD
DW	00												REVISED PER EC 0513-0432-03	05JAN04	JG

1 MATERIALS:
 HOUSING- PPA RESIN, BLACK,
 MOLDING COMPOUND.
 CONTACTS- PHOSPHOR BRONZE PLATED WITH
 MINIMUM THICK (SEE TABLE) GOLD IN CONTACT
 AREA AND 3.8µm [.000150] MINIMUM THICK
 TIN-LEAD ON SOLDER TINES OVER 1.27µm
 [.000050] MINIMUM THICK NICKEL UNDERPLATE.
 RETENTION LEG- BRASS PLATED WITH 3.8µm
 [.000150] MINIMUM TIN-LEAD OVER 1.3µm
 [.000051] MINIMUM NICKEL UNDERPLATE.

- 2 G, J, AND H INDICATE NUMBER OF POSITION MARKED ON ASSEMBLY. ALSO SEE TABLE.
- 3 ALL DIMENSIONS SHOWN ARE MAXIMUM UNLESS OTHERWISE SPECIFIED.
- 4. 60 POSITION AS SHOWN.
- 5 RETENTION LEGS NOT PRESENT.
- 6 TOP OF RETENTION LEG MAY NOT PROTRUDE ABOVE THIS SURFACE.
- 7 HOUSING BOW UP TO 0.30 [.012] ALLOWED.
- 8 CONNECTOR WILL ACCOMMODATE MATING PRINTED CIRCUIT BOARD OF 1.6±0.07 [.063±.003] THICKNESS.
- 9 PRELIMINARY - NOT RELEASED FOR PRODUCTION.



PCB THICKNESS	G	F	C	B	A	G	J	H	GOLD	POSN	PART NO
2.36 [.093]	3.40 [.134]	38.53 [1.517]	49.45 [1.947]	46.81 [1.843]	42.37 [1.668]	30	60	31	0.00076 [.000030]	60	5-557103-2
2.36 [.093]	2.54 [.100]	43.61 [1.717]	54.53 [2.147]	51.89 [2.043]	47.45 [1.868]	34	68	35	0.00076 [.000030]	68	5-557103-1
2.36 [.093]	3.30 [.130]	32.18 [1.267]	43.10 [1.697]	40.46 [1.593]	36.02 [1.418]	25	50	26	0.00076 [.000030]	50	5-577103-0
2.36 [.093]	3.30 [.130]	76.63 [3.017]	87.55 [3.447]	84.91 [3.343]	80.47 [3.168]	60	120	61	0.00076 [.000030]	120	4-557103-9
2.36 [.093]	3.30 [.130]	127.43 [5.017]	138.35 [5.447]	135.71 [5.343]	131.27 [5.168]	100	200	101	0.00076 [.000030]	200	4-557103-2
0.8-1.6 [.031-.063]	2.54 [.100]	127.43 [5.017]	138.35 [5.447]	135.71 [5.343]	131.27 [5.168]	100	200	101	0.00076 [.000030]	200	4-557103-1
0.8-1.6 [.031-.063]	2.54 [.100]	102.03 [4.017]	112.95 [4.447]	110.31 [4.343]	105.87 [4.168]	80	160	81	0.00076 [.000030]	160	3-557103-7
0.8-1.6 [.031-.063]	2.54 [.100]	82.98 [3.267]	93.90 [3.697]	91.26 [3.593]	86.82 [3.418]	65	130	66	0.00076 [.000030]	130	3-557103-3
0.8-1.6 [.031-.063]	2.54 [.100]	76.63 [3.017]	87.55 [3.447]	84.91 [3.343]	80.47 [3.168]	60	120	61	0.00076 [.000030]	120	2-557103-9
2.36 [.093]	3.30 [.130]	63.93 [2.517]	74.85 [2.947]	72.21 [2.843]	67.77 [2.668]	50	100	51	0.00076 [.000030]	100	2-557103-7
0.8-1.6 [.031-.063]	2.54 [.100]	63.93 [2.517]	74.85 [2.947]	72.21 [2.843]	67.77 [2.668]	50	100	51	0.00076 [.000030]	100	2-557103-6
0.8-1.6 [.031-.063]	2.54 [.100]	63.93 [2.517]	74.85 [2.947]	72.21 [2.843]	67.77 [2.668]	50	100	51	0.00076 [.000030]	100	2-557103-5
2.36 [.093]	3.30 [.130]	51.23 [2.017]	62.15 [2.447]	59.51 [2.343]	55.07 [2.168]	40	80	41	0.00076 [.000030]	80	2-557103-3
0.8-1.6 [.031-.063]	2.54 [.100]	51.23 [2.017]	62.15 [2.447]	59.51 [2.343]	55.07 [2.168]	40	80	41	0.00076 [.000030]	80	2-557103-2
0.8-1.6 [.031-.063]	2.54 [.100]	51.23 [2.017]	62.15 [2.447]	59.51 [2.343]	55.07 [2.168]	40	80	41	0.00076 [.000030]	80	2-557103-1
0.8-1.6 [.031-.063]	2.54 [.100]	43.61 [1.717]	54.53 [2.147]	51.89 [2.043]	47.45 [1.868]	34	68	35	0.00076 [.000030]	68	1-557103-7
0.8-1.6 [.031-.063]	2.54 [.100]	43.61 [1.717]	54.53 [2.147]	51.89 [2.043]	47.45 [1.868]	34	68	35	0.00076 [.000030]	68	1-557103-3
0.8-1.6 [.031-.063]	2.54 [.100]	32.18 [1.267]	43.10 [1.697]	40.46 [1.593]	36.02 [1.418]	25	50	26	0.00076 [.000030]	50	557103-9
0.8-1.6 [.031-.063]	2.54 [.100]	25.83 [1.017]	36.75 [1.447]	34.11 [1.343]	29.67 [1.168]	20	40	21	0.00076 [.000030]	40	557103-5
0.8-1.6 [.031-.063]	2.54 [.100]	-	30.40 [1.197]	27.96 [1.101]	23.32 [.918]	15	30	16	0.00076 [.000030]	30	557103-1

9 SUPERSEDED BY 3-786925-3

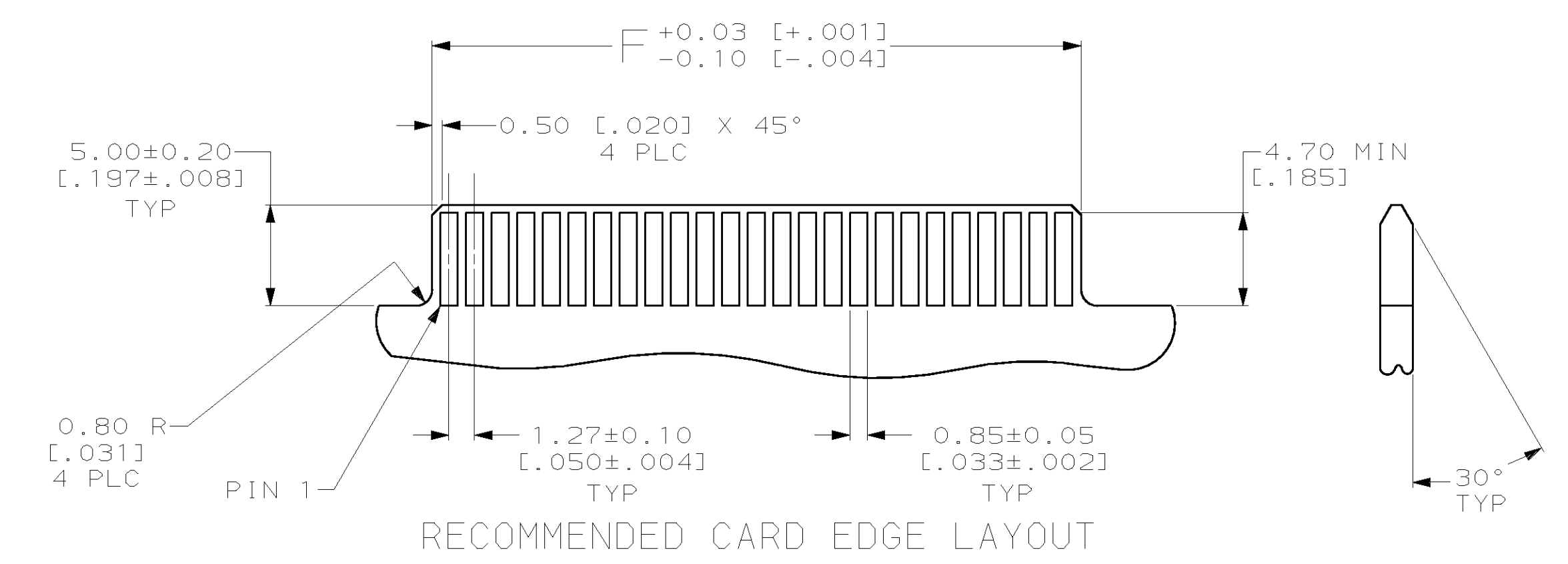
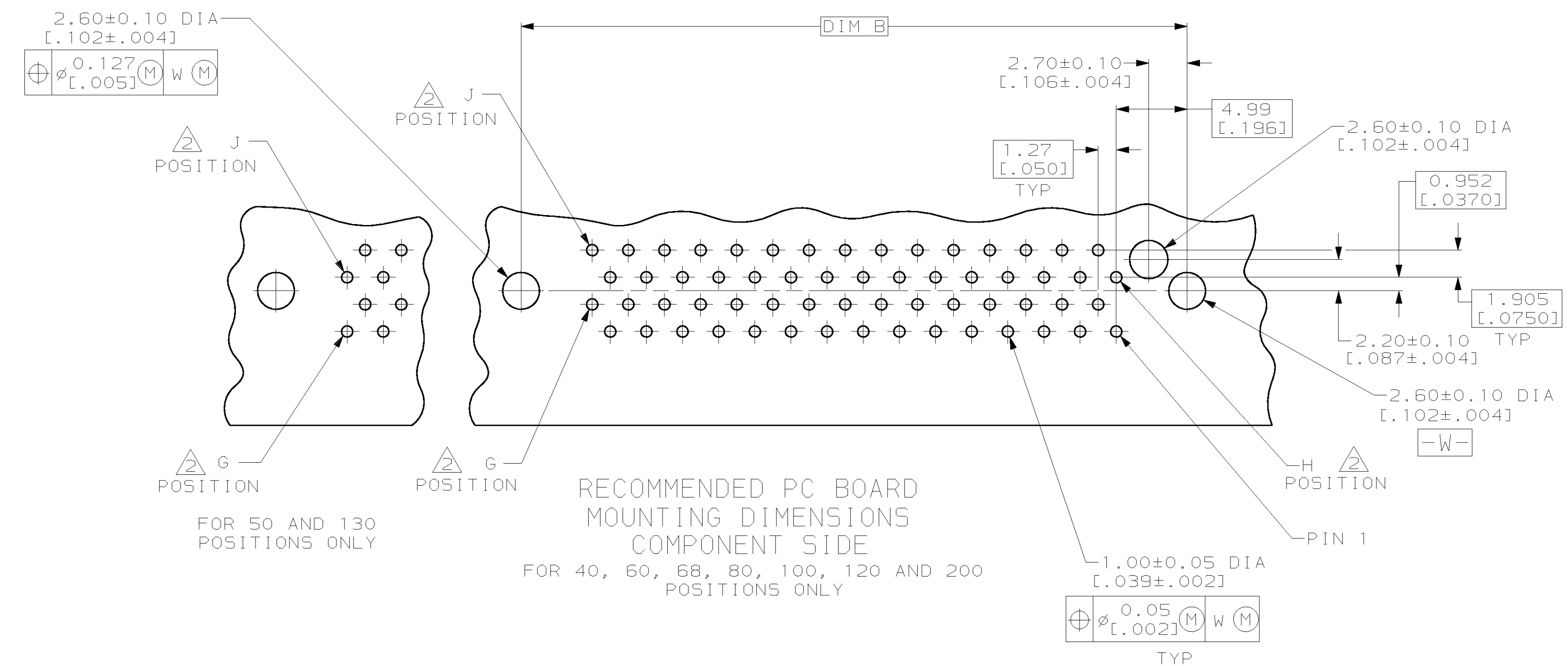
5 OBSOLETE

DO NOT SCALE PRINT.
 UNLESS SPECIFIED
 DIMENSIONS IN mm [INCHES]
 TOLERANCES ON:
 2 PLC DEC ±
 3 PLC DEC ±
 ANGLES ±

DR 8-25-89
 A.HOLT
 CHK 10-3-89
 N.JONES
 APPD 12-4-89
 T.PIZZULO
 APPD 12-4-89
 J.B.WILKERSON
 PRODUCT SPEC
 108-1367
 APPLICATION SPEC
 114-6045
 WEIGHT

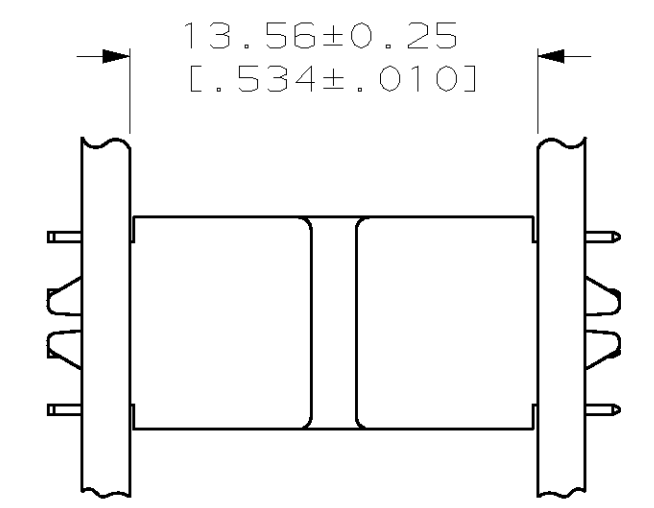
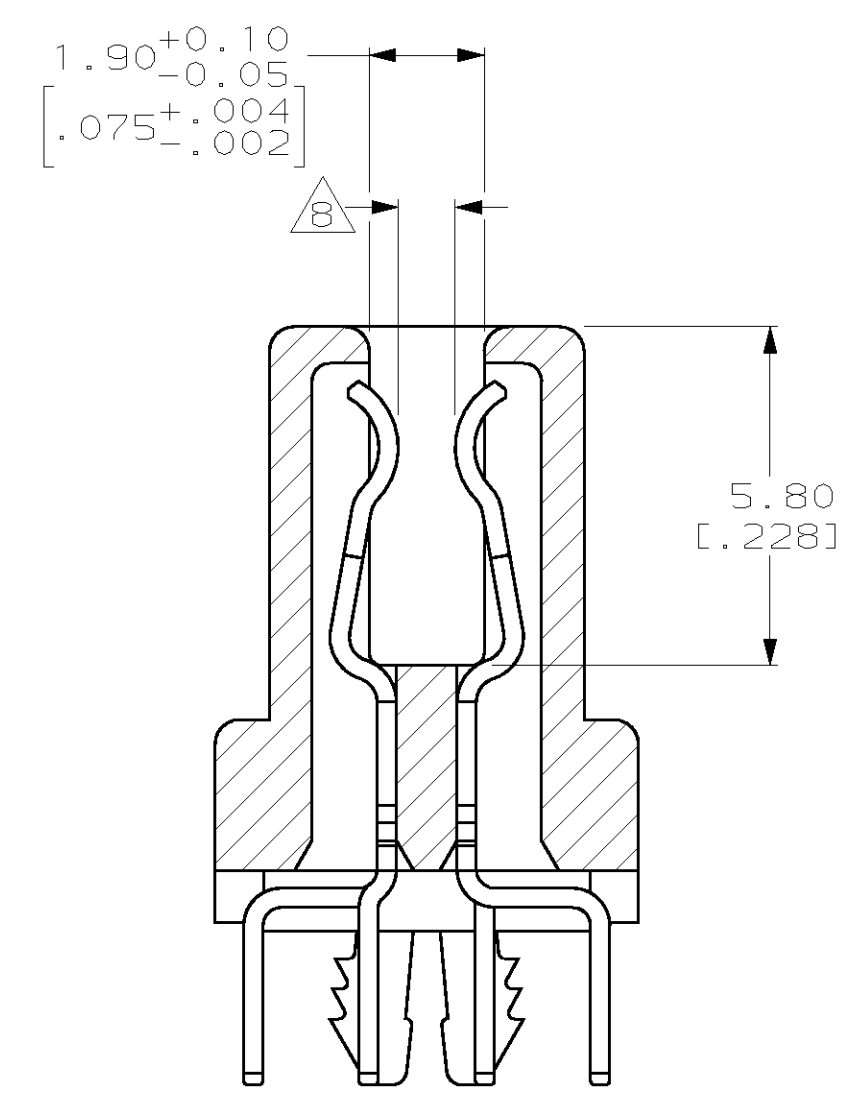
AMP AMP INCORPORATED
 Harrisburg, Pa. 17105
 NAME
 RECEPTACLE ASSEMBLY, VERTICAL,
 BOARD TO BOARD, CHAMP™ .050,
 SERIES I
 SIZE D
 CAGE CODE 00779
 DRAWING NO 557103
 SCALE 4:1
 SHEET 1 OF 2

LOC		DIST		P		F		ZONE		LTR		REVISIONS		
DATE	APPD	DESCRIPTION												
DW	00												AN	SEE SHEET 1

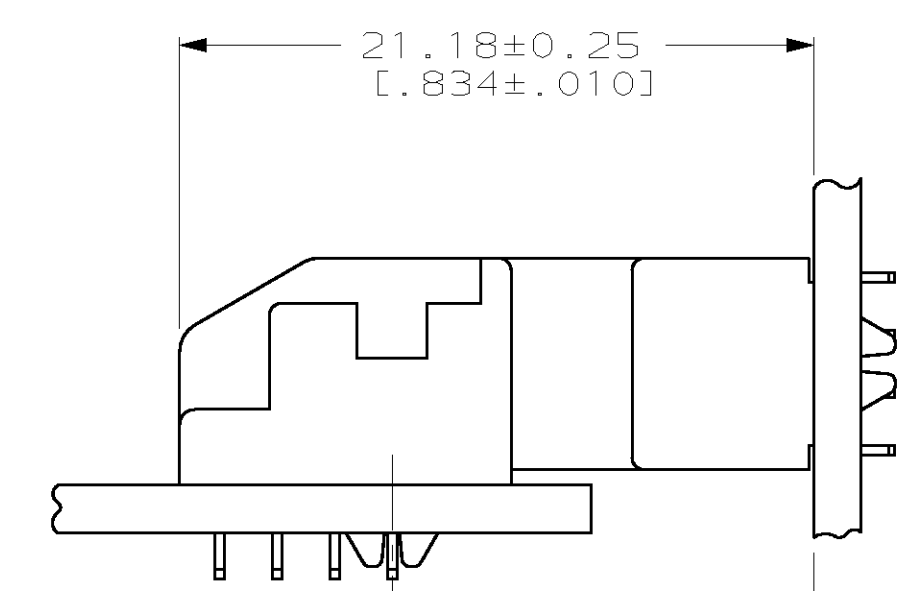


FOR 50 AND 130 POSITIONS ONLY

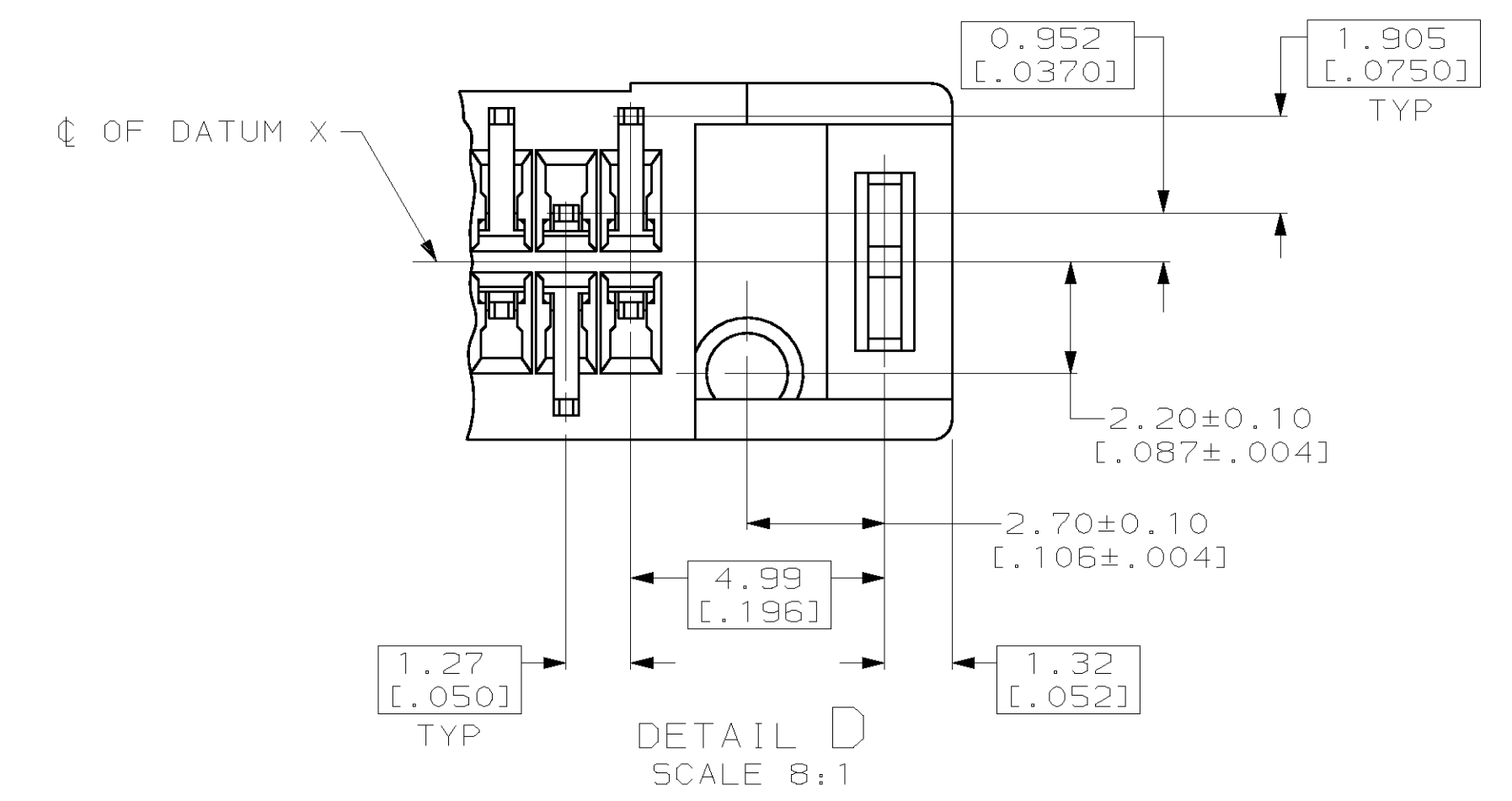
RECOMMENDED PC BOARD MOUNTING DIMENSIONS COMPONENT SIDE FOR 40, 60, 68, 80, 100, 120 AND 200 POSITIONS ONLY



VERTICAL RECEPTACLE ASSEMBLY MATED TO VERTICAL PLUG ASSEMBLY



VERTICAL RECEPTACLE ASSEMBLY MATED TO RIGHT ANGLE PLUG ASSEMBLY



DETAIL D SCALE 8:1

DO NOT SCALE PRINT. UNLESS SPECIFIED DIMENSIONS IN mm [INCHES]		DR 8-25-89 A.HOLT		PART NO	
TOLERANCES ON:		CHK 10-3-89 N.JONES			
2 PLC DEC ± -		APPD 12-4-89 T.PIZZULO			
3 PLC DEC ± -		APPD 12-4-89 J.B.WILKERSON			
ANGLES ± -		PRODUCT SPEC -			
MATERIAL -		APPLICATION SPEC -	SIZE D	CAGE CODE 00779	DRAWING NO 557103
FINISH -		WEIGHT -	SCALE 4:1	SHEET 2 OF 2	

AMP AMP INCORPORATED
 Harrisburg, Pa. 17105

NAME
 RECEPTACLE ASSEMBLY, VERTICAL,
 BOARD-TOBOARD, CHAMP™ .050,
 SERIES 1