

4

3

2

1

THIS DRAWING IS UNPUBLISHED.

RELEASED FOR PUBLICATION

-. - .

© COPYRIGHT BY TYCO ELECTRONICS CORPORATION. ALL RIGHTS RESERVED.

LOC

DIST

REVISIONS

P

LTR

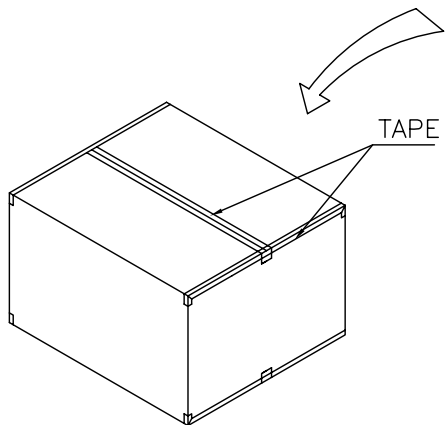
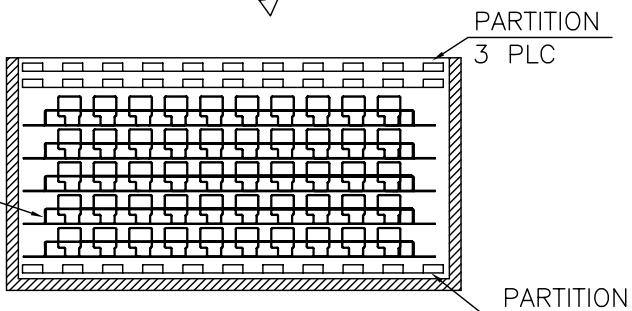
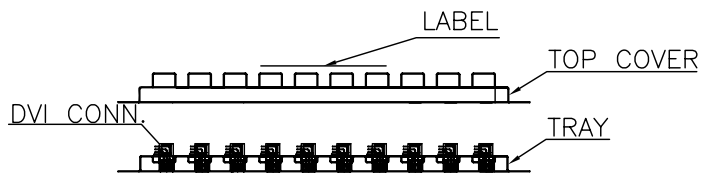
DESCRIPTION

DATE

DWN

APVD

SEE SHEET 1.



3.55 Kg	2.63 Kg	70	5	350 PCS
GROSS WEIGHT	NET WEIGHT	PCS/TRAY	TRAYS /BOX	QUANTITY

THIS DRAWING IS A CONTROLLED DOCUMENT.

DIMENSIONS: MM 	TOLERANCES UNLESS OTHERWISE SPECIFIED: 0 PLC ± - 1 PLC ± - 2 PLC ± - 3 PLC ± - 4 PLC ± - ANGLES ± -		DWN CHK APVD PRODUCT SPEC APPLICATION SPEC WEIGHT	Tyco Electronics Tyco Electronics Corporation Taipei, Taiwan NAME DVI-I ANALOG & DIGITAL CONN., RCPT. RIGHT-ANGLE
	MATERIAL FINISH	SIZE A3	CAGE CODE 00779	DRAWING NO C=1734148

CUSTOMER DRAWING