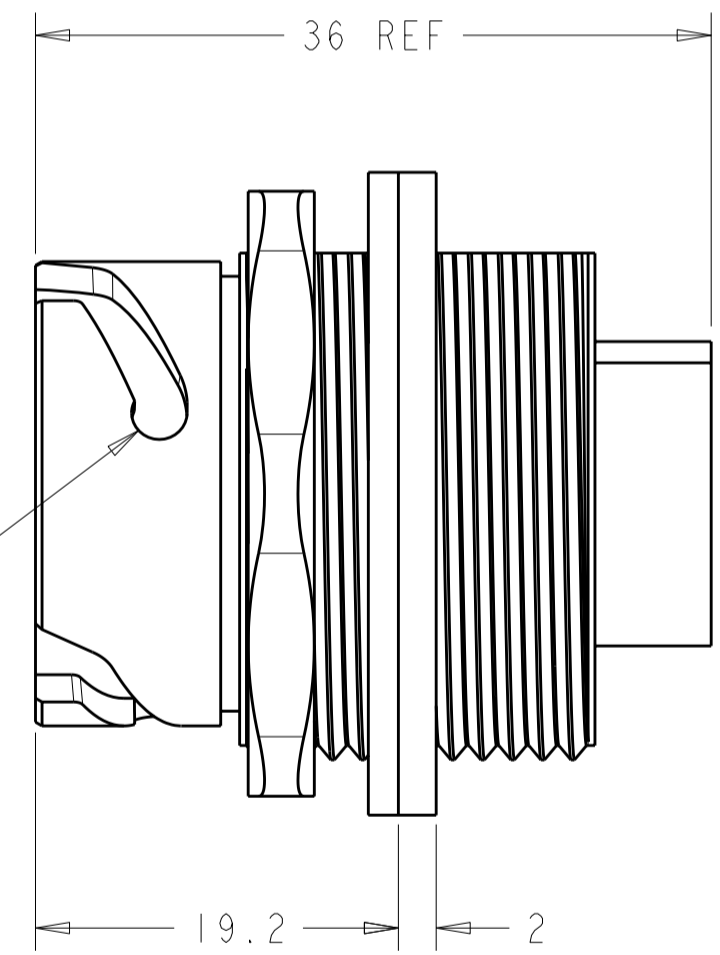
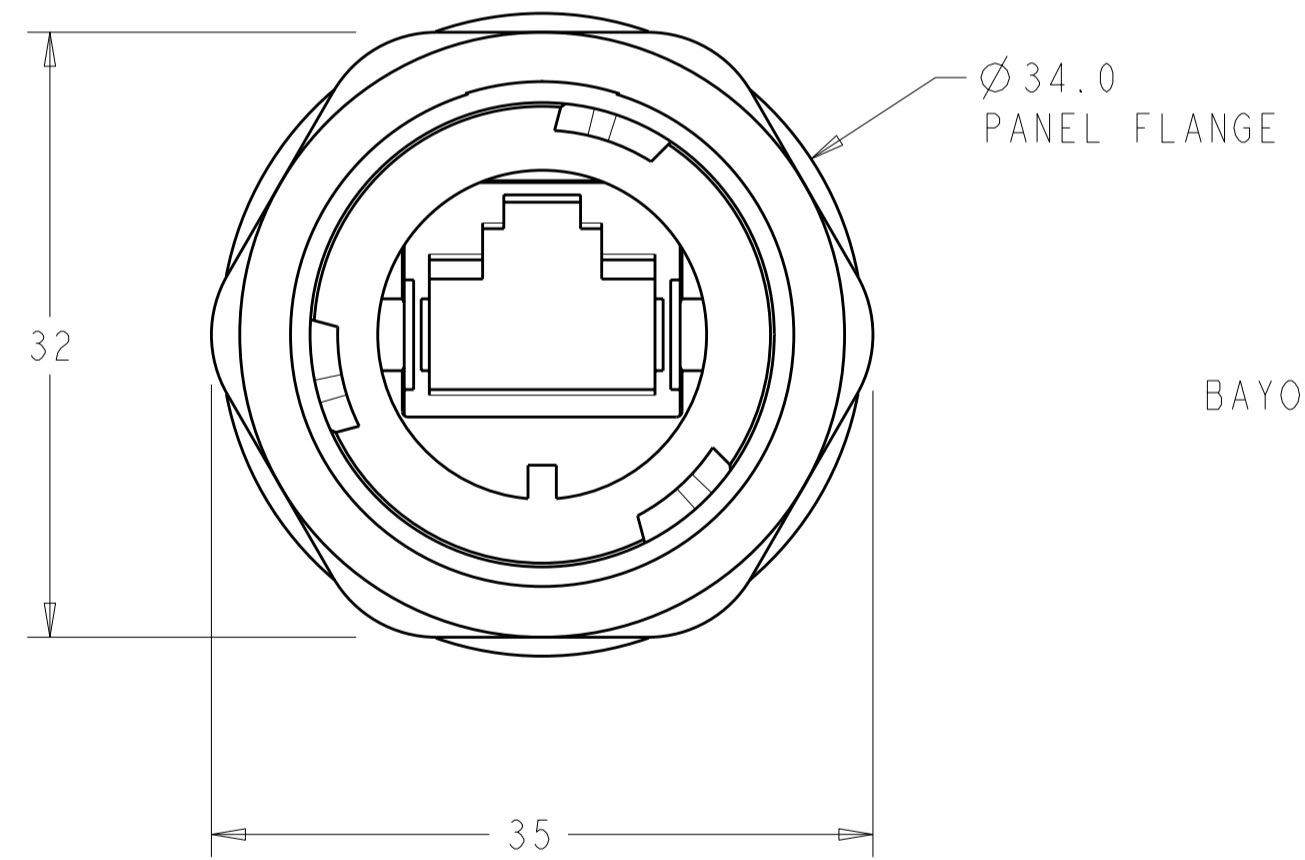
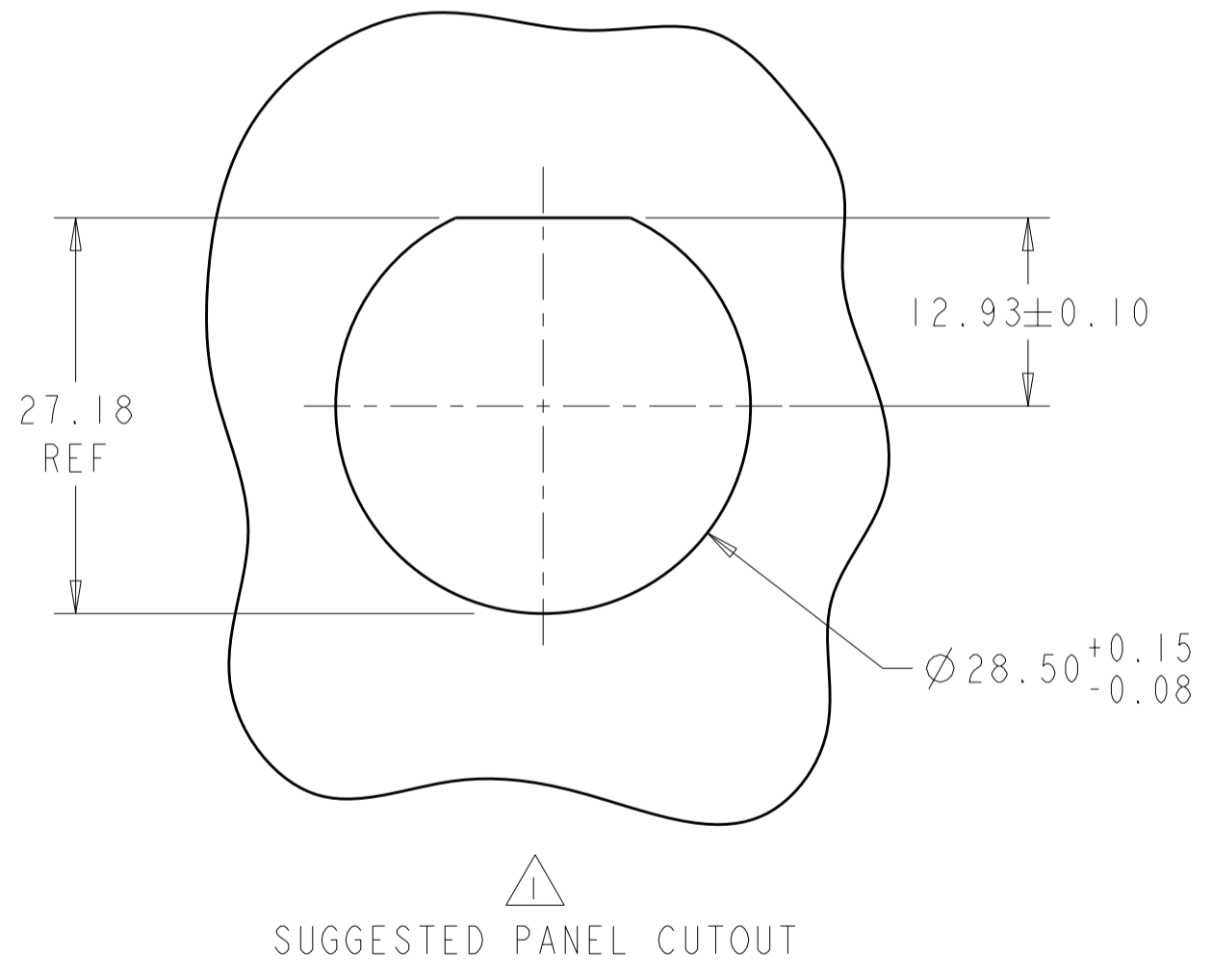
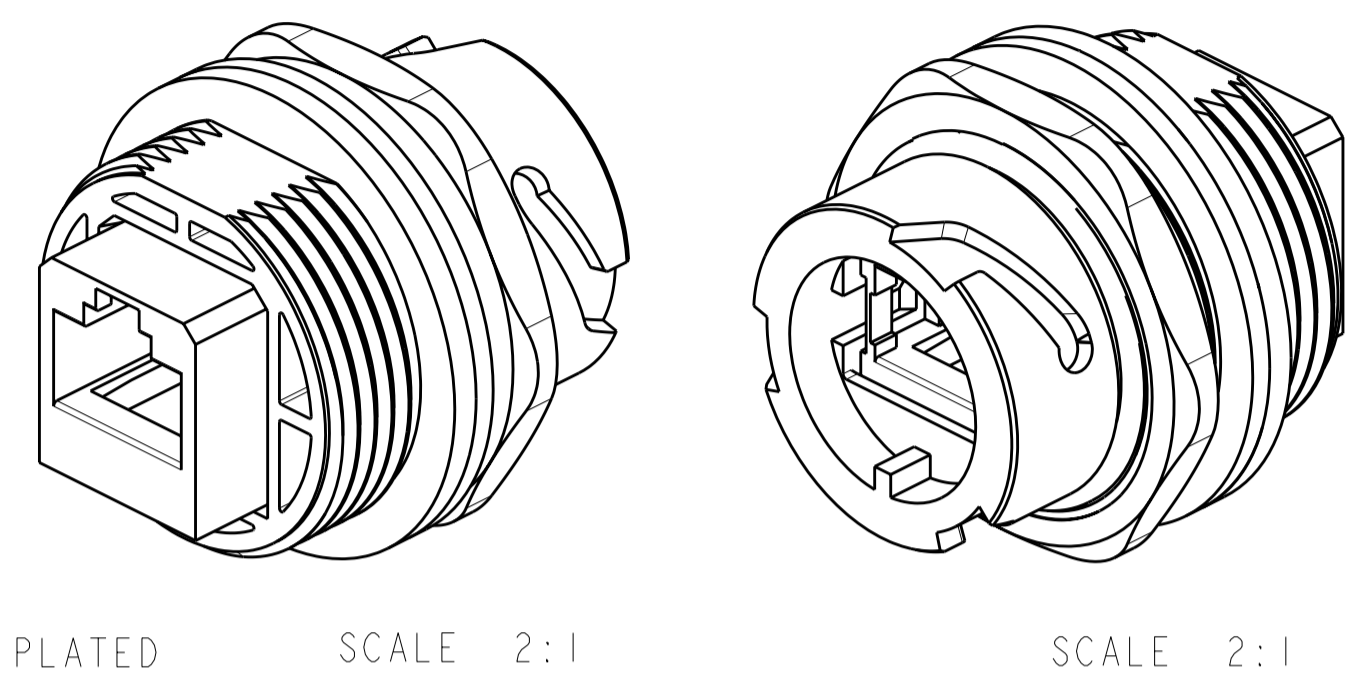
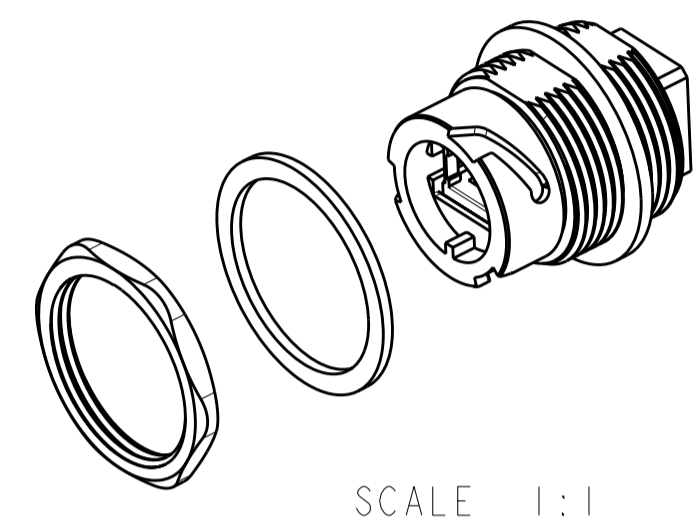
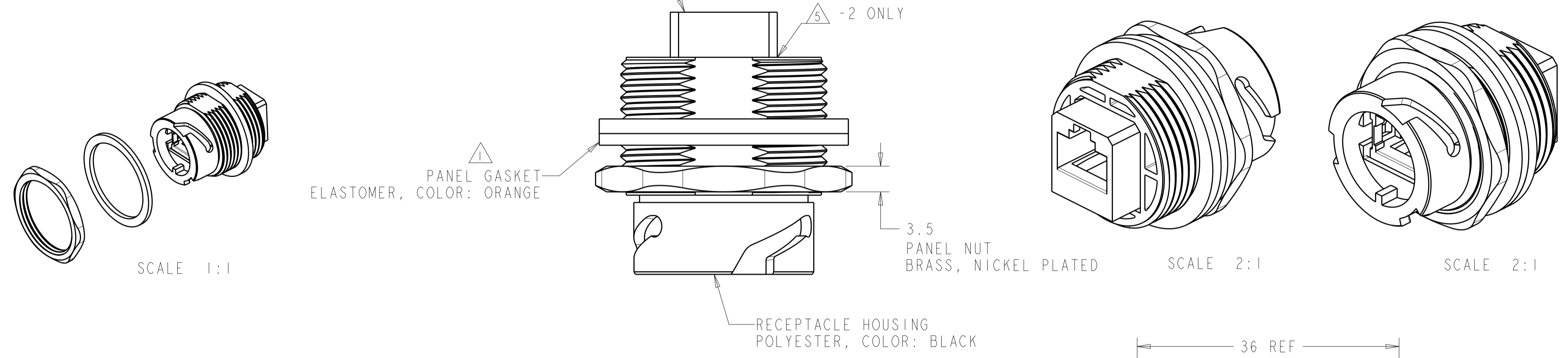


THIS DRAWING IS UNPUBLISHED. RELEASED FOR PUBLICATION 20
 © COPYRIGHT 20 BY - ALL RIGHTS RESERVED.

LOC		DIST		REVISIONS			
P	LTR	DESCRIPTION	DATE	DWN	APVD		
	CI	REVISED PER ECO-11-004820	11MAR2011	RK	HMR		

COUPLER, RJ-45
 CATEGORY: SEE TABLE, 8 POSITION
 HOUSING: THERMOPLASTIC
 CONTACTS: PHOSPHOR BRONZE, GOLD OVER NICKEL



CAT 6e	NO	1738601-3
CAT 5e	△	1738601-2
CAT 5e	NO	1738601-1
CATEGORY	COUPLER BONDED	PART NUMBER

- CONNECTOR MAY BE FRONT OR REAR MOUNTED TO A MAXIMUM PANEL THICKNESS OF 3.2 mm.
- COUPLER LINES CROSSOVER BETWEEN PORTS.
- THIS PRODUCT HAS NOT COMPLETED VALIDATION TESTING.
- PANEL NUT AND PANEL GASKET ARE PACKAGED UNASSEMBLED IN POLYBAG.
- COUPLER BONDED TO HOUSING BY ADHESIVE ALONG EDGE WHERE COUPLER MEETS HOUSING, SEE TABLE.

THIS DRAWING IS A CONTROLLED DOCUMENT.

DIMENSIONS:	TOLERANCES UNLESS OTHERWISE SPECIFIED:	DWN R.L. KOLLER 25MAR04	TE Connectivity	
mm	0 PLC ±0.3	CHK J. LANDIS 26MAR04	NAME	
	1 PLC ±0.2	APVD S. HEADER 17JUN	RECEPTACLE KIT, INDUSTRIAL CIRCULAR ETHERNET CONNECTOR	
	2 PLC ±0.10	PRODUCT SPEC	SIZE	CAGE CODE
	3 PLC ±	APPLICATION SPEC	A2	00779
	4 PLC ±	114-13136	DRAWING NO	1738601
MATERIAL	ANGLES ±°	WEIGHT	RESTRICTED TO	
	FINISH			
		CUSTOMER DRAWING	SCALE 5:2	SHEET 1 OF 1 REV CI