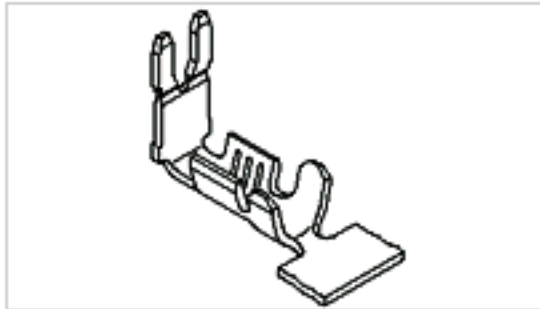


1742897-1 Product Details

[Share](#) | [Print](#) | [Email](#)


Active

MAG-MATE Terminals

MAG-MATE POKE-IN TAB 018 PTPBR

1742897-1

TE Internal Number: 1742897-1

Product Highlights [View All](#)

- Contact
- Terminal Line = Standard MAG-MATE
- Terminal Configuration = Poke-In Tab
- Brass Material
- .64 - 1.02 mm Magnet Wire Range

- [Pricing & Availability](#)
- [Request Sample](#)
- [Add to My Part List](#)
- [Buy Product through Distributor](#)

Feedback

- [Documents](#)
- [Features](#)**
- [Compliance](#)

Please Note:
Use the Product Drawing for all design activity

Product Type Features	
Product Type	Contact
Terminal Line [?]	Standard MAG-MATE
Terminal Configuration	Poke-In Tab
Dimensions	
Terminal Height (mm [in]) [?]	16.00 [0.630]
Body Features	
Material [?]	Brass
Magnet Wire Range (mm [AWG]) [?]	0.64 - 1.02 [18 - 22]
Plating Material [?]	Tin

Industry Standards	
RoHS/ELV Compliance [?]	RoHS compliant, ELV compliant
Lead Free Solder Processes [?]	Not reviewed for lead free solder process
RoHS/ELV Compliance History	Always was RoHS compliant
Packaging Features	
Packaging Method	Reel/Carton
Packaging Quantity	8,000
Other	
Brand	AMP
Proprietary Name	MAG-MATE

Related Products

Not quite the product you're looking for?
[Find Similar Products](#)

[View Part in Product Feature Selector](#)

[Check for Tooling](#)

- Corporate Information**
- [About TE](#)
 - [Investors](#)
 - [News Room](#)
 - [Supplier Portal](#)
 - [Careers](#)
 - [Terms & Conditions](#)
 - [Privacy Policy](#)
 - [Global Accessibility Statement](#)

- Quick Links**
- [Distributor Inventory](#)
 - [Product Cross Reference](#)
 - [Documents & Drawings](#)
 - [Product Compliance Support Center](#)
 - [Site Map](#)

- Customer Support**
- [Email or Chat With Us](#)
 - [Find a Phone Number](#)
 - [Knowledge Base](#)
 - [Manage Your Account](#)

Keep Me Informed