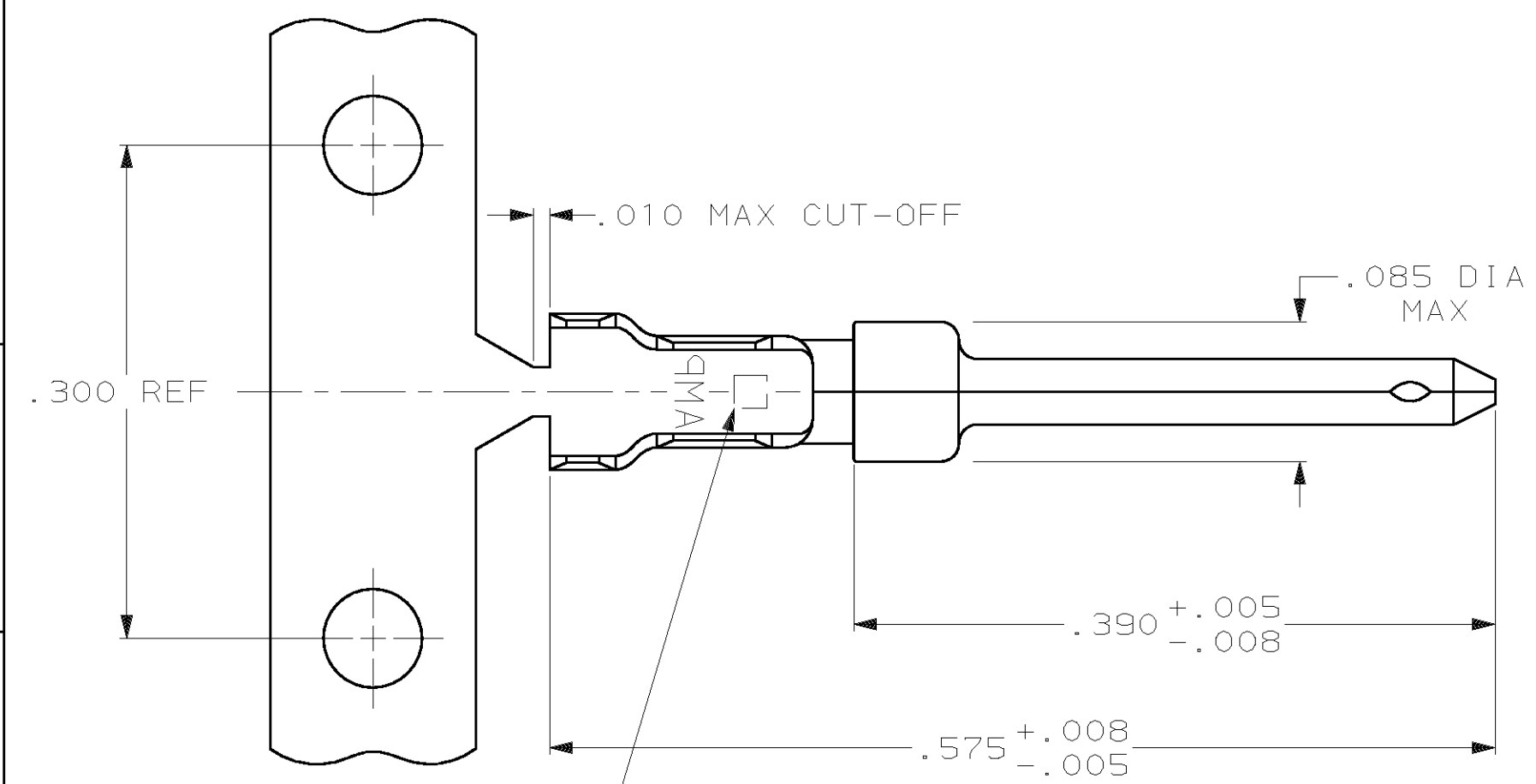
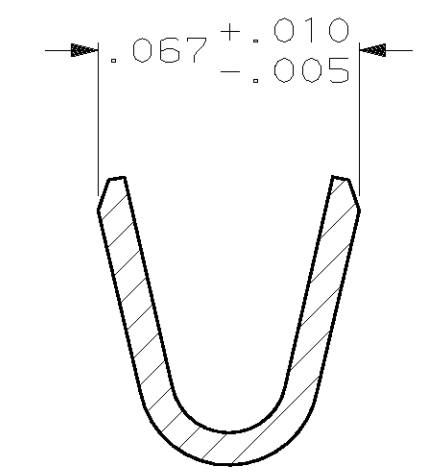
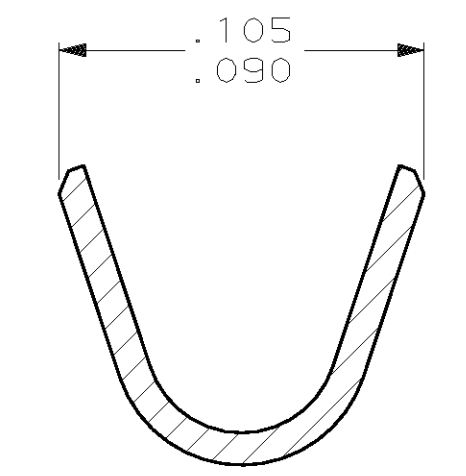
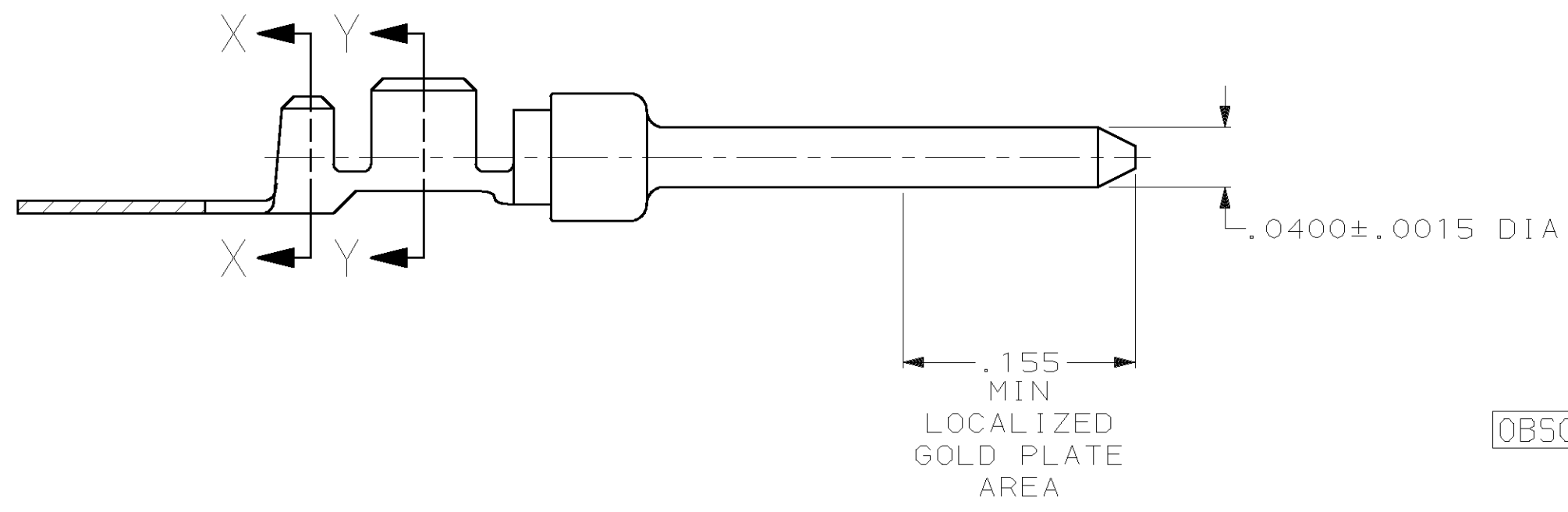


THIS DRAWING IS UNPUBLISHED. RELEASED FOR PUBLICATION ,19 .
 © COPYRIGHT 19 BY AMP INCORPORATED, HARRISBURG, PA. ALL INTERNATIONAL RIGHTS RESERVED. AMP PRODUCTS MAY BE COVERED BY U.S. AND FOREIGN PATENTS AND/OR PATENTS PENDING.

LOC	DIST	P	F	ZONE	LTR	DESCRIPTION	DATE	APPD
BD	48				A	REVISED & REDRAWN ECN-1606	7-28-86	-
					A1	ADDED 1--7 PER NPR 4837	06/15/93	SB
					B	REV PER EC 0420-0036-96	14 OCT 96	PF
					C	OBS -17 PER EC 0420-141-96	18 SEPT 97	SB
					D	REV PER EC 0420-163-97	09 FEB 98	PR
					E	REV PER EC 0640-27-98	22 JUN 98	JK
					F	REV PER EC 0640-102-99	01 MAR 99	JK
					G	REV PER EC 0640-441-98	18 MAR 99	RT



- 1 FOR MINI-APPLICATOR.
- 2 FOR HAND TOOL USE ONLY.
- 3. WIRE RANGE OF 22-26, INSULATION RANGE OF .040-.050.
- 4. GOLD PLATING MAY NOT APPEAR ON CARRIER STRIP.
- 5 GOLD PLATING PER MIL-G-45204, NICKEL PLATING PER QQ-N-290, TIN PLATING PER MIL-T-10727.
- 6 GOLD PLATED IN LOCALIZED GOLD PLATED AREA, .000030 GOLD IN MATED AREA, GOLD FLASH ON REMAINDER, OVER .000050 NICKEL.
- 7 0.025µm [.000001] MIN GOLD OVER .000030 NICKEL.
- 8 GOLD PLATED IN LOCALIZED GOLD PLATED AREA, 0.025µm [.000001] MIN GOLD IN MATED AREA, TIN PLATED WIRE BARRELS, OVER .000030 NICKEL.
- 9 GOLD PLATED IN LOCALIZED GOLD PLATED AREA, .000030 GOLD IN MATED AREA, TIN PLATED WIRE BARRELS, OVER .000050 NICKEL.



OBSELETE	SMALL PACK	FINISH	USE	TYPE	PART NUMBER
	STANDARD	7	2	LOOSE PIECE	1-745254-7
	STANDARD	9	2	LOOSE PIECE	1-745254-6
	STANDARD	9	1	STRIP	1-745254-4
	STANDARD	8	2	LOOSE PIECE	1-745254-3
	STANDARD	8	1	STRIP	1-745254-1
	STANDARD	7	2	LOOSE PIECE	745254-7
	STANDARD	6	2	LOOSE PIECE	745254-6
	STANDARD	7	1	STRIP	745254-3
	STANDARD	6	1	STRIP	745254-2

UNLESS OTHERWISE SPECIFIED DIMENSIONS ARE IN INCHES TOLERANCES ON : 2 PL DEC ± - 3 PL DEC ± .005 ANGLES ± -	DR 9-9-86 S.WELDON	AMP INCORPORATED Harrisburg, Pa. 17105	
	CHK 9-9-86 C.RICHARD		
MATERIAL BRASS PER MIL-C-50	APPD 9-10-86 L.BREKOSKY	SIZE 00779	DRAWING NO 745254
	APPD 9-10-86 V.KUMAR	FINISH SEE TABLE	SCALE 10:1
FINISH SEE TABLE	APPLICATION SPEC 114-10000	WEIGHT -	SHEET 1 OF 1