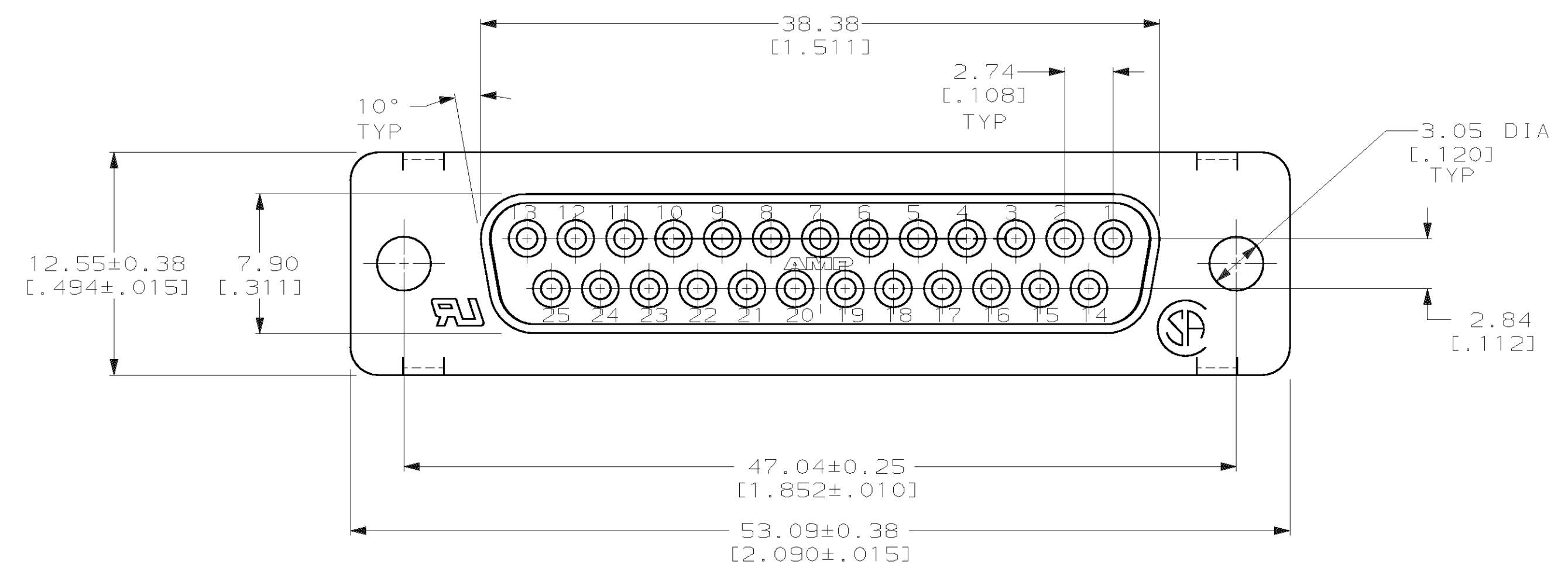
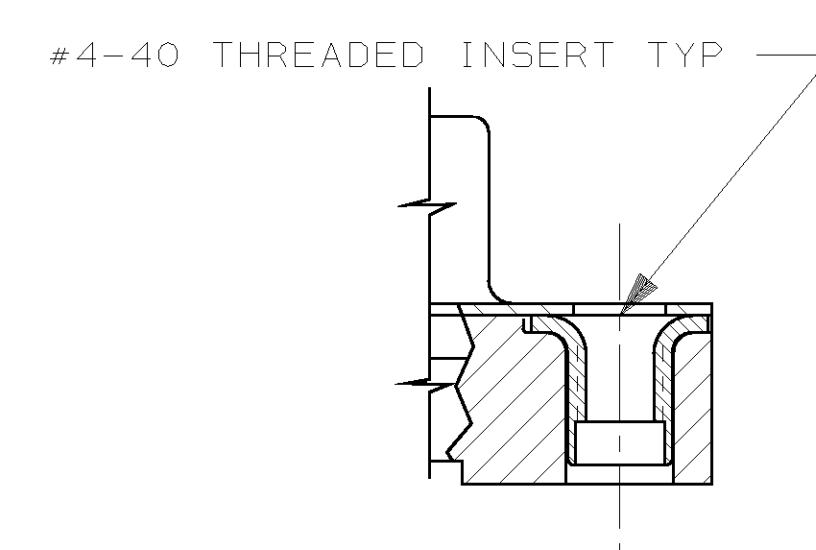
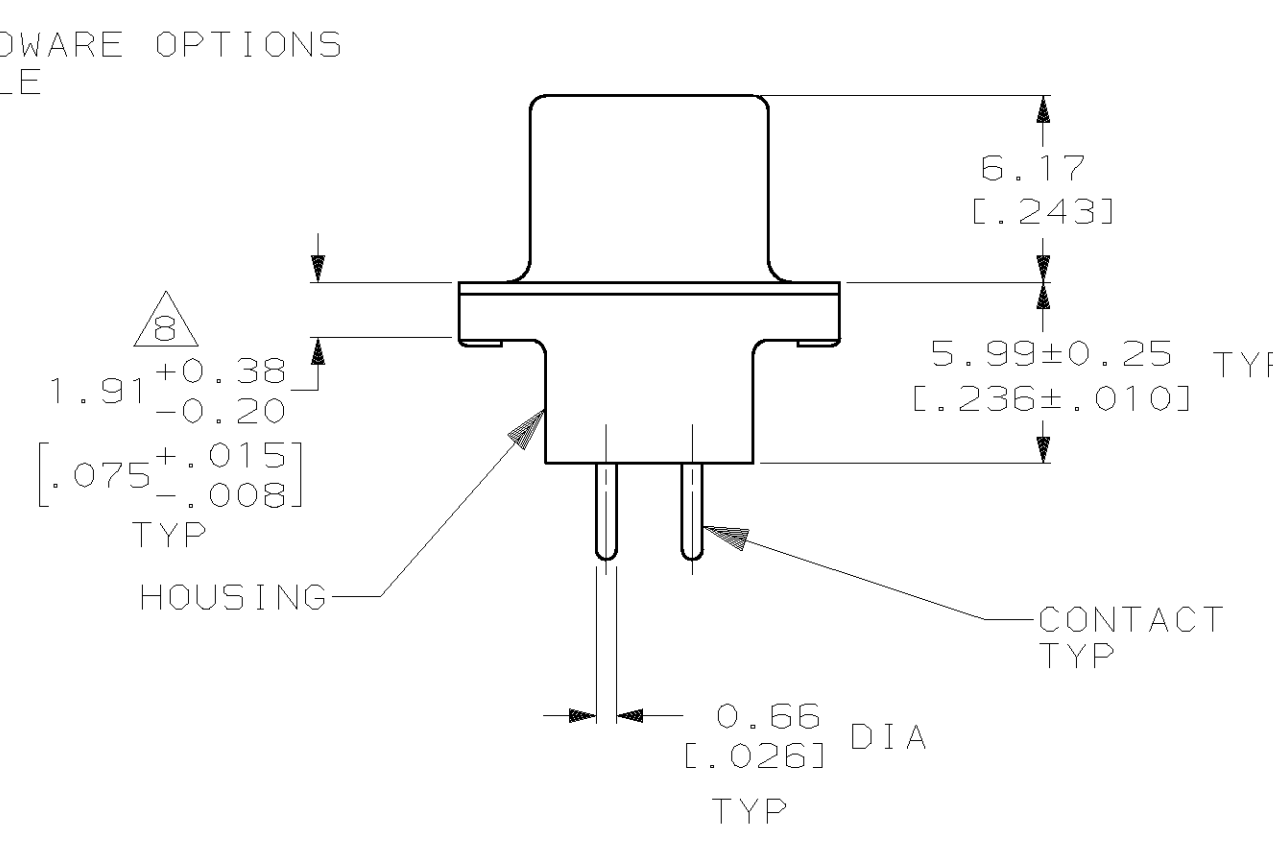
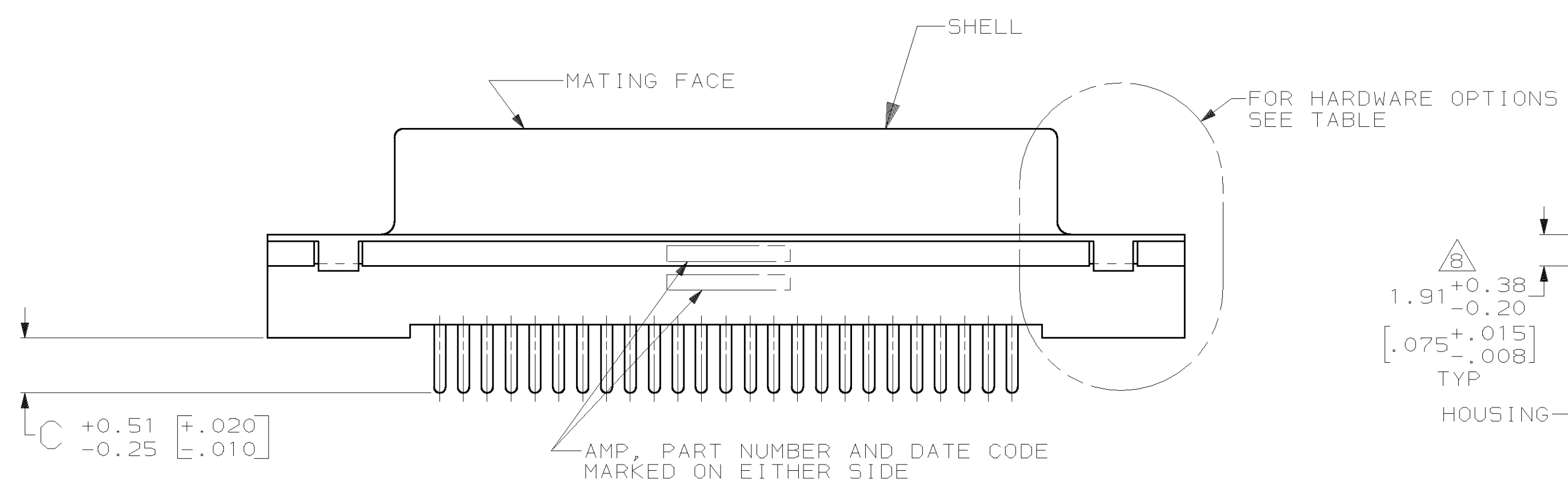


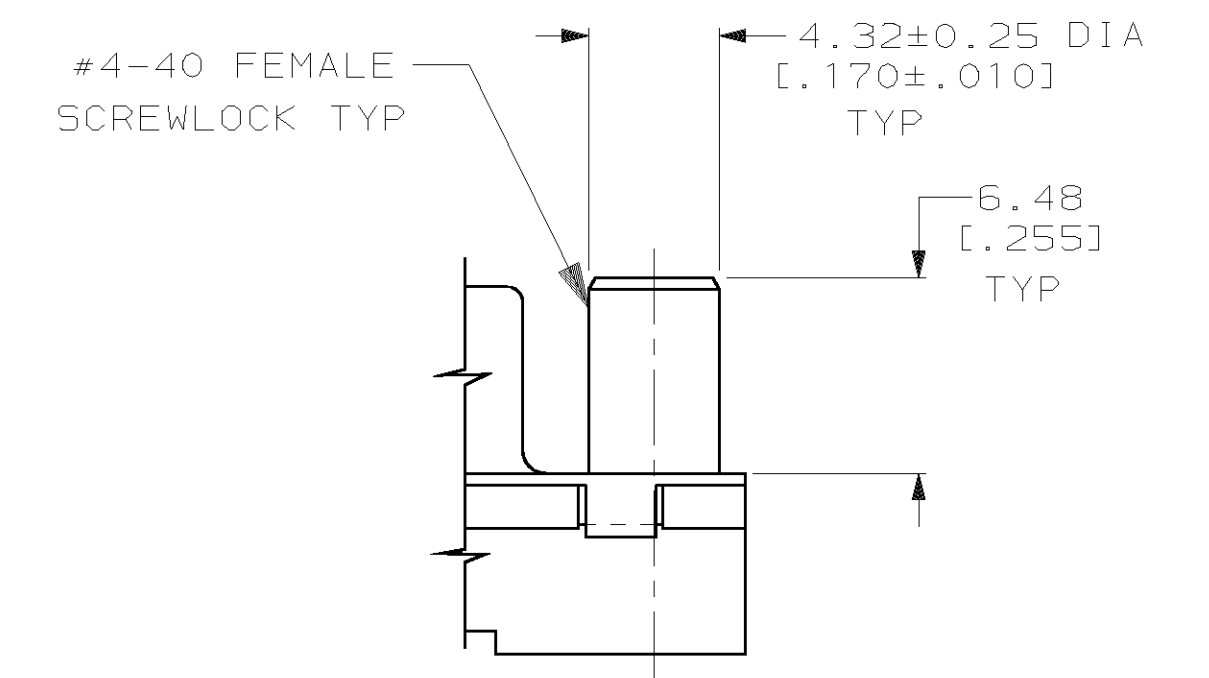
| LOC | | DIST | | P | | F | | ZONE | | LTR | | REVISIONS | | | |
|-----|----|------|--|---|--|---|--|------|--|-----|--|-------------|-----------------------------|---------|----|
| GP | 00 | | | | | | | | | | | DESCRIPTION | DATE | APPD | |
| | | | | | | | | | | | | N | REVISED PER EC 0513-0460-02 | 07MAR03 | JG |



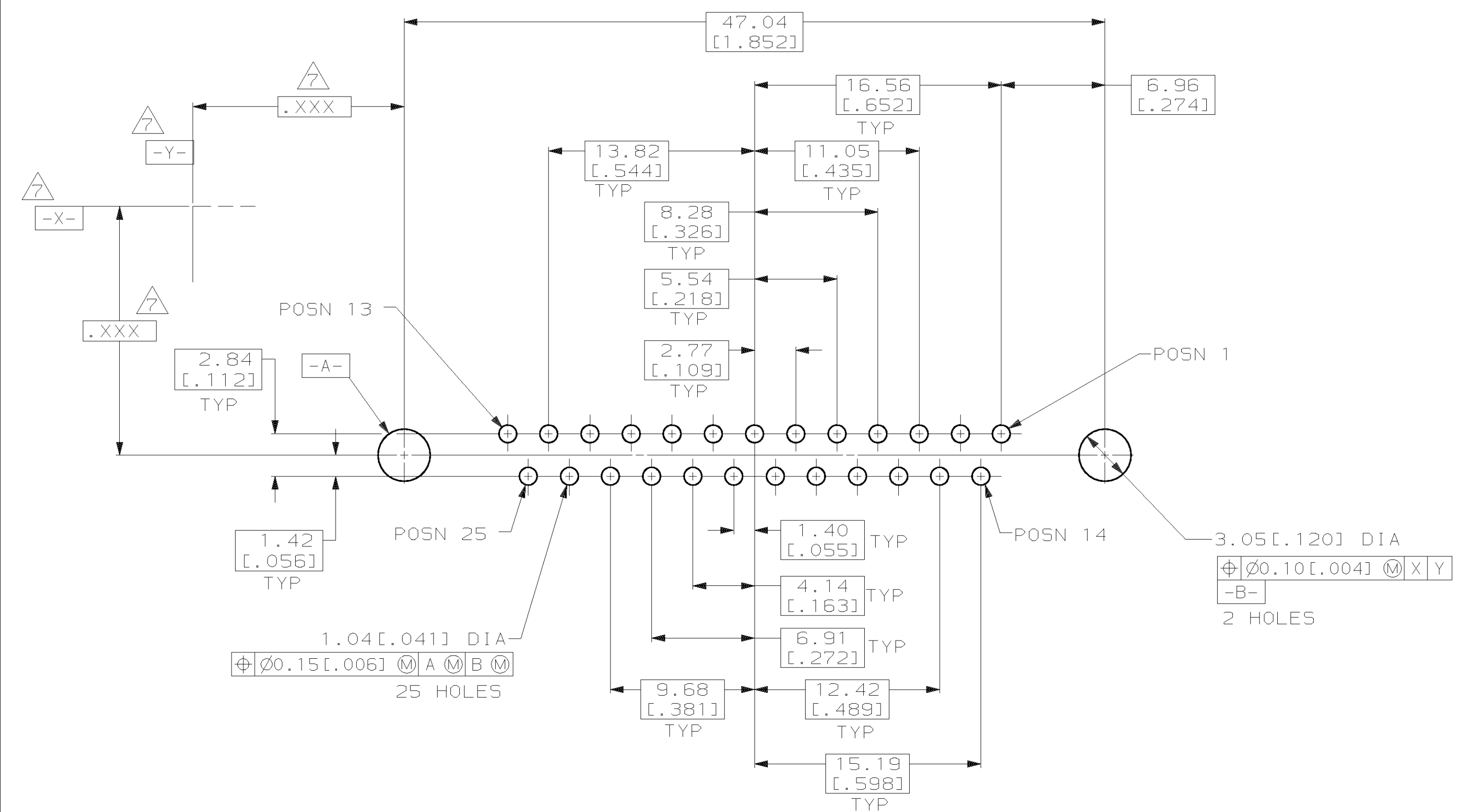
- 1 POLYESTER, UL 94V-0 RATED, BLACK.
- 2 CARBON STEEL PER ASTM A109.
- 3 5.08um [0.000200] MIN TIN OVER 2.54um [0.000100] MIN COPPER.
- 4 GOLD FLASH FOR A LENGTH OF 2.54 [0.100] MIN FROM MATING END, 2.54um [0.000100] MIN TIN OR TIN-LEAD ON OPPOSITE END, BOTH OVER 1.27um [0.000050] MIN NICKEL.
- 5 0.76um [0.000030] MIN GOLD FOR A LENGTH OF 2.54 [0.100] MIN FROM MATING END, 2.54um [0.000100] MIN TIN OR TIN-LEAD ON OPPOSITE END, BOTH OVER 1.27um [0.000050] MIN NICKEL.
- 6 TIN PLATING PER MIL-T-10727, GOLD PLATING PER MIL-G-45204, NICKEL PLATING PER QQ-N-290, COPPER PLATING PER MIL-C-14550.
- 7 DATUMS AND BASIC DIMENSIONS ESTABLISHED BY CUSTOMER.
- 8 2.79 [0.110] MAX IN SHELL TAB CLINCH AREAS.
- 9 OBSOLETE PART NUMBER.
- 10 SUPERSEDED BY 745967-2.
- 11 SUPERSEDED BY 745967-4.
- 12 SUPERSEDED BY 1-745967-4.
- 13 SUPERSEDED BY 745967-7.



DETAIL D



DETAIL E



RECOMMENDED PC BOARD MOUNTING DIMENSIONS

| W/THREADED INSERTS PER DETAIL D | CONTACTS | FINISH | PART NO |
|---------------------------------|--------------|--------|------------|
| 5 | 1.27 [0.050] | | 1-745967-9 |
| 5 | 4.32 [0.170] | | 1-745967-6 |
| 4 | 4.32 [0.170] | | 1-745967-5 |
| 5 | 3.18 [0.125] | | 1-745967-4 |
| 4 | 3.18 [0.125] | 12 | 1-745967-3 |
| 4 | 6.35 [0.250] | 9 | 1-745967-1 |
| 5 | 4.32 [0.170] | | 1-745967-0 |
| 4 | 4.32 [0.170] | 12 | 745967-9 |
| 5 | 3.18 [0.125] | | 745967-8 |
| 4 | 3.18 [0.125] | | 745967-7 |
| 5 | 6.35 [0.250] | 9 | 745967-6 |
| 5 | 4.32 [0.170] | | 745967-4 |
| 4 | 4.32 [0.170] | 11 | 745967-3 |
| 5 | 3.18 [0.125] | | 745967-2 |
| 4 | 3.18 [0.125] | 10 | 745967-1 |

| | | | |
|---|--|--|----------------------|
| DO NOT SCALE PRINT. UNLESS SPECIFIED DIMENSIONS IN mm [INCHES] TOLERANCES ON: 2 PLC DEC ± .013 [0.005] 3 PLC DEC ± - ANGLES ± 2° | DR 3-22-93 D BROCKWAY CHK 5-10-93 R STONE APPD 5-10-93 M PERCHERKE APPD 5-10-93 M PERCHERKE | AMP AMP INCORPORATED Harrisburg, Pa. 17105 | |
| MATERIAL HOUSING: 1 SHELL: 2 CONTACTS: PHOS. BRONZE PER QQ-B-750 SCREWLOCKS: ZINC, INSERTS: BRASS | PRODUCT SPEC 108-40025 | NAME RECEPTACLE ASSY, SIZE 3, 25 POSITION FRONT METAL SHELL, WITH OR WITHOUT SCREWLOCKS OR INSERTS, AMPLIMITE™ HDP | |
| FINISH: 6 SHELL: 3 CONTACTS: SEE TABLE SCREWLOCKS: UNPLATED INSERTS: UNPLATED | APPLICATION SPEC 114-40023 | SIZE D | FSCM NO 00779 |
| | WEIGHT - | SCALE 4:1 | DRAWING NO 745967 |
| | | | SHEET 1 OF 1 |