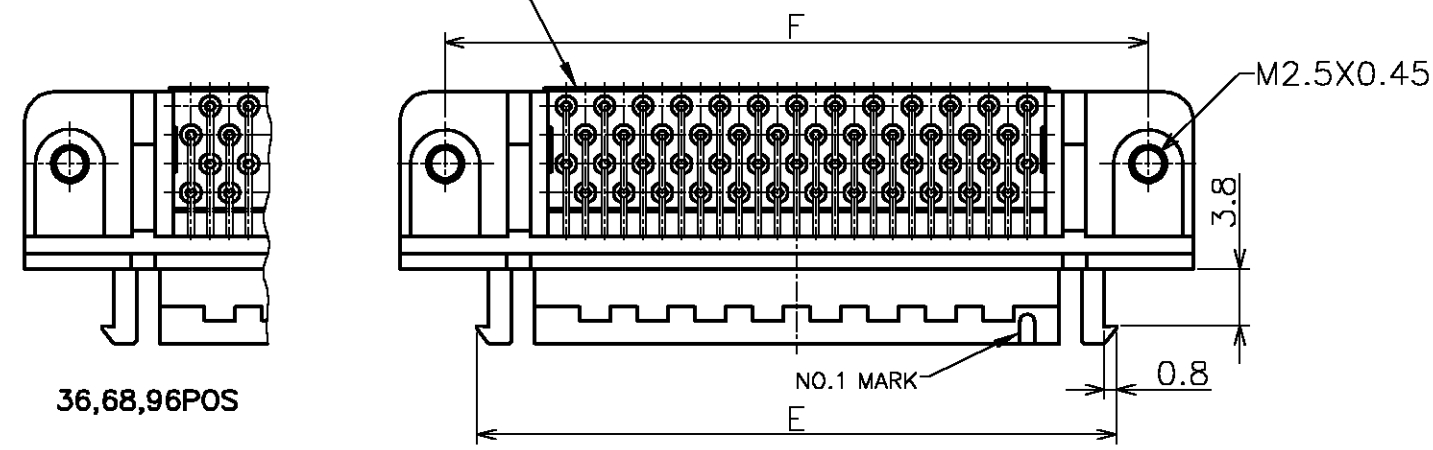


THIS DRAWING IS UNPUBLISHED. RELEASED FOR PUBLICATION SEP 1994.
 © COPYRIGHT 1994 BY TYCO ELECTRONICS CORPORATION. ALL RIGHTS RESERVED.

LOC	DIST	REVISIONS						
		P	LTR	DESCRIPTION	DATE	DWN	APVD	
J	/	E		REDRAWN W/CHANGE	FJ00-0657-02	29MAR02	T.K	I.E
		F		REVISED	FJ00-1380-02	21OCT02	T.T	I.E

-4; 本図
-4; AS SHOWN

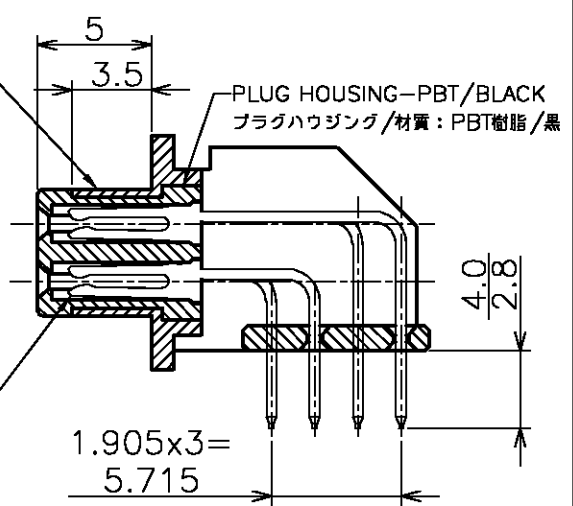
TINE PLATE
MATERIAL: PBT/BLACK
タインプレート
材質: PBT樹脂/黒



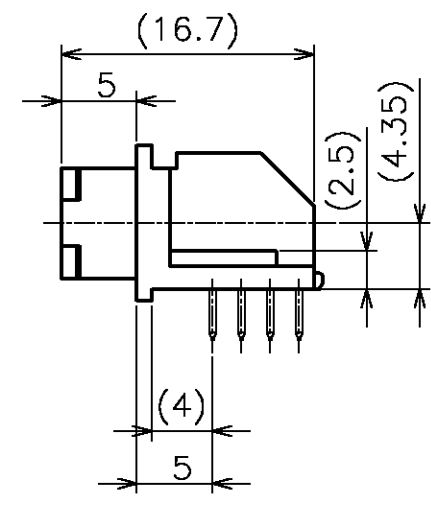
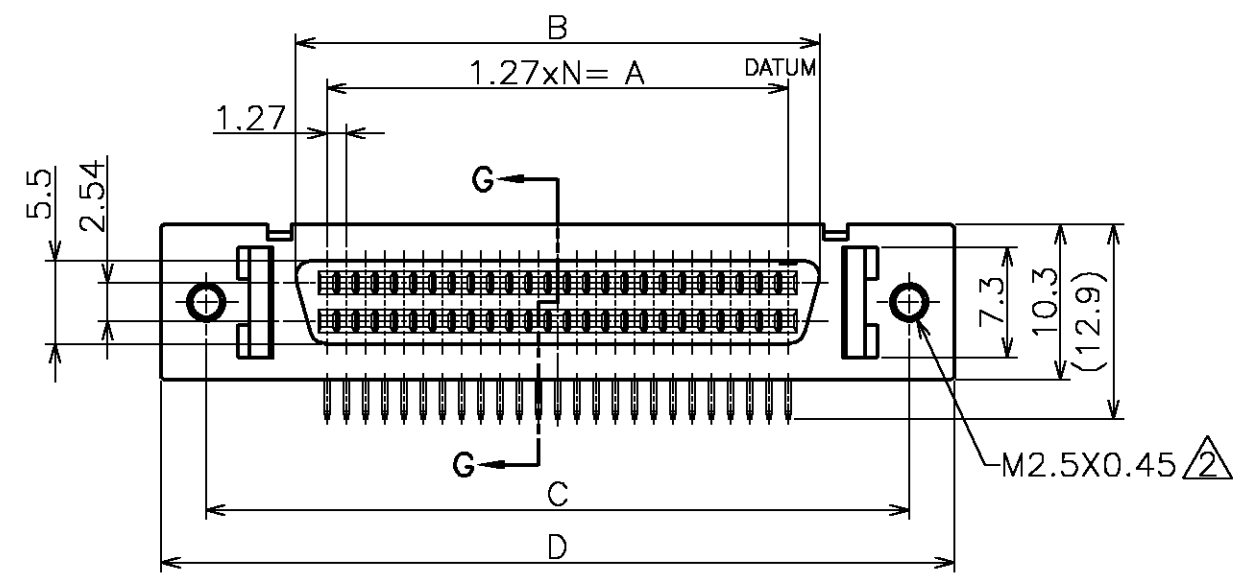
36,68,96POS

PLUG SHIELD
MATERIAL: ZINC DIECAST
FINISH: NICKEL OVER COPPER
プラグシールド
材質: 亜鉛ダイカスト
仕上: 銅下地/Nめっき

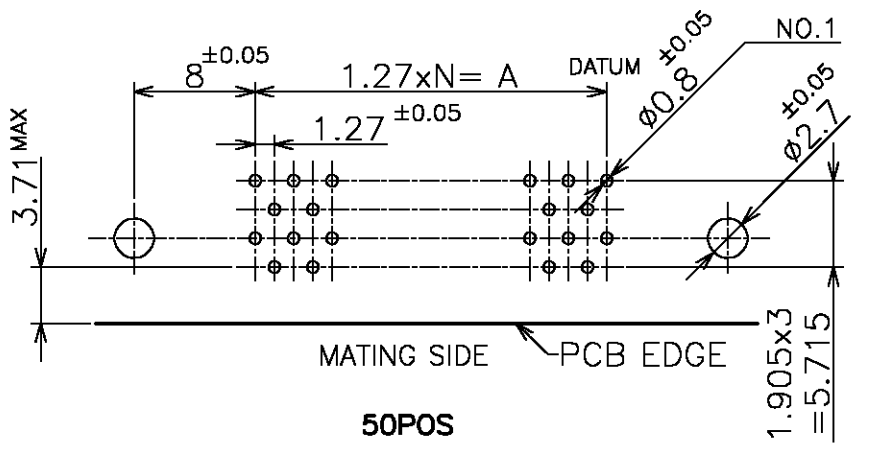
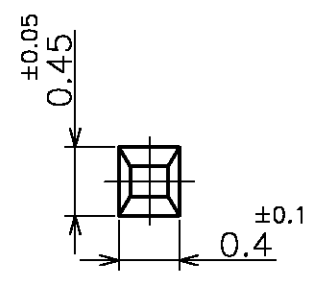
REC CONTACT-PHOS BRONZE
DUPLX PLATED 0.2μm MIN
OR 0.76μm MIN GOLD ON
CONTACT AREA
TIN-LEAD ON SOLDER TINE AREA
WITH ENTIRE CONTACT UNDERPLATED NICKEL
リセコンタクト
材質: りん青銅
仕上: Ni下地
接触部: 0.2μm MIN又は
0.76μm MIN 金めっき
タイン部: 半田めっき



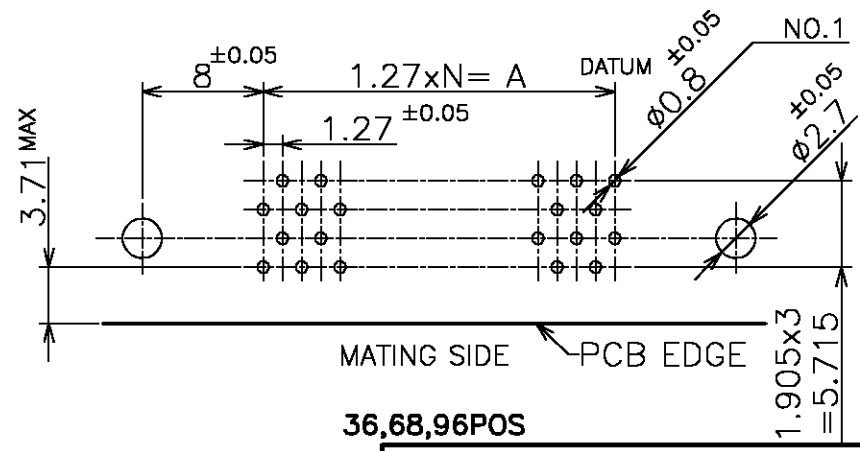
G-G
(SCALE 3:1)



TOP OF SOLDER TINE SHAPE
半田タイン先端形状
(SCALE 20:1)



50POS



36,68,96POS

P.C. BOARD MOUNTING DIMENSIONS

FIG.1

- 基板パターン寸法図はFIG.1の通り、尚穴数は各種数ごとの基準位置より数えること。
- ② 適用ねじ: M2.5なべ小ねじ
- ③ 嵌合相手コネクタ: X-174731-X & X-175707-X.

- P.C BOARD HOLE LAY-OUT SEE FIG.1 AND QTY OF HOLE MUST BE COUNTED UP FROM DATUM LINE.
- ② USED SCREW SIZE;M2.5X0.45
- ③ CONNECTOR TO BE MATED: X-174731-X,X-175707-X.

0.00076 MIN	96	47	59.69	63.86	75.7	81.7	71.49	75.7	2-	-6
	68	33	41.91	46.08	57.9	63.9	53.71	57.9	2-	-5
	50	24	30.48	34.65	46.5	52.5	42.28	46.5	2-	-4
	36	17	21.59	25.76	37.6	43.6	33.39	37.6	2-	-3
0.0002 MIN	96	47	59.69	63.86	75.7	81.7	71.49	75.7		-6
	68	33	41.91	46.08	57.9	63.9	53.71	57.9		-5
	50	24	30.48	34.65	46.5	52.5	42.28	46.5		-4
CONTACT GOLD PL.	Pos.	N	A	B	C	D	E	F	174726-3 PART No.	

THIS DRAWING IS A CONTROLLED DOCUMENT.

DWN	T. KAWAMAE	29MAR02		Tyco Electronics AMP K.K.	
CHK	I. ENOMOTO	29MAR02		Kawasaki, Japan	
APVD	I. ENOMOTO	29MAR02			
PRODUCT SPEC	製品規格		NAME 名称		
APPLICATION SPEC	取付適用規格		PLUG HEADER (HORIZONTAL/M2.5)		
WEIGHT	-		AMPLIMITE .050 SERIES II CONNECTOR		
	-		TYPE A		
	-		SIZE	CAGE CODE	DRAWING NO
	-		A3	00779	C-174726
	-		RESTRICTED TO	-	
	-		SCALE	SHEET	REV
	-		尺度	2:1	1 OF 1 F

CUSTOMER DRAWING