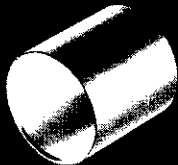


HDP-20 Ferrules for Shielding Hardware Kits

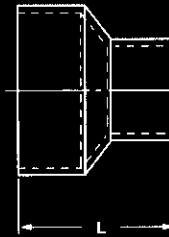
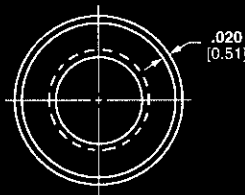
Ferrules for Shielding Hardware Kits



Stepped



Straight



Material and Finish:

Steel (annealed), tin plated

Related Product Data:

Shielding Hardware and Enclosure Kits—pages 99-103

Technical Documents:

Instruction Sheets—

- 408-9507
- 408-9508
- 408-9243
- 408-9242

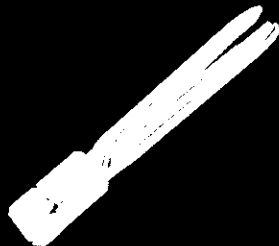
Note: Instruction Sheets for AMP Tooling are packaged with the tooling. For additional information call the Tooling Assistance Center: **1-800-722-1111**.

Shell Sizes	Style	L Dim.	Cable Diameter	Part Numbers	
				Ferrule	Die Sets*
1-3	Stepped	.440 11.18	.165-.190 4.19-4.83	747579-8	543424-3
1-3	Stepped	.440 11.18	.190-.217 4.83-5.51	747579-8	543424-2
1-3	Stepped	.440 11.18	.217-.246 5.51-6.25	747579-8	543424-8
1-3	Stepped	.440 11.18	.246-.284 6.25-7.21	1-747579-0	543424-1
1-3	Stepped	.440 11.18	.284-.324 7.21-8.23	1-747579-0	543424-7
1-3	Stepped	.440 11.18	.324-.375 8.23-9.53	1-747579-1	543424-6
1-3	Straight	.440 11.18	.375-.437 9.53-11.10	1-747579-2	543424-5
1-3	Straight	.440 11.18	.400-.460 10.16-11.56	1-747579-4	543424-4
4-5	Stepped	.625 15.88	.230-.265 5.84-6.73	1-747580-0	543425-2
4-5	Stepped	.625 15.88	.338-.385 8.59-9.78	747580-8	543425-1
4-5	Stepped	.625 15.88	.375-.432 9.53-10.97	747580-4	58238-1
4-5	Stepped	.625 15.88	.422-.490 10.72-12.45	747580-5	58237-2
4-5	Straight	.625 15.88	.480-.562 12.19-14.28	747580-6	58237-1

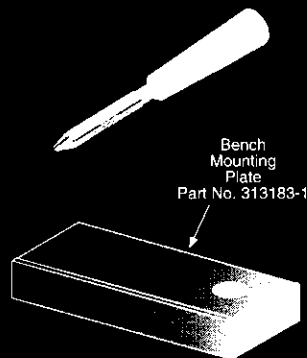
*Die sets used with Hand Crimping Tool Part No. 543344-1 or Pneumatic Bench Tool Part No. 312522-3 equipped with Die Set Holder Part No. 58449-1.

Cable Connectors

Application Tooling for Shielding Hardware Kits



Hand Crimping Tool
No. 543344-1
(Requires Die Sets, see table above.)



Bench Mounting Plate
Part No. 313183-1

Shielding Enclosure Expansion Tools
Part No. 58241-1 (.450 [11.43])†
58241-2 (.572 [14.53])†
58241-4 (.330 [8.38])†
†Maximum Cable Diameter
(Instruction Sheet—408-9172)

Pneumatic Bench Tool
No. 312522-3
(Requires Die Set Holder
No. 58449-1.)

