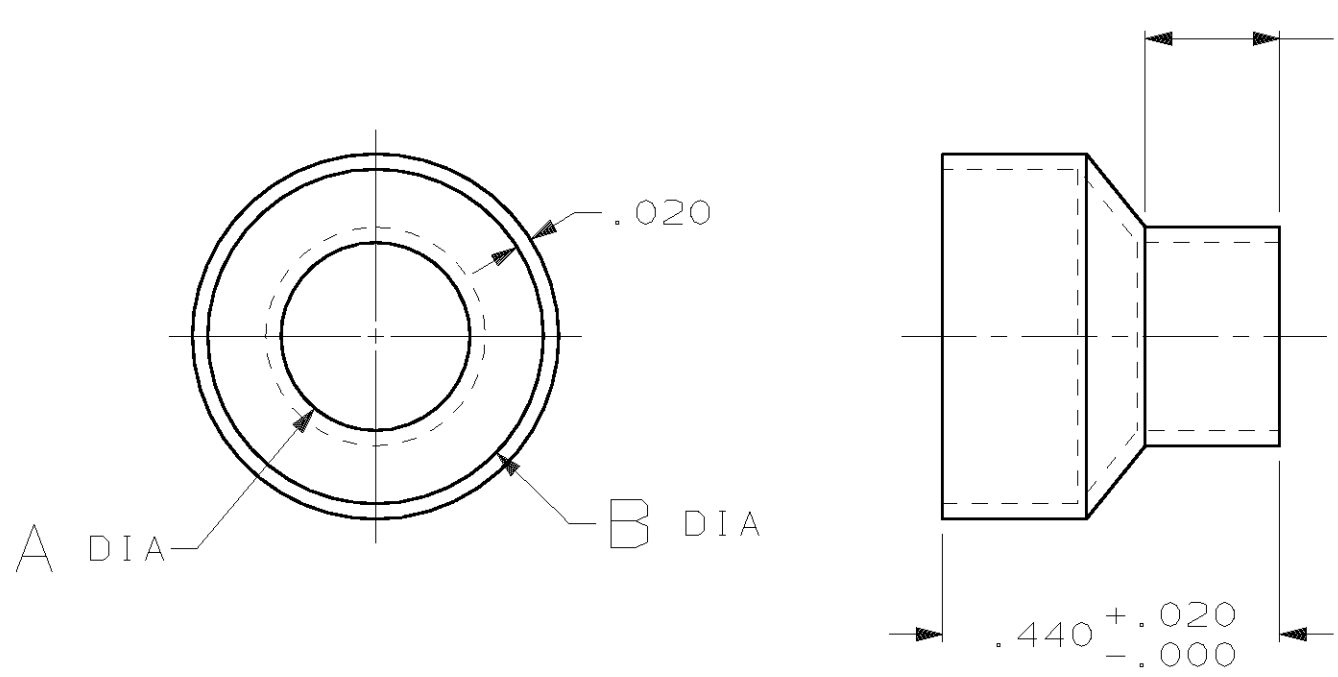
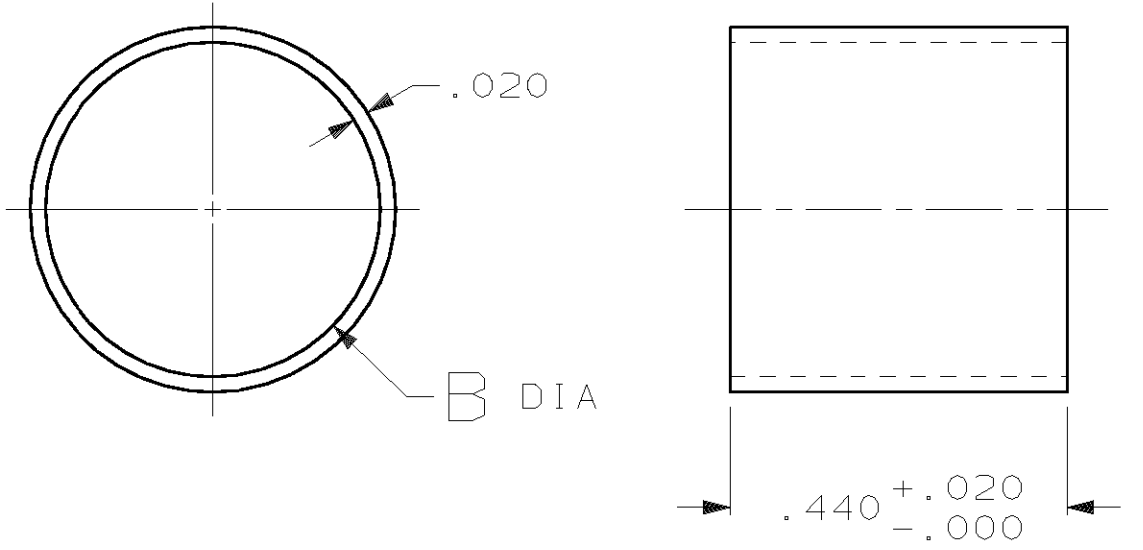


THIS DRAWING IS UNPUBLISHED. RELEASED FOR PUBLICATION ,19 .  
 © COPYRIGHT 19 BY AMP INCORPORATED. ALL INTERNATIONAL RIGHTS RESERVED.

LOC	DIST	P	F	ZONE	LTR	DESCRIPTION	DATE	APPD
BD	48				C	REVISED & REDRAWN BD-3047	05/25/89	-
					D	REV PER ECN BD6245	07/22/92	TS
					E	REV PER EC 0020-40-92	11/19/92	SB
					F	REV PER EC 0020-76-95	02/14/95	JS
					G	REV PER EC 0020-0677-95	28 JUL 95	CS
					H	REV PER EC 0U1D-0240-00	04 OCT 00	DK



STYLE I (STEPPED)



STYLE II (STRAIGHT)

II	.460-.400	-	.460	-	1-747579-4
II	.437-.375	-	.437	-	1-747579-2
I	.375-.324	.175	.437	.375	1-747579-1
I	.324-.246	.175	.437	.324	1-747579-0
I	.246-.165	.175	.437	.246	747579-8
STYLE	INSULATION RANGE DIAMETER, REF	C	B	A	PART NO

① .000200 MIN BRIGHT TIN OVER .000100 MIN COPPER.

DO NOT SCALE PRINT. UNLESS SPECIFIED DIMENSIONS IN INCHES TOLERANCES ON: 2 PLC DEC ± - 3 PLC DEC ± .005 ANGLES ± -	DR 05/25/89 S.WELDON	<b>AMP</b> AMP INCORPORATED Harrisburg, Pa. 17105
	CHK 06/01/89 R.STONE	
MATERIAL STEEL, ANNEALED	APPD 06/01/89 R.WHYNE	NAME FERRULE, OUTER, SIZES 1 THRU 3, SHIELDING HARDWARE, AMPLIMITE®
FINISH ①	APPD 06/02/89 J.SHOWERS	SIZE <b>B</b> CAGE CODE 00779 DRAWING NO 747579
	PRODUCT SPEC - APPLICATION SPEC - WEIGHT -	SCALE 4:1 SHEET 1 OF 1