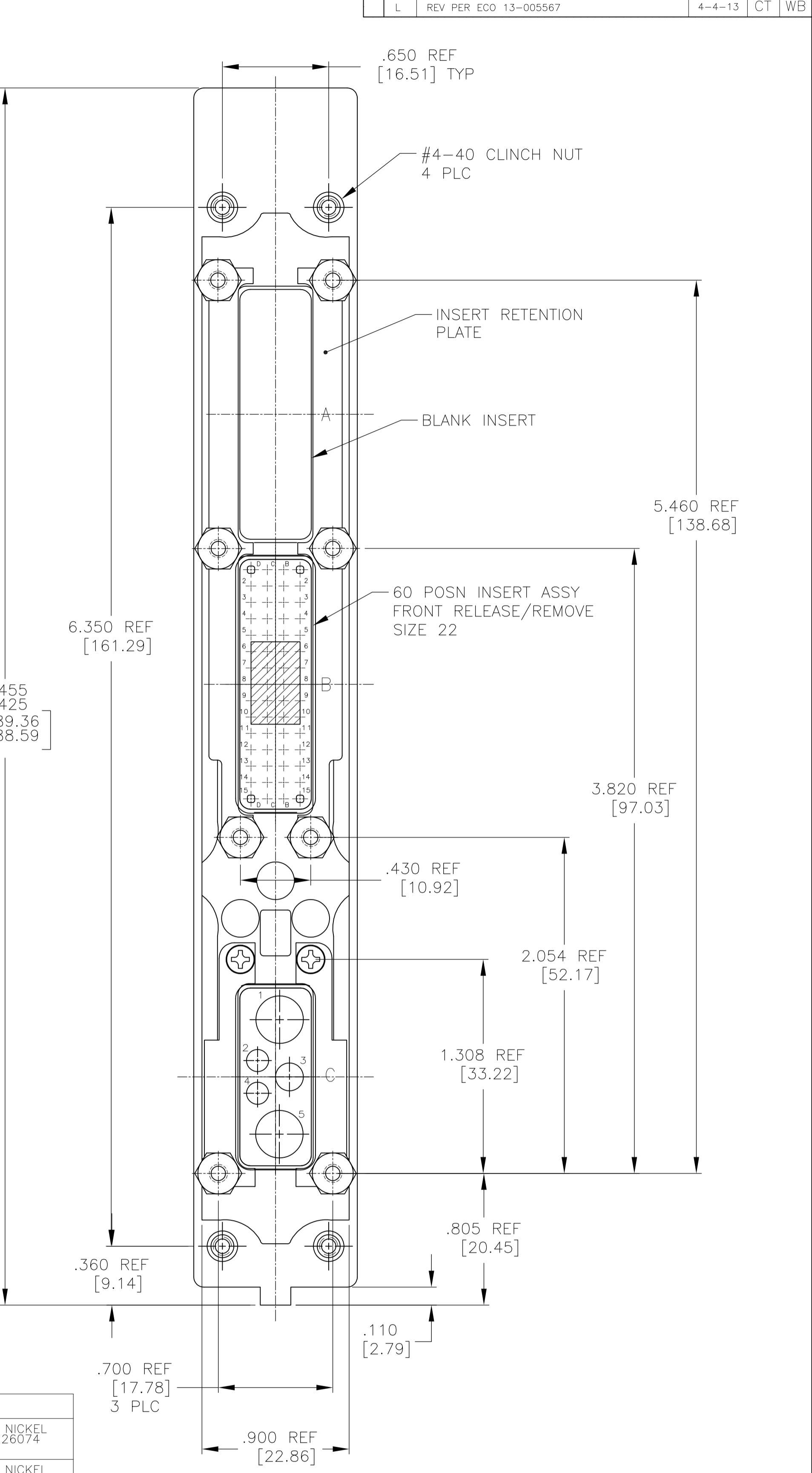
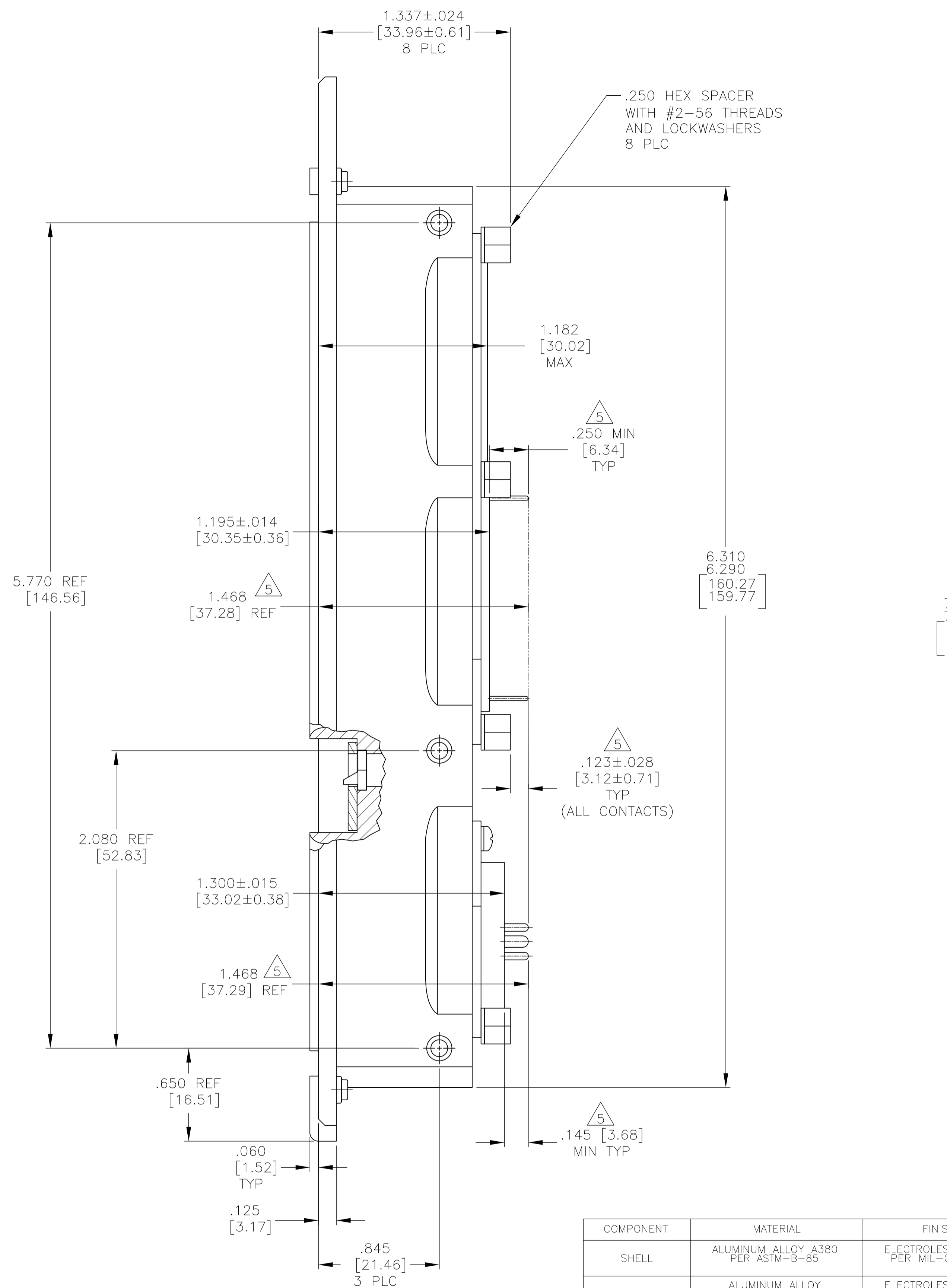
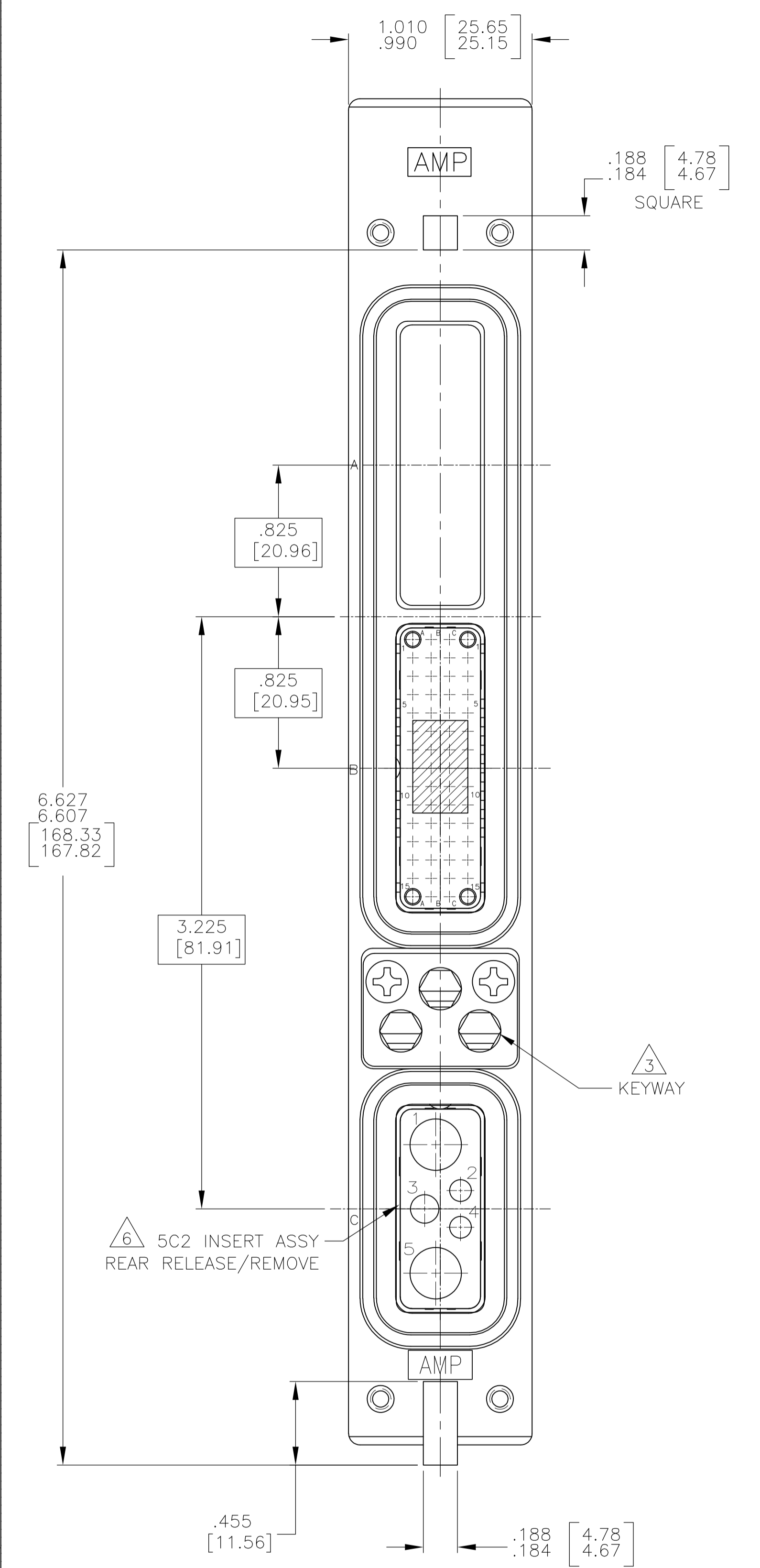


LOC		DIST		REVISIONS			
P	LTR	DESCRIPTION	DATE	DN	APVD	CT	WB
L	REV PER ECO	13-005567	4-4-13	CT	WB		



- CONNECTOR DIMENSIONS ARE PER ARINC 600 SPECIFICATION
- CONTACTS NOT SHOWN IN FRONT & REAR VIEWS FOR CLARITY.
- KEYING SHOWN IN POSITION FOR REFERENCE ONLY. SEE TABLE FOR KEYING POSITION. FOR POSITION "00" KEYING SHIPPED UNASSEMBLED.
- INSTALLED CONTACT LOCATIONS:  
 CAVITY B: SIZE 22 POSTED QTY=60 (P/N 211431-4) (-1 ONLY)  
 CAVITY C: SIZE 16 POSTED; QTY=2; POSITIONS 2 & 4; (P/N 1-1663128-0) (-1 ONLY)  
 SIZE 12 POSTED; QTY=1; POSITION 3; (P/N 1663129-8) (-1 ONLY)  
 CAVITY B: SIZE 22 POSTED QTY=60 (P/N 211431-6) (-2 ONLY)  
 CAVITY C: SIZE 16 POSTED; QTY=2; POSITIONS 2 & 4; (P/N 1663128-5) (-2 ONLY)  
 SIZE 12 POSTED; QTY=1; POSITION 3; (P/N 1663129-5) (-2 ONLY)  
 SIZE 5 POSTED; QTY=2; POSITION 1 & 5; (P/N 1663535-1) (-2 ONLY) (FREELY ROTATES)

5 DIMENSION APPLIES WITH CONTACTS FULLY SEATED TO REAR OF CONTACT CAVITIES.  
 6 SIZE 5 CAVITIES ARE GROUNDED TO SHELL.

1757625-1  
AS SHOWN

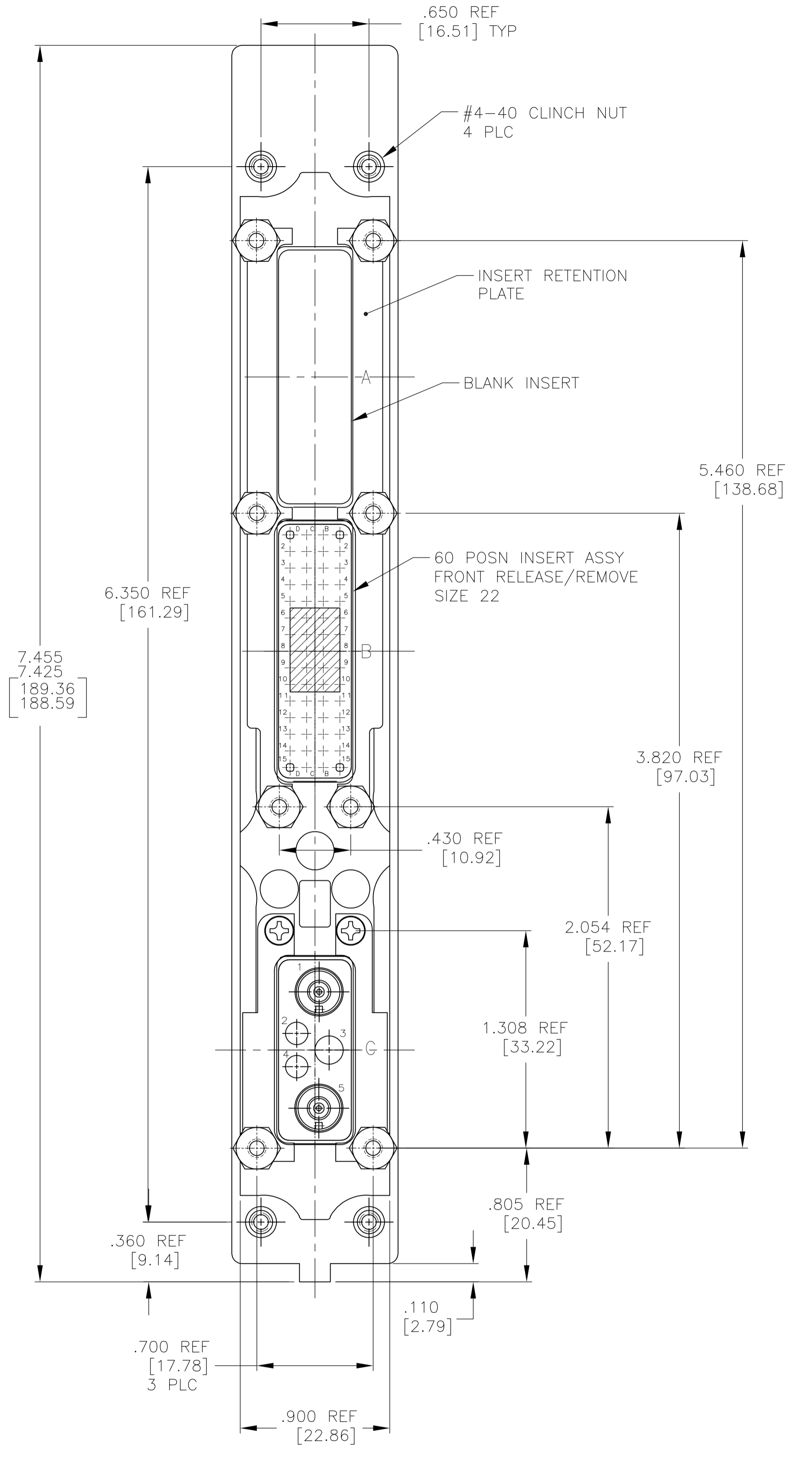
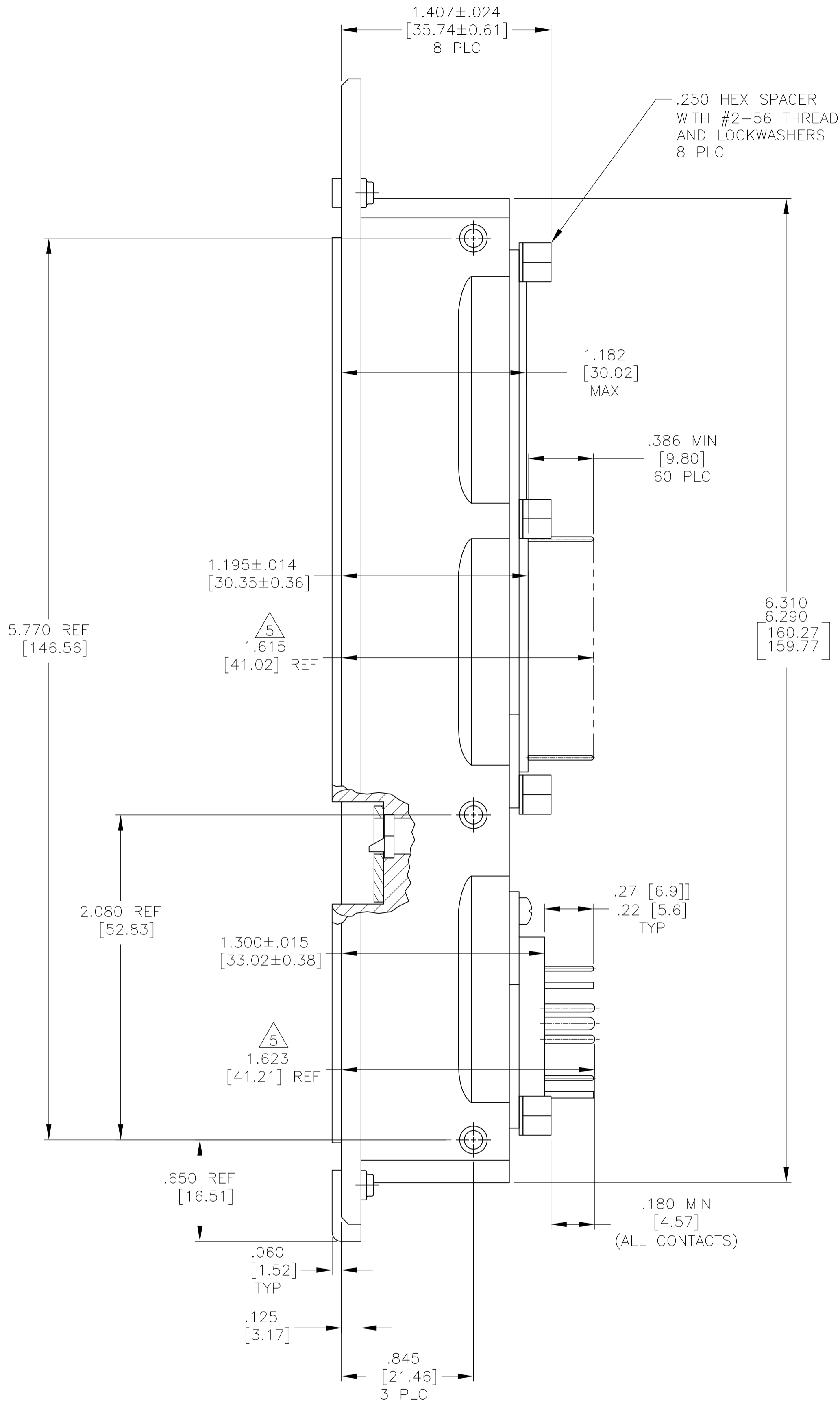
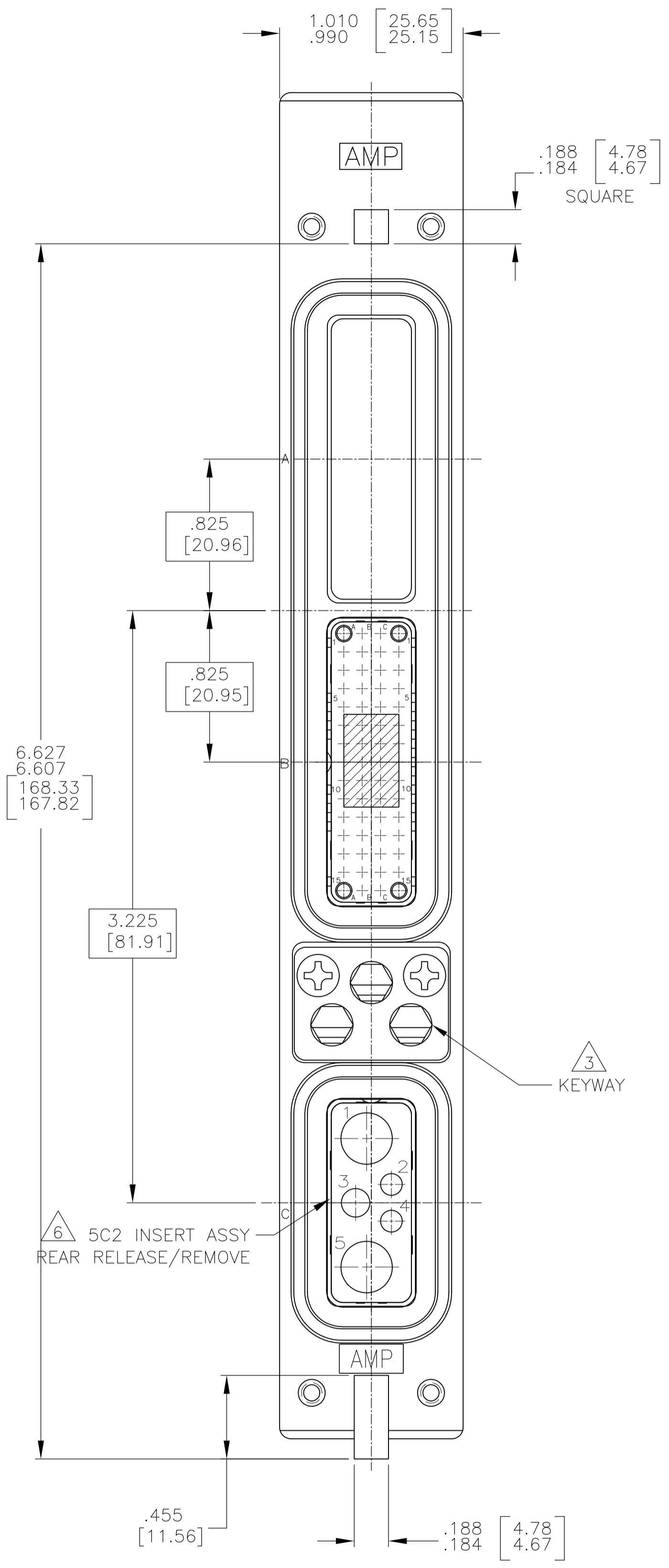
COMPONENT	MATERIAL	FINISH
SHELL	ALUMINUM ALLOY A380 PER ASTM-B-85	ELECTROLESS NICKEL PER MIL-C-26074
RETENTION PLATES	ALUMINUM ALLOY PER ASTM-B-209	ELECTROLESS NICKEL PER MIL-C-26074
PAN HEAD SCREWS AND LOCKWASHERS	STAINLESS STEEL	PASSIVATED
FLAT HEAD SCREWS (FOR KEYING HARDWARE)	STAINLESS STEEL	PASSIVATED
POLARIZING KEYS	ZINC ALLOY PER ASTM-B-86	-
POLARIZING KEY RETAINING PLATE	ALUMINUM ALLOY PER ASTM-B-209	BLUE ANODIZED PER MIL-A-8625
BLANK INSERT	TEFLON	-
60 & 5C2 INSERTS	THERMOSET	-
STANDOFF	STAINLESS STEEL	PASSIVATED

THIS DRAWING IS A CONTROLLED DOCUMENT.  
 DIMENSIONS: INCHES [mm]  
 TOLERANCES UNLESS OTHERWISE SPECIFIED:  
 0 PLC ± -  
 1 PLC ± -  
 2 PLC ± -  
 3 PLC ± .005 [0.13]  
 4 PLC ± -  
 ANGLES ± -

VIEW	KEYING POSITION	PART NUMBER
SEE SHEET #2	"136"	1757625-2
SEE SHEET #1	"02"	1757625-1

STE TE Connectivity  
 RCPT ASSY, SIZE 1, ARINC 600 (BLANK/60/5C2)  
 SIZE: A1 00779 1757625  
 SCALE: 2:1 SHEET: 1 OF 3

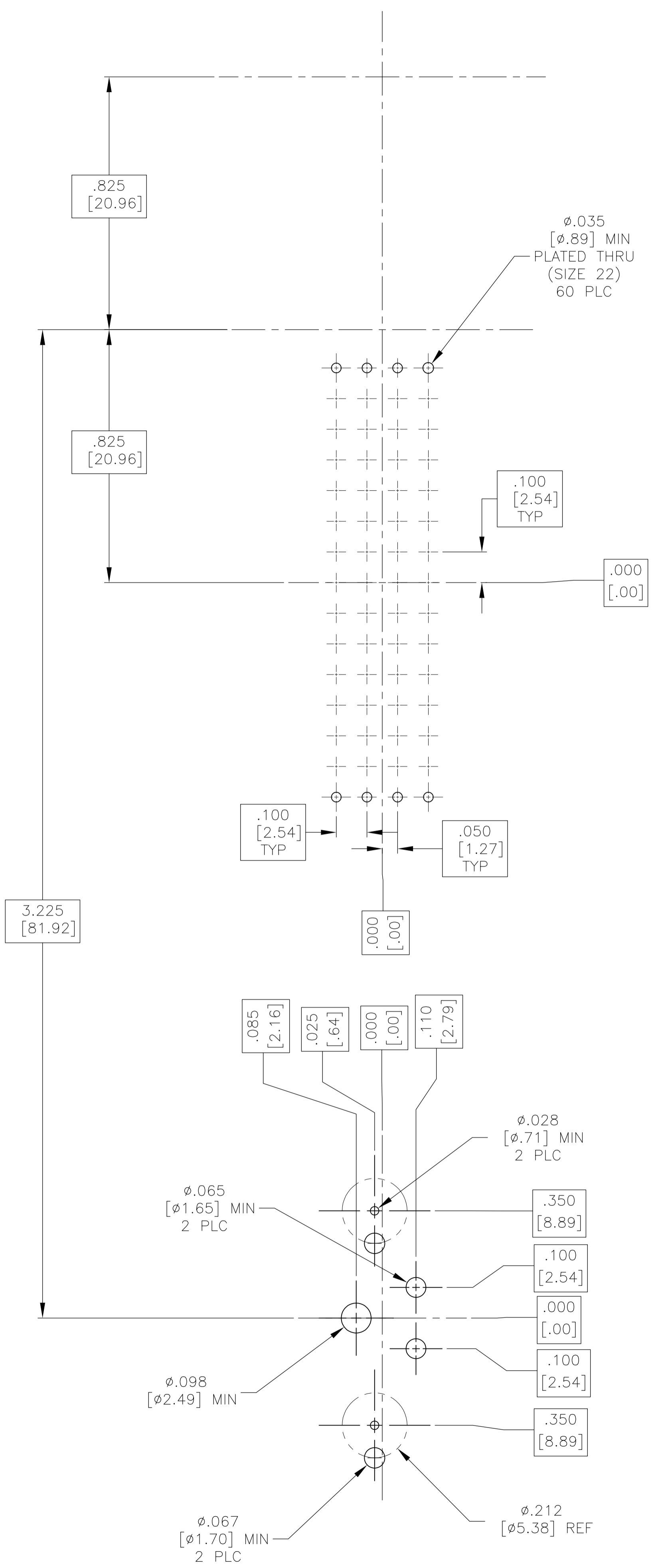
LOC		DIST		REVISIONS			
P	LYR	DESCRIPTION	DATE	DMN	APVD		
-	-	SEE SHEET 1	-	-	-	-	-



1757625-2  
AS SHOWN

THIS DRAWING IS A CONTROLLED DOCUMENT.		DMN C.C.THOMAS 1-4-05	TE Connectivity
DIMENSIONS: INCHES [mm]		CHK K.HOGAN 1-4-05	
TOLERANCES UNLESS OTHERWISE SPECIFIED:		APVD K.HOGAN 1-4-05	NAME RCPT ASSY, SIZE 1, ARINC 600 (BLANK/60/5C2)
0 PLC ± -	1 PLC ± -	PRODUCT SPEC	APPLICATION SPEC
2 PLC ± -	3 PLC ± .005 [0.13]	WEIGHT	RESTRICTED TO
4 PLC ± -	ANGLES ± -	A1 00779	SCALE 2:1 SHEET 2 OF 3 REV L
MATERIAL SEE TABLE	FINISH SEE TABLE	CUSTOMER DRAWING	

LOC		DIST		REVISIONS			
P	LYR	DESCRIPTION	DATE	DNW	APVD		
-	-	SEE SHEET 1	-	-	-		



RECOMMENDED P.C. BOARD LAYOUT  
 SCALE 4:1

THIS DRAWING IS A CONTROLLED DOCUMENT.		DIN C.C.THOMAS 1-4-05	TE Connectivity
DIMENSIONS: INCHES [mm]		CHK K.HOGAN 1-4-05	
TOLERANCES UNLESS OTHERWISE SPECIFIED:		APVD K.HOGAN 1-4-05	NAME RCPT ASSY, SIZE 1, ARINC 600 (BLANK/60/5C2)
0 PLC ± - 1 PLC ± - 2 PLC ± - 3 PLC ± .005 [0.13] 4 PLC ± - ANGLES ± -		APPLICATION SPEC	SIZE A1
MATERIAL SEE TABLE	FINISH SEE TABLE	WEIGHT -	CAGE CODE 1757625
CUSTOMER DRAWING		SCALE 2:1	SHEET 3 OF 3