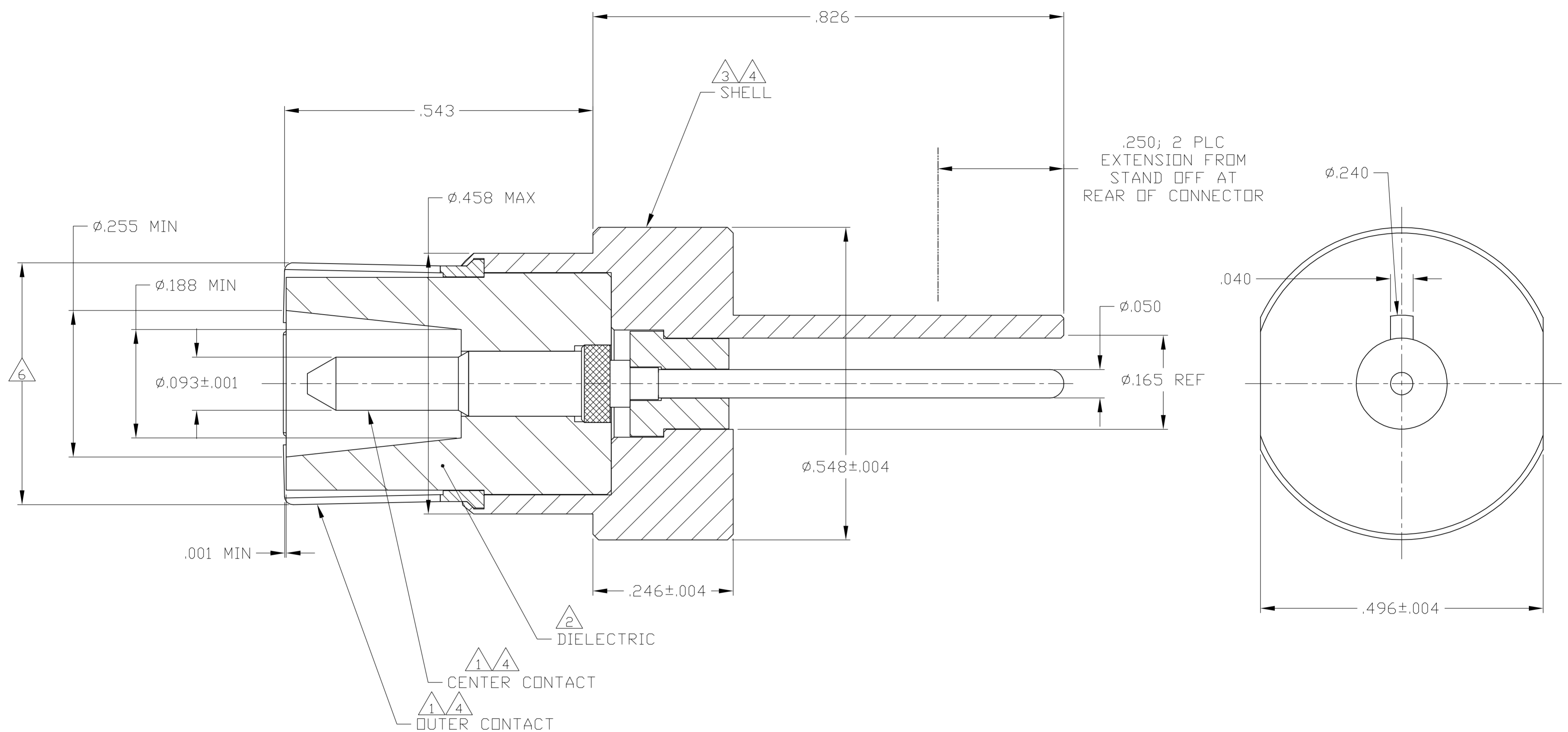


THIS DRAWING IS UNPUBLISHED. RELEASED FOR PUBLICATION - N/A .
 © COPYRIGHT N/A BY TYCO ELECTRONICS CORPORATION. ALL RIGHTS RESERVED.

LOC	DIST	REVISIONS					
DF	X0	P	LTR	DESCRIPTION	DATE	DWN	APVD
		A		REV PER OH14-0304-05	9-7-05	CT	RG



- 1 MAT'L: BERYLLIUM COPPER PER ASTM-B-196.
- 2 MAT'L: PTFE PER ASTM-D-1710.
- 3 MAT'L: STAINLESS STEEL PER ASTM-A-582
- 4 FINISH: GOLD PLATED PER ASTM-B-488.
- ~~5 FINISH: PASSIVATED PER AMSQQ P-35~~
- 6 FLARED TO MEET OUTER CONTACT GAGE TEST PER MIL-C-39012/15.

1757669-1
PART NUMBER

THIS DRAWING IS A CONTROLLED DOCUMENT.		DWN	C.C.THOMAS	2-18-05	 Tyco Electronics Corporation Harrisburg, Pa 17105-3608									
DIMENSIONS: INCHES		CHK	R.GROSS	2-18-05										
TOLERANCES UNLESS OTHERWISE SPECIFIED:		APVD	R.GROSS	2-18-05										
0 PLC ± - 1 PLC ± - 2 PLC ± - 3 PLC ± .005 4 PLC ± - ANGLES ± -		PRODUCT SPEC	NAME											
MATERIAL SEE CALLOUTS		FINISH	SEE CALLOUTS		WEIGHT	-	SIZE	A2	CAGE CODE	00779	DRAWING NO	C=1757669	RESTRICTED TO	-
CUSTOMER DRAWING		SCALE		5:1	SHEET		1	OF	1	REV		A		