

Terminals and Splices

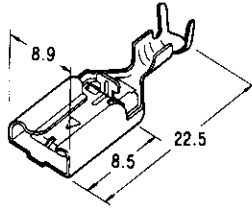
POSITIVE LOCK Connectors <Mark II>

Heavy-duty Type

312 Series Connectors for Sealed Beam

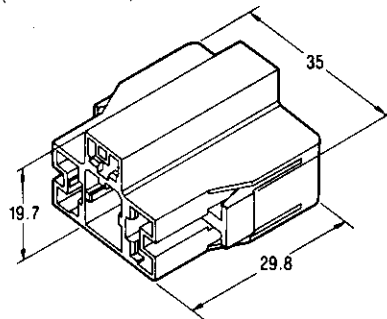
Product Specifications : 108-5131
 Instruction Sheet : 412-5120

Straight Type Receptacle Terminal



Acceptable Tab Width : 7.92mm
 Material : Tin plated brass
 Part No. : 170381-1(S.T.)
 Application Spec. : 114-5047

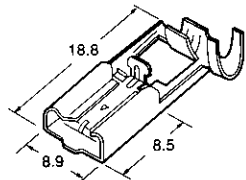
Receptacle Housing (for 3 Circuits)



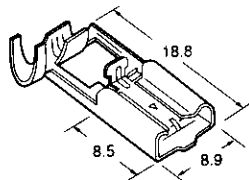
Part No. : 172236-2 (Black)
 Material : 66 Nylon

Flag Type Receptacle Terminal

Acceptable Tab Width : 7.92mm
 Material : Tin plated brass
 Application Spec. : 114-5079 (for standard wire)
 114-5220 (for thin wire)

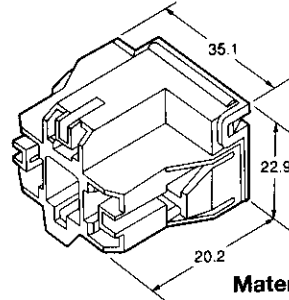


Flag Type(L)
 Terminal Part No. : 172795-1
 (for standard wire / S.T.)
 Terminal Part No. : 900319-1
 (for thin wire / S.T.)

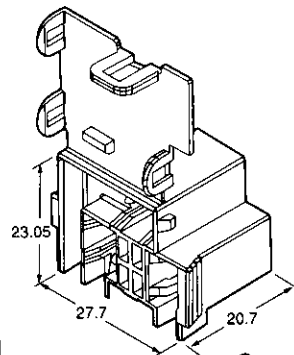


Flag Type(R)
 Terminal Part No. : 172796-1
 (for standard wire / S.T.)
 Terminal Part No. : 900318-1
 (for thin wire / S.T.)

Flag Type, for 3 circuits Receptacle Terminal



Material : 66 Nylon (Black)
 (for standard wire)
 Part No. : 172615-2
 (for thin wire)
 Part No. : 177720-2



Compact Type
 Material : PBT (Black)
 Part No. : 353752-2