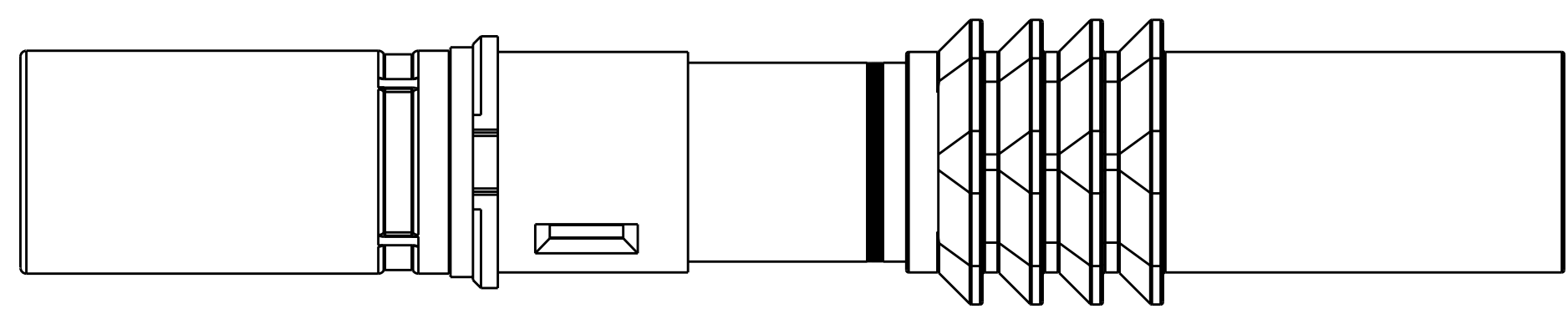
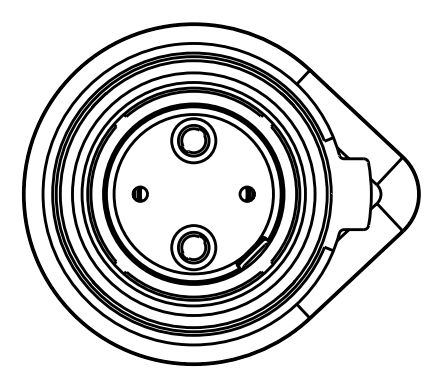
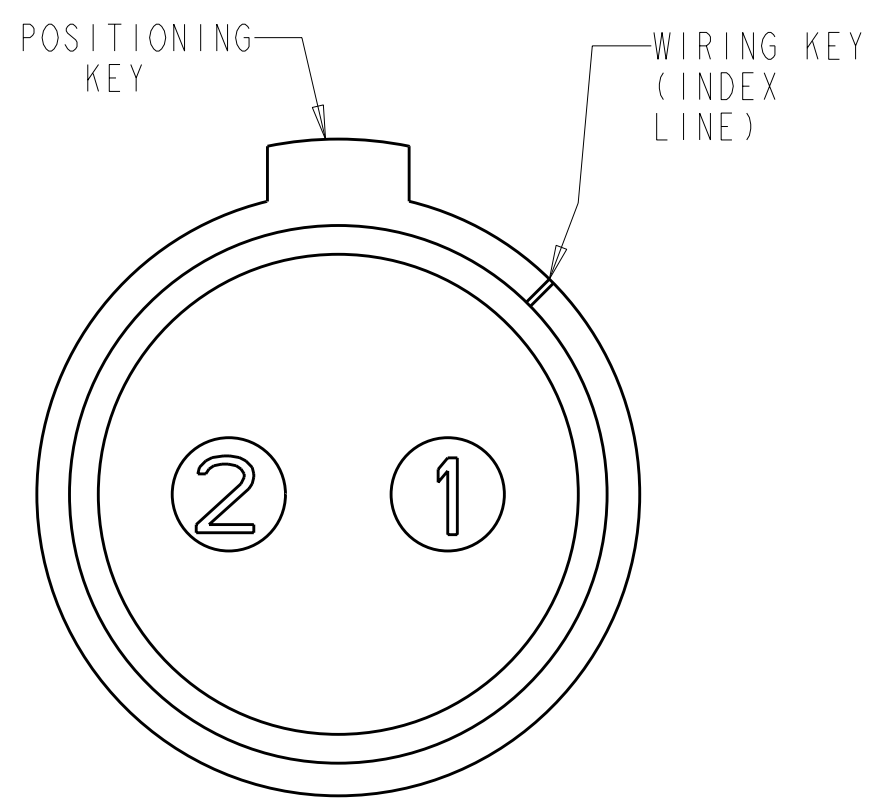
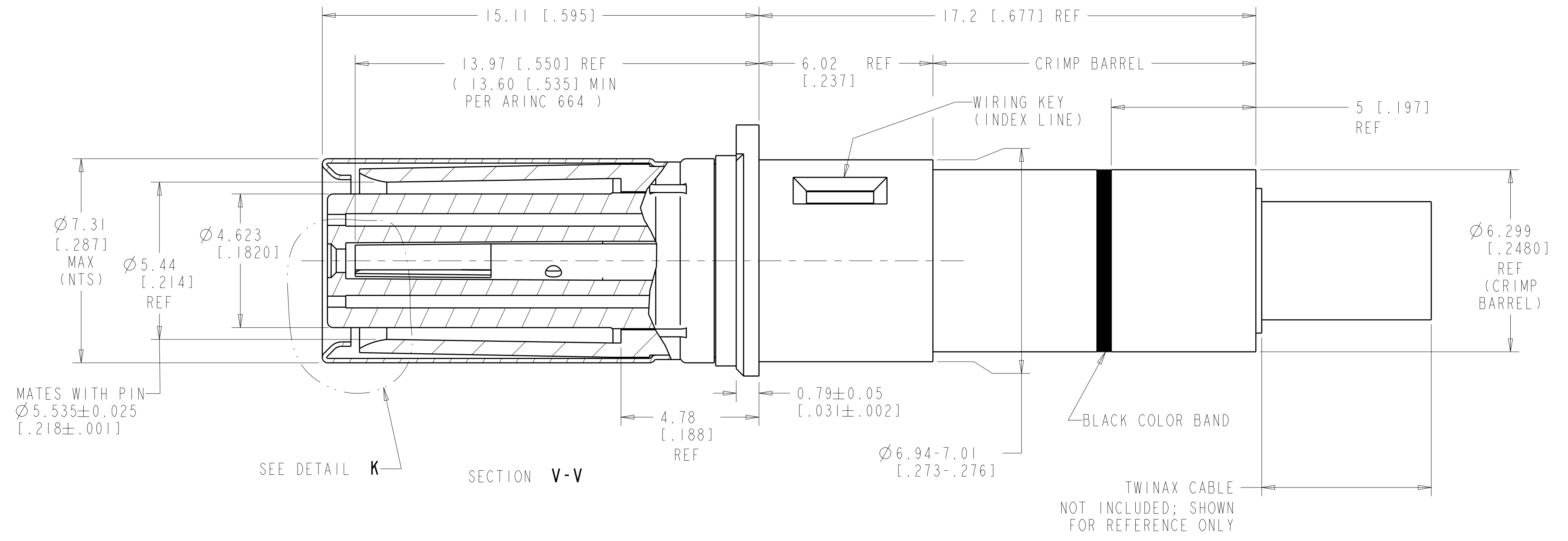
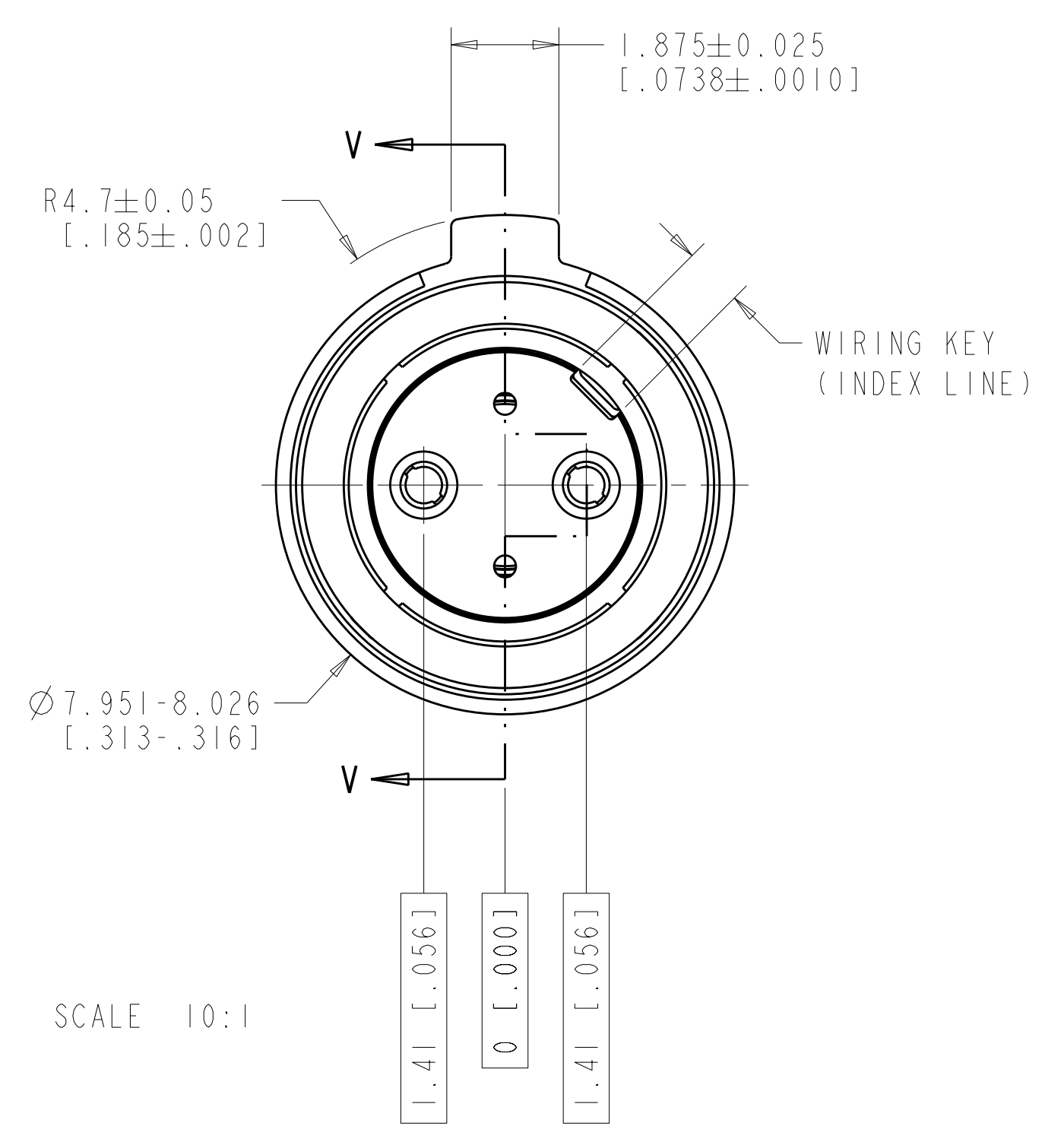


REVISONS		DATE	DWN	APVD
2	REVISED	10MAY05	BH	RW
3	ADD KITS -3 AND -4 FOR CAN APP.	19JUN06	JRE	JRE
4	120 ohms was 117 ohms	17MAY2007	DF	RW
5	ADDED VALIDATION NOTE	14AUG2007	DF	RW

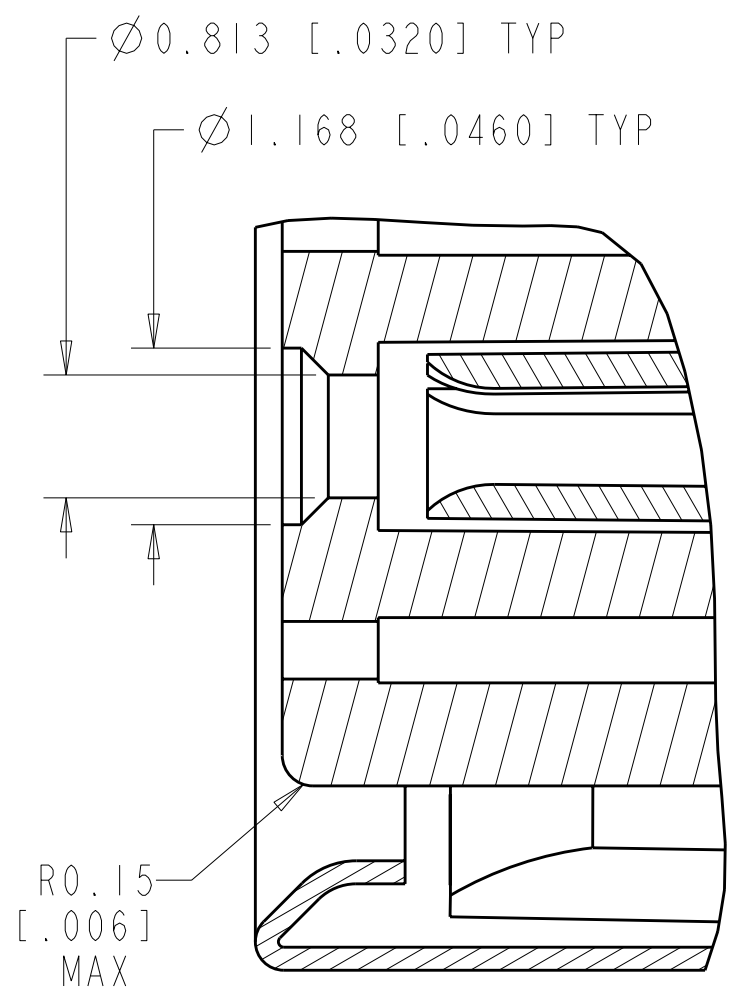


1811866-2/-4 TWINAX (FIG. 2)
 SOCKET ASSY WITH WIRE SEAL
 SCALE 5:1

**CONTACT CAVITY NUMBERING
 STANDARD CAVITY NUMBER ASSIGNMENT**



**THIS PRODUCT
 HAS NOT
 COMPLETED
 VALIDATION
 TESTING**



DETAIL K
 SCALE 20:1

- COMPONENTS ARE PACKAGED IN KIT FORM. CABLE MUST BE PURCHASED SEPARATELY.
- USE INSERTION-EXTRACTION TOOL 1738196-1.

P/N:	DESCRIPTION	PART NO.
P/N: 1726A1424; (120 ohms, 26 AWG)	AS SHOWN (FIG.2); WITH WIRE SEAL	1811866-4
P/N: 1726A1424; (120 ohms, 26 AWG)	AS SHOWN; WITHOUT WIRE SEAL	1811866-3
P/N: 0024T1426; (100 ohms, 24 AWG)	AS SHOWN (FIG.2); WITH WIRE SEAL	1811866-2
P/N: 0024T1426; (100 ohms, 24 AWG)	AS SHOWN; WITHOUT WIRE SEAL	1811866-1
RECOMMENDED RAYCHEM CABLE		

DIMENSIONS: mm [INCH]	TOLERANCES UNLESS OTHERWISE SPECIFIED: 9 PLC ±. 1 PLC ±0.2 [.008] 2 PLC ±0.13 [.005] 3 PLC ±0.051 [.002] 4 PLC ±. ANGLES ±. FINISH ±.	DWN: 15MAR2005 CHY: Brent D. Tohn APVD:	Tyco Electronics Harrisburg, PA 17105-3608
MATERIAL:		PRODUCT SPEC:	NAME: ASSY, SOCKET, TWINAX RR-RR, .218 HEX CRIMP
FINISH:		APPLICATION SPEC:	SIZE: CAGE CODE: DRAWING NO: 00779 C=1811866
WEIGHT:		CUSTOMER DRAWING:	RESTRICTED TO: