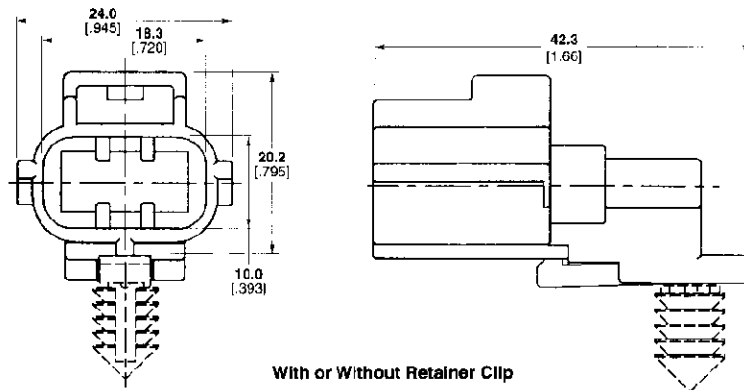


Three Position (Continued)

**End Cap Housings
(Wire-to-Wire Circuits Closed)
End Cap Assembly
(Wire-to-Wire Circuits Closed
with Retainer Clip)**

Material:

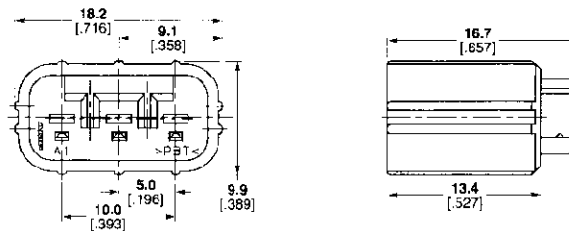
Housing—Glass-filled PBT
Standard Temp. 125°C



Cap Lock Plate

Material:

Lock Plate—PBT, yellow



Type	Keying	Color	Additional Notes	Part Number	Mating Half Part Number	Mating Half Part Number	Mating Half Part Number
Cap Housing	A	Black	Requires P/N 184196-1	184192-1	184032-1	184270-1	—
Cap Housing	B	Black	Requires P/N 184196-1	184193-1	184034-1	184271-1	—
Cap Housing	C	Black	Requires P/N 184196-1	184194-1	184036-1	184272-1	—
Cap Housing	D	Black	Requires P/N 184196-1	184195-1	184038-1	184273-1	—
Cap Lock Plate	—	Yellow	Required with all 3 position Cap Housings	184196-1	—	—	—
End Cap Assembly	A	Black	End Cap Housing With Retainer Which Fits 6.5mm Diameter Hole	184197-1	184032-1	184270-1	—
End Cap Assembly	B	Black	End Cap Housing With Retainer Which Fits 6.5mm Diameter Hole	184198-1	184034-1	184271-1	—
End Cap Assembly	C	Black	End Cap Housing With Retainer Which Fits 6.5mm Diameter Hole	184199-1	184036-1	184272-1	—
End Cap Assembly	D	Black	End Cap Housing With Retainer Which Fits 6.5mm Diameter Hole	184200-1	184038-1	184273-1	—
End Cap Assembly	—	Black	End Cap Housing With Retainer Which Fits 6.5mm Diameter Hole	184319-1	—	—	—
End Cap Housing	A	Black	All Circuits Molded Closed	184188-1	184032-1	184270-1	—
End Cap Housing	B	Black	All Circuits Molded Closed	184189-1	184034-1	184271-1	—
End Cap Housing	C	Black	All Circuits Molded Closed	184190-1	184036-1	184272-1	—
End Cap Housing	D	Black	All Circuits Molded Closed	184191-1	184038-1	184273-1	—
Plug Assembly	A	Black		184032-1	184188-1	184192-1	184197-1
Plug Assembly	A	Black	With CPA	184270-1	184188-1	184192-1	184197-1
Plug Assembly	A	Black	Circuit #2 Blocked	184292-1	—	—	—
Plug Assembly	A	Black	Circuit #3 Blocked	184311-1	—	—	—
Plug Assembly	A	Gray	Circuit # 2 Blocked	184292-2	—	—	—
Plug Assembly	B	Black		184034-1	184193-1	184189-1	—
Plug Assembly	B	Black	With CPA	184271-1	184193-1	184189-1	184198-1
Plug Assembly	B	Black	150°C Material	184315-1	—	—	—
Plug Assembly	C	Black		184036-1	184194-1	184190-1	184199-1
Plug Assembly	C	Black	With CPA	184272-1	184194-1	184190-1	184199-1
Plug Assembly	D	Black		184038-1	184195-1	184191-1	184200-1
Plug Assembly	D	Black	With CPA	184273-1	184195-1	184191-1	184200-1