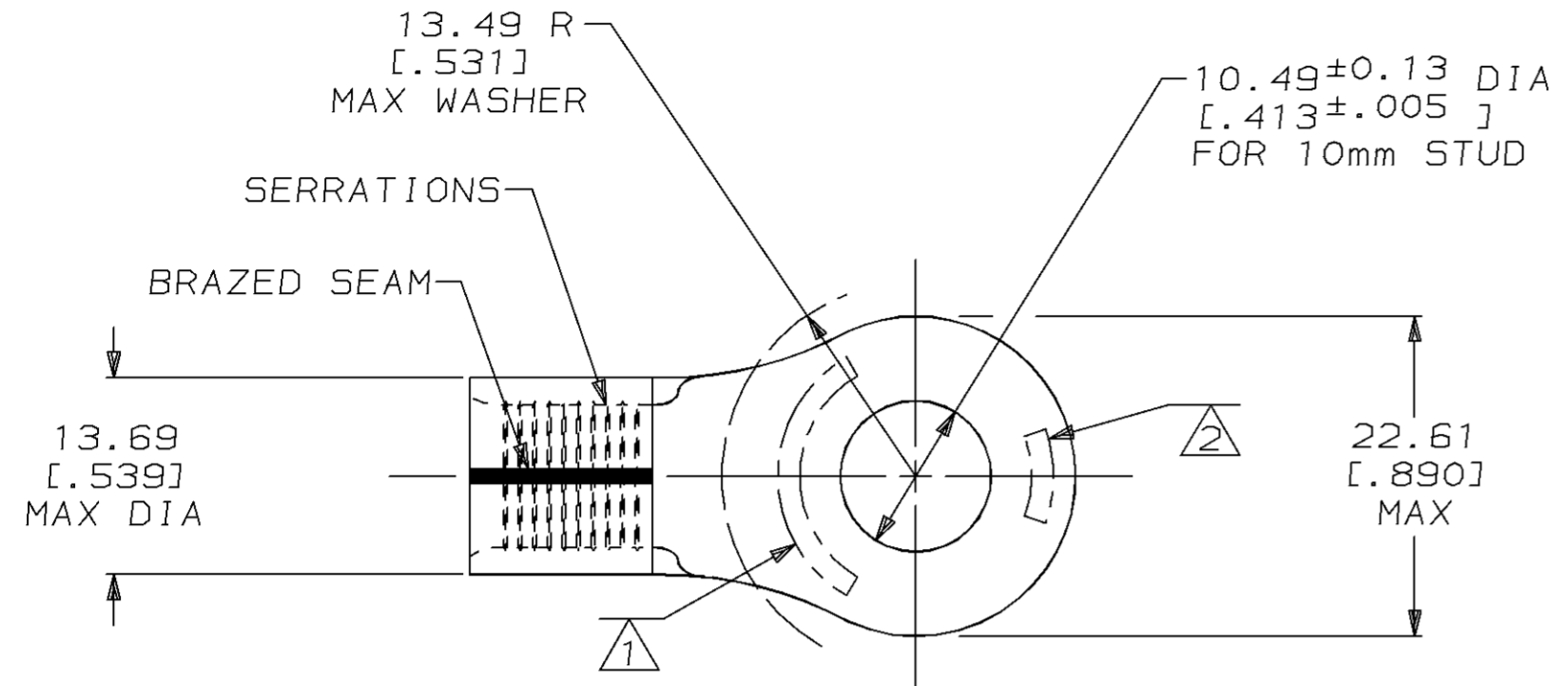


THIS DRAWING IS UNPUBLISHED. RELEASED FOR PUBLICATION ,19 .
 © COPYRIGHT 19 BY AMP INCORPORATED. ALL INTERNATIONAL RIGHTS RESERVED.

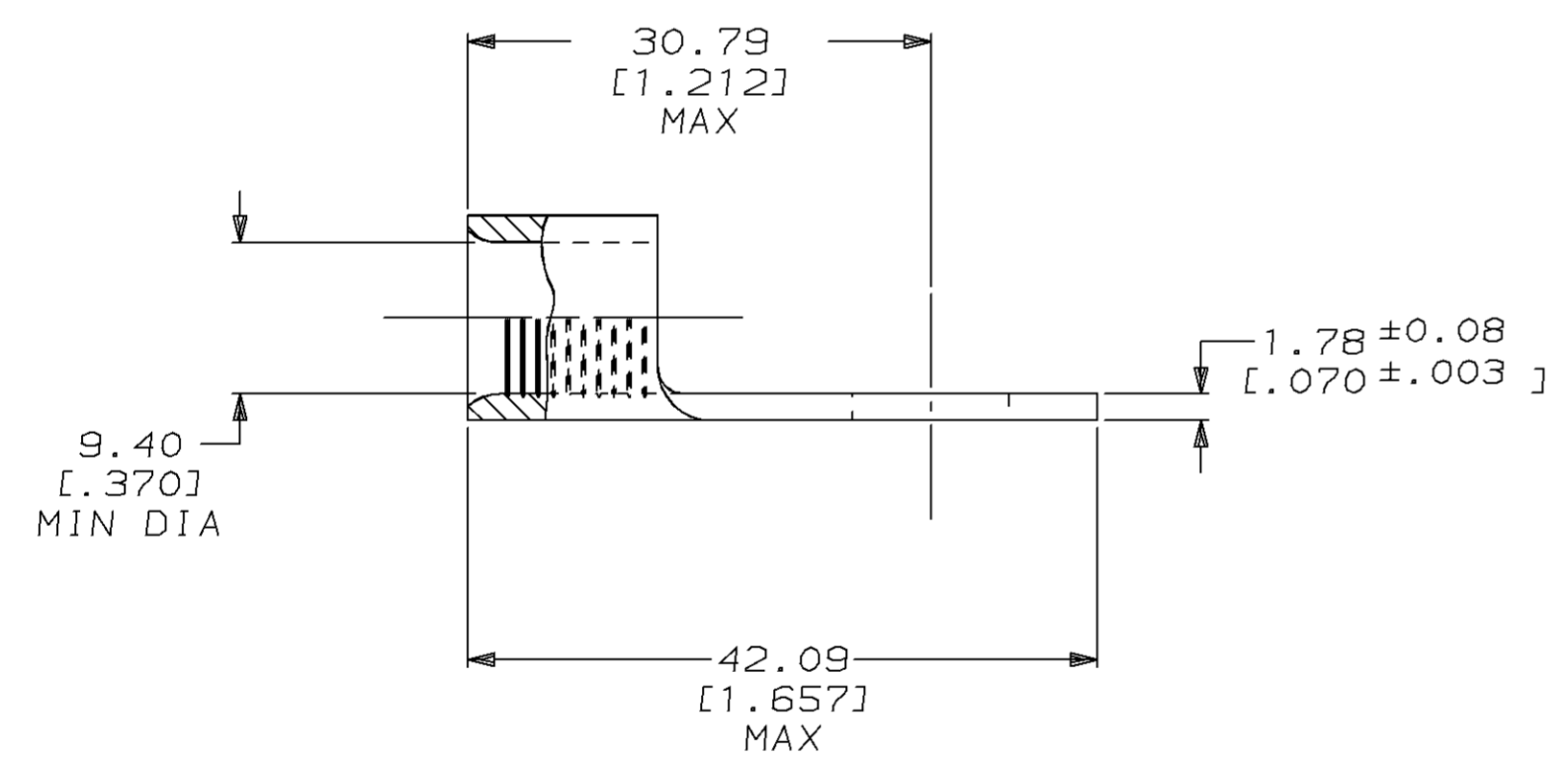
| LOC | DIST | P | F | ZONE | LTR | DESCRIPTION | DATE | APPD |
|-----|------|---|---|------|-----|------------------------|---------|---------|
| G | 14 | | | | 0 | RELEASED PER PR 94-116 | 03NOV94 | OKS AJK |

METRIC
 DIMENSIONS LISTED IN mm [INCHES]



| | |
|-------------------------------|----------------------------|
| AMP WIRE RANGE | UL E13288 Listed |
| 2 AWG SOLID OR STRANDED | 2 AWG STRANDED |
| SR LR7189 Certified | MILITARY P/N AND CLASS |
| 2 AWG SOLID OR STRANDED | NOT APPLICABLE |

- ① STAMP AMP 2W* APPROX AS SHOWN
- ② STAMP 60-75 APPROX AS SHOWN



184068-1
 PART NO

AMP INCORPORATED
 CUSTOMER SERVICE SYSTEMS

MAX RECOMMENDED OPERATING TEMPERATURE:
 170°C MAX

DO NOT SCALE PRINT. UNLESS SPECIFIED DIMENSIONS IN mm [INCHES]— TOLERANCES ON :
 2 PLC DEC ± -
 3 PLC DEC ± -
 ANGLES ± -
 MATERIAL
 COPPER PER ASTM B-152 ANNEALED
 FINISH
 TIN PLATE 0.00254[.000100] MIN THK PER MIL-T-10727

DR 03NOV94 DK SCHRUM
 CHK 08NOV94 DA PATTERSON
 APPD 08NOV94 CH KULYNYCH
 APPD 08NOV94 JL MECKLEY
 PRODUCT SPEC -
 APPLICATION SPEC -
 WEIGHT -

AMP AMP Incorporated
 Harrisburg, PA 17105-3608
 NAME
TERMINAL, RING TONGUE, SOLISTRAND™
 SIZE CAGE CODE DRAWING NO
 C 00779 C=184068
 SCALE 2:1 SHEET 1 OF 1

FOR ADDITIONAL PRODUCT INFORMATION OR COPIES OF DRAWINGS AND TECHNICAL DOCUMENTS
 FOR APPLICATION TOOLING INFORMATION
 FOR ORDER ENTRY

PRODUCT INFORMATION CENTER 1-800-522-6752
 TOOLING ASSISTANCE CENTER 1-800-722-1111
 1-800-526-5142

VOLTAGE RATING:
 NOT APPLICABLE
 WIRE CROSS SECTIONAL AREA RANGE:
 26.7-42.4mm² [52,600-83,700] CIR MILS
 SOLID OR STRANDED
 THIS DRAWING IS A CONTROLLED DOCUMENT FOR AMP INCORPORATED. IT IS SUBJECT TO CHANGE AND THE CONTROLLING ENGINEERING ORGANIZATION SHOULD BE CONTACTED FOR THE LATEST REVISION.