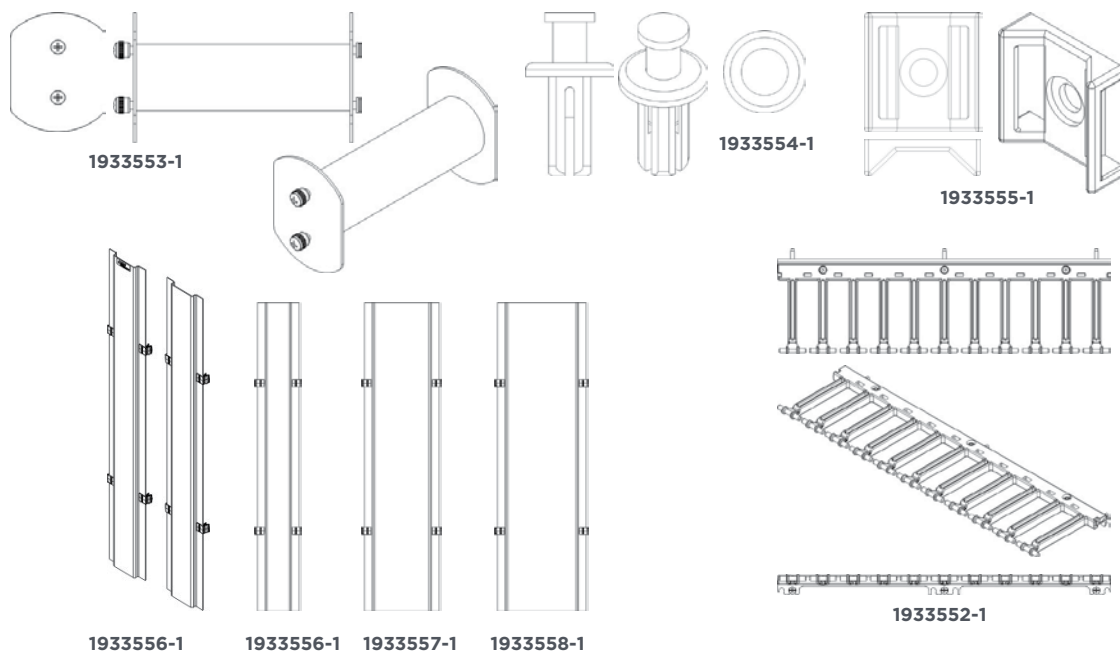


High Density Cable Management Accessories

1933552-1, 1933553-1, 1933554-1, 1933555-1 1933556-1,
1933557-1, 1933558-1



TE Connectivity's (TE) high density cable management is designed to simplify routing high density cabling between racks and bays. TE offers a wide variety of accessories and replacement parts for high density cable management products.

Replacement door kits are available for vertical cable managers which include upper and lower door sections.

Finger bracket kits are available which mount vertically, directly to a rack.

Cable spools offer a convenient way to spool excess fiber or copper cables within the vertical cable management channels. Each spool provides a 1.1 inch [28 mm] bend radius and each kit includes two spools, and mounting channels and hardware.

Also available are plastic fasteners which allow quick mounting of accessories and cable strap mounts which allow cable ties to be used in the cable management channels. Each of these is available in packages of 100, standard.

SPECIFICATION (TEXT IN BRACKETS [] REQUIRES A CHOICE)

Cable management shall accommodate a high concentration of 4-pair cables. Cable managers shall be fitted with **[cable spools, cable tie mounts]**. Cable manager accessories shall be TE part number(s) **[1933553-1, 1933554-1, 1933555-1]**

High Density Cable Management Accessories

1933552-1, 1933553-1, 1933554-1, 1933555-1 1933556-1, 1933557-1, 1933558-1

SPECIFICATIONS

MATERIALS

Finger Sections:	UL 94V-0 Polycarbonate, black
Finger Section Brackets:	14 Gauge carbon steel, flat black polyester powder coating finish (1F59126)
Cable Manager Covers:	5052-H32 Aluminum 2.29 mm [0.09 in], flat black polyester powder coating finish (1F59126)
Door Latches/Hinge Clips:	UL 94V-0 rated polycarbonate, black
Cable Spool End Plates:	5052-H32 Aluminum 2.29 mm [0.09 in], flat black polyester powder coating finish (1F59126)
Cable Spool Tube:	Black PVC
Cable Spool Extrusion:	6063-T6 Aluminum extrusion, flat black polyester powder coating finish (1F59126)
Fasteners:	Black nylon
Cable Strap Mount:	Black nylon

ORDERING INFORMATION

Product Description	Part Number	
Replacement Door Kit	6 inch	1933556-1
	10 inch	1933557-1
	12 inch	1933558-1
Finger Bracket	1933552-1	
Cable Spools	1933553-1	
Fasteners	1933554-1	
Cable Strap Mounts	1933555-1	

DATA SHEET



Contact us:
Greensboro, NC
USA 27409-8420
Tel: 1-800-553-0938
Fax: 1-717-986-7406

www.te.com/EnterpriseNetworks

TE Connectivity, TE connectivity (logo), Tyco Electronics, and TE (logo) are trademarks of the TE Connectivity Ltd. family of companies and its licensors. All other logos, products and/or company names referred to herein might be trademarks of their respective owners.

The information given herein, including drawings, illustrations and schematics which are intended for illustration purposes only, is believed to be reliable. However, TE Connectivity makes no warranties as to its accuracy or completeness and disclaims any liability in connection with its use. TE Connectivity's obligations shall only be as set forth in TE Connectivity's Standard Terms and Conditions of Sale for this product and in no case will TE Connectivity be liable for any incidental, indirect or consequential damages arising out of the sale, resale, use or misuse of the product. Users of TE Connectivity products should make their own evaluation to determine the suitability of each such product for the specific application.

Tyco Electronics Corporation, a TE Connectivity Ltd. Company. All Rights Reserved.

318101AE 1/14 Revision © 2014, 2013, 2008