



Connectors > Power Connectors > Power Contacts



Product Type: **Contact**

Wire Size: **21 mm²**

Connector System: **Wire-to-Wire**

Connector & Contact Terminates To: **Wire & Cable**

Features

Product Type Features

Product Type	Contact
Connector System	Wire-to-Wire
Connector & Contact Terminates To	Wire & Cable

Electrical Characteristics

Voltage Drop	9 mV
Continuous Current Rating	100 A

Contact Features

Louvertac Band Plating Material	Gold, Silver
Louvertac Band Material	Beryllium Copper
Louvertac Band	With
Socket Plating Material	Silver
Contact Current Rating (Max)	76 A
Contact Type	Socket
Contact Retention Within Housing	With
Contact Base Material	Copper Alloy
Contact Mating Area Plating Material	Silver
Contact Mating Area Plating Thickness	5 μm[200 μin]

Contact Termination Area Plating Material	Silver
Contact Termination Area Plating Thickness	5 µm[40 µin]
Wire Contact Termination Area Plating Material	Silver
Crimp Area Plating Finish	Silver
Crimp Area Plating Thickness	5 µm[200 µin]
Contact Orientation	Straight
Contact Underplating Material	Nickel
Underplate Material Thickness	1 µm[40 µin]

Termination Features

Termination Type	Crimp
------------------	-------

Mechanical Attachment

Connector Mounting Type	Cable Mount (Free-Hanging)
Wire Insulation Support	Without
Mount Type	Crimp

Dimensions

Wire Size	21 mm ²
Mating Pin Diameter	6 mm[.236 in]

Usage Conditions

Operating Temperature Range	-55 – 125 °C[-67 – 257 °F]
-----------------------------	----------------------------

Operation/Application

Circuit Application	Power
---------------------	-------

Industry Standards

Glow Wire Rating	Standard Part - Not Glow Wire
------------------	-------------------------------

Packaging Features

Packaging Method	Tray
Packaging Quantity	24

Product Compliance

[For compliance documentation, visit the product page on TE.com>](#)

EU RoHS Directive 2011/65/EU	Compliant
EU ELV Directive 2000/53/EC	Compliant



China RoHS 2 Directive MIIT Order No 32, 2016	No Restricted Materials Above Threshold
EU REACH Regulation (EC) No. 1907/2006	Current ECHA Candidate List: JUL 2019 (201) Candidate List Declared Against: JUL 2019 (201) Does not contain REACH SVHC
EU REACH Regulation (EC) No. 1907/2006	Current ECHA Candidate List: JUL 2019 (201) Candidate List Declared Against: JUL 2019 (201)
Halogen Content	Low Halogen - Br, Cl, F, I < 900 ppm per homogenous material. Also BFR/CFR/PVC Free
Solder Process Capability	Not applicable for solder process capability

Product Compliance Disclaimer

This information is provided based on reasonable inquiry of our suppliers and represents our current actual knowledge based on the information they provided. This information is subject to change. The part numbers that TE has identified as EU RoHS compliant have a maximum concentration of 0.1% by weight in homogenous materials for lead, hexavalent chromium, mercury, PBB, PBDE, DBP, BBP, DEHP, DIBP, and 0.01% for cadmium, or qualify for an exemption to these limits as defined in the Annexes of Directive 2011/65/EU (RoHS2). Finished electrical and electronic equipment products will be CE marked as required by Directive 2011/65/EU. Components may not be CE marked. Additionally, the part numbers that TE has identified as EU ELV compliant have a maximum concentration of 0.1% by weight in homogenous materials for lead, hexavalent chromium, and mercury, and 0.01% for cadmium, or qualify for an exemption to these limits as defined in the Annexes of Directive 2000/53/EC (ELV). Regarding the REACH Regulations, TE's information on SVHC in articles for this part number is still based on the European Chemical Agency (ECHA) 'Guidance on requirements for substances in articles' (Version: 2, April 2011), applying the 0.1% weight on weight concentration threshold at the finished product level. TE is aware of the European Court of Justice ruling of September 10th, 2015 also known as O5A (Once An Article Always An Article) stating that, in case of 'complex object', the threshold for a SVHC must be applied to both the product as a whole and simultaneously to each of the articles forming part of its composition. TE has evaluated this ruling based on the new ECHA "Guidance on requirements for substances in articles" (June 2017, version 4.0) and will be updating its statements accordingly.

Compatible Parts

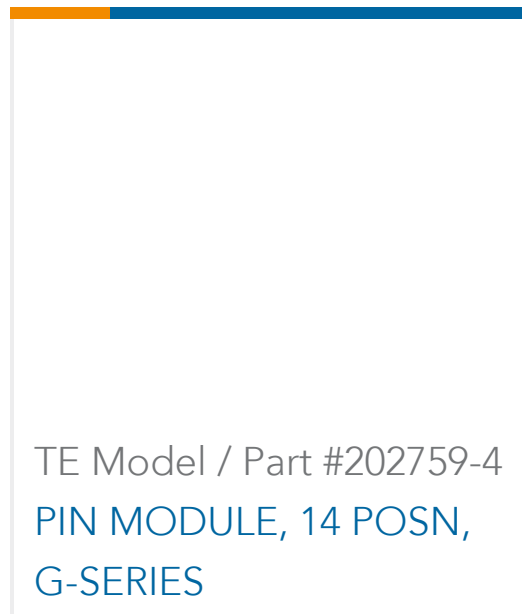
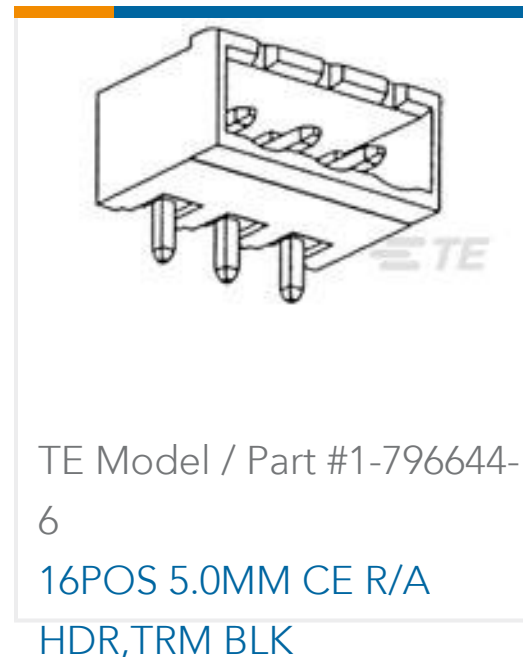
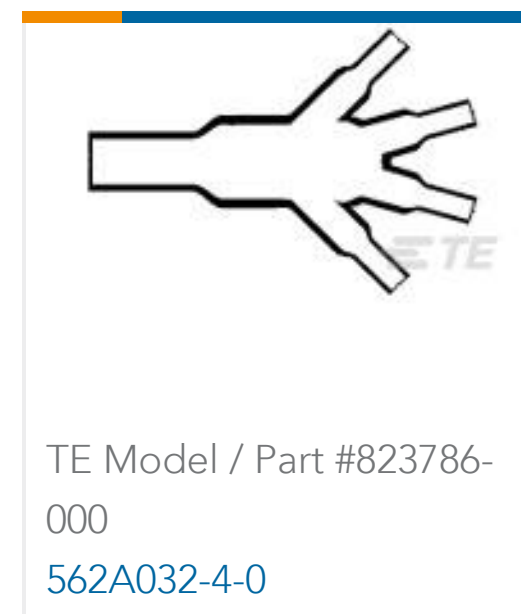


TE Model / Part # 1583093-1
DIE ASSEMBLY,
AMPOWER,#4



TE Model / Part # 69134-2
DIE ASSY AMPOWER U/O
69099 #4

Customers Also Bought



Documents

Product Drawings

[SKT ASSY., CRIMP, 6MM, 4AWG](#)

English

CAD Files

Customer View Model

[ENG_CVM_193673-5_D.3d_stp.zip](#)

English

Customer View Model

[ENG_CVM_193673-5_D.2d_dxf.zip](#)

English

Customer View Model

[ENG_CVM_193673-5_D.3d_igs.zip](#)

English

[3D PDF](#)

English

Datasheets & Catalog Pages

[POWER_CONNECTORS_CATALOG_SEC02_CABLE_MOUNTED](#)



English

Product Specifications

Application Specification

English

Application Specification

English