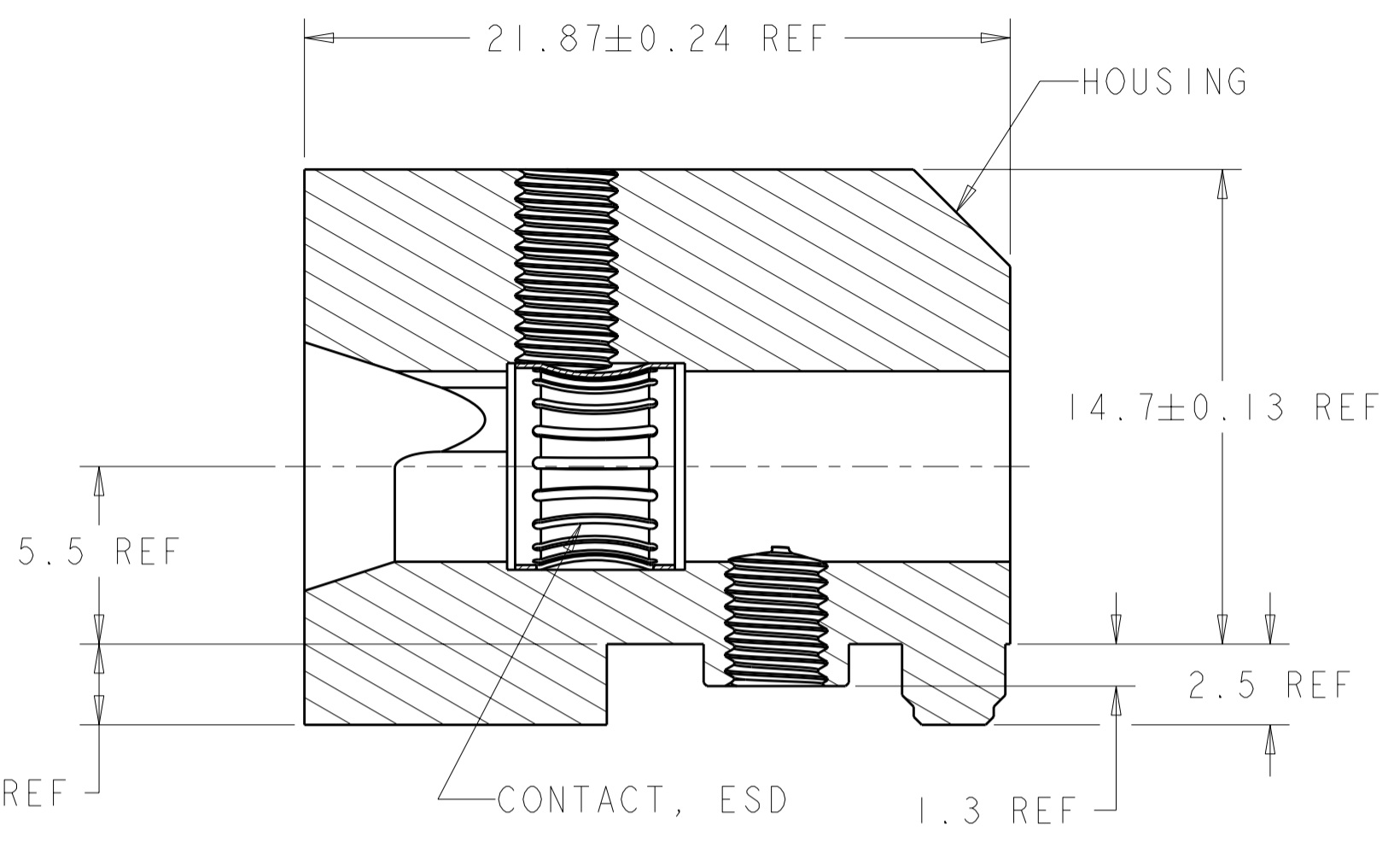
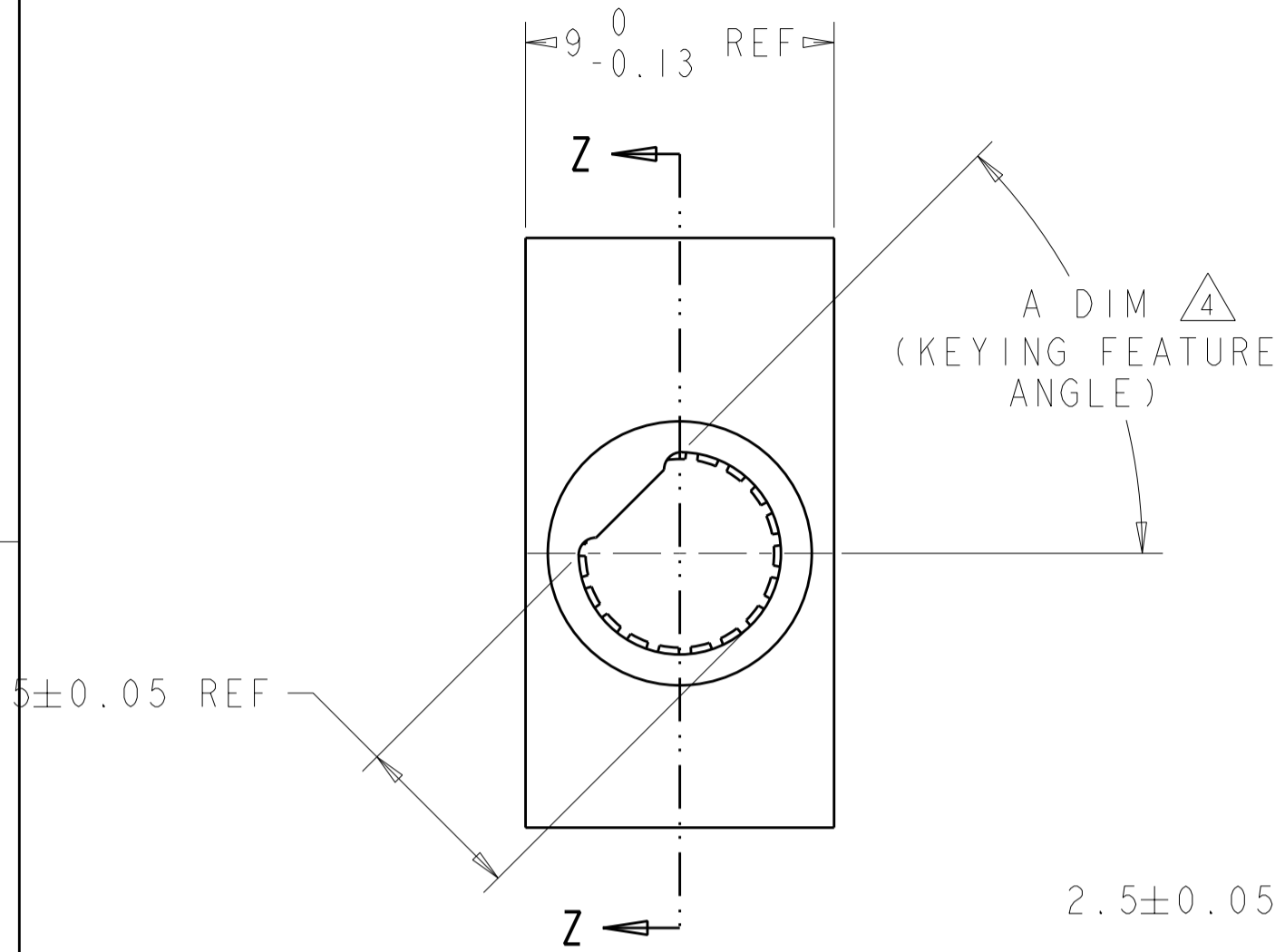


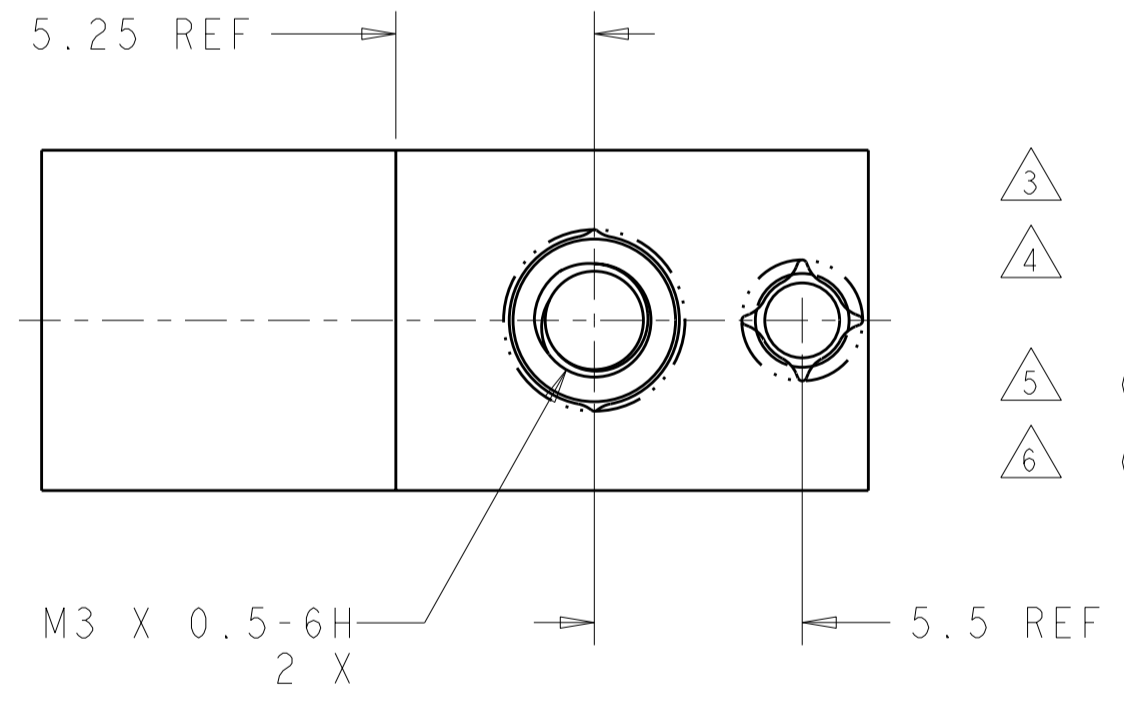
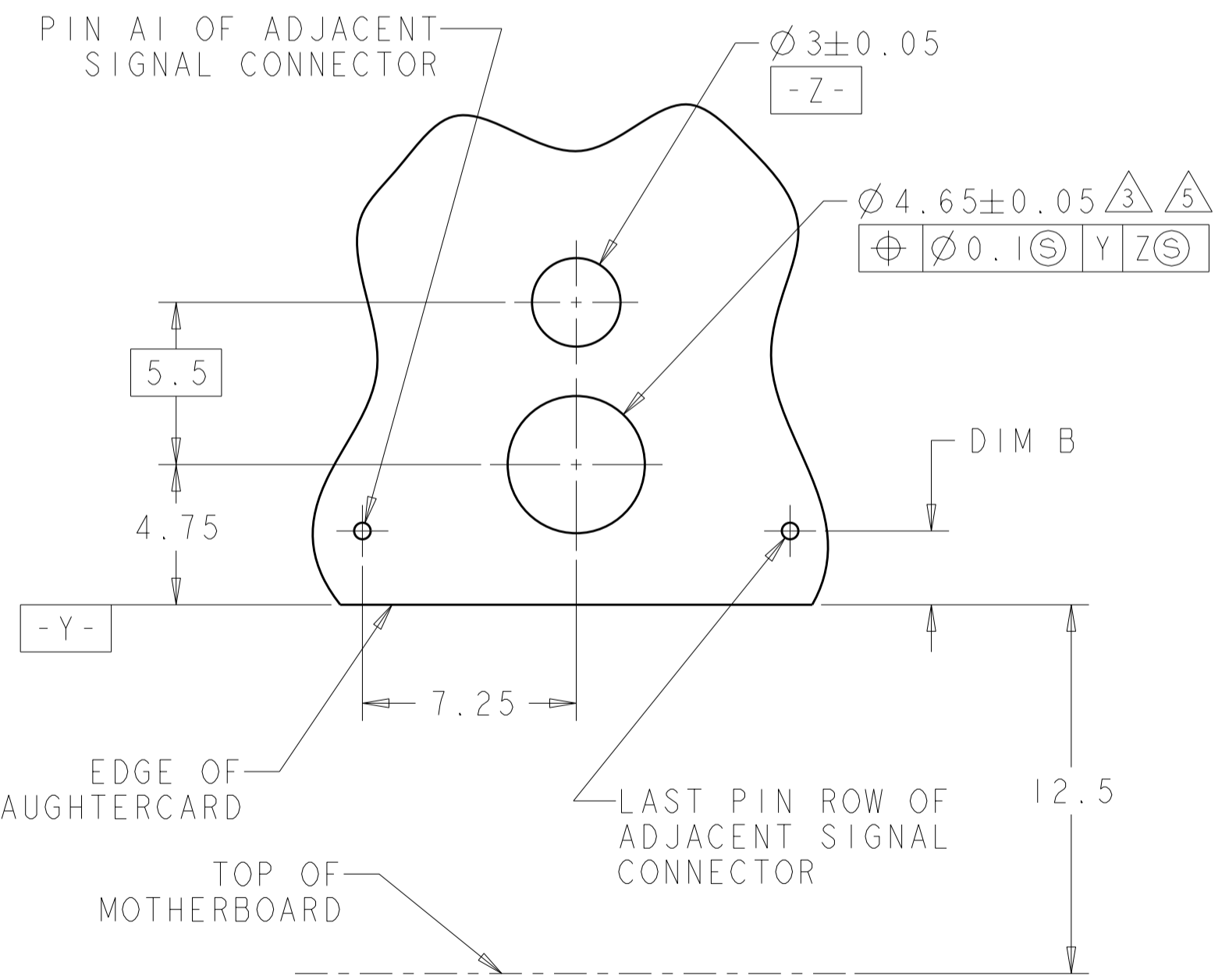
THIS DRAWING IS UNPUBLISHED. RELEASED FOR PUBLICATION 20
 © COPYRIGHT 20 BY - ALL RIGHTS RESERVED.

REVISIONS							
LOC	DIST	P	LTR	DESCRIPTION	DATE	DWN	APVD
DF	A5	8		14.7 TOLERANCE WAS 0.05	12MAY2011	AT	AT



SECTION Z-Z

- $\triangle 1$ MATERIAL: HOUSING: ALUMINUM 6061.
CONTACT: BeCu
- $\triangle 2$ FINISH:
HOUSING: 3.81µm MIN SEMI-BRITE SILVER
OVER 1.27µm MIN NICKEL OVER 7.62µm MIN COPPER.
CONTACT: 1.27µm MIN SILVER OVER 1.02µm
MIN NICKEL.
- $\triangle 3$ HOLE FOR POSITIVE RETENTION SCREW.
- $\triangle 4$ DASH NUMBERS INDICATE KEY ORIENTATION
(P/N 2000807-2 SHOWN ON DRAWING)
- $\triangle 5$ GROUND PAD $\varnothing 5$ mm ON BOTH SIDE OF PCB.
- $\triangle 6$ GUIDE MODULE W/O KEYING



$\triangle 6$	2000807-6
315°	2000807-5
270°	2000807-4
90°	2000807-3
45°	2000807-2
0°	2000807-1
A DIM	PART NUMBER

THIS PRODUCT HAS NOT COMPLETED VALIDATION TESTING

PRIMARY PCB LAYOUT CONNECTOR SIDE

1.5	TIER 2 (7-ROW)
2.25	TIER 2
2.5	TIER 1
DIM B	PRODUCT

THIS PRINT IS
PRELIMINARY
 UNQUALIFIED PRODUCT
 CONTACT PRODUCT ENGINEERING
 BEFORE USING THIS PRINT

THIS DRAWING IS A CONTROLLED DOCUMENT.		DWN	21APR2009	
DIMENSIONS: mm		CHK	G. DOUJY 08FEB2011	
TOLERANCES UNLESS OTHERWISE SPECIFIED:		APVD	ALBERT TSANG 08FEB2011	
0 PLC ±		NAME	ALBERT TSANG	
1 PLC ±.01		PRODUCT SPEC	-	
2 PLC ±.01		APPLICATION SPEC	-	
3 PLC ±.		WEIGHT	-	
4 PLC ±.		SIZE	A200779	
ANGLES ±1		CAGE CODE	C-2000807	
FINISH		DRAWING NO	-	
$\triangle 1$ -		RESTRICTED TO	-	
$\triangle 2$ -		SCALE	5:1	
CUSTOMER DRAWING		SHEET	1 OF 1	
		REV	8	