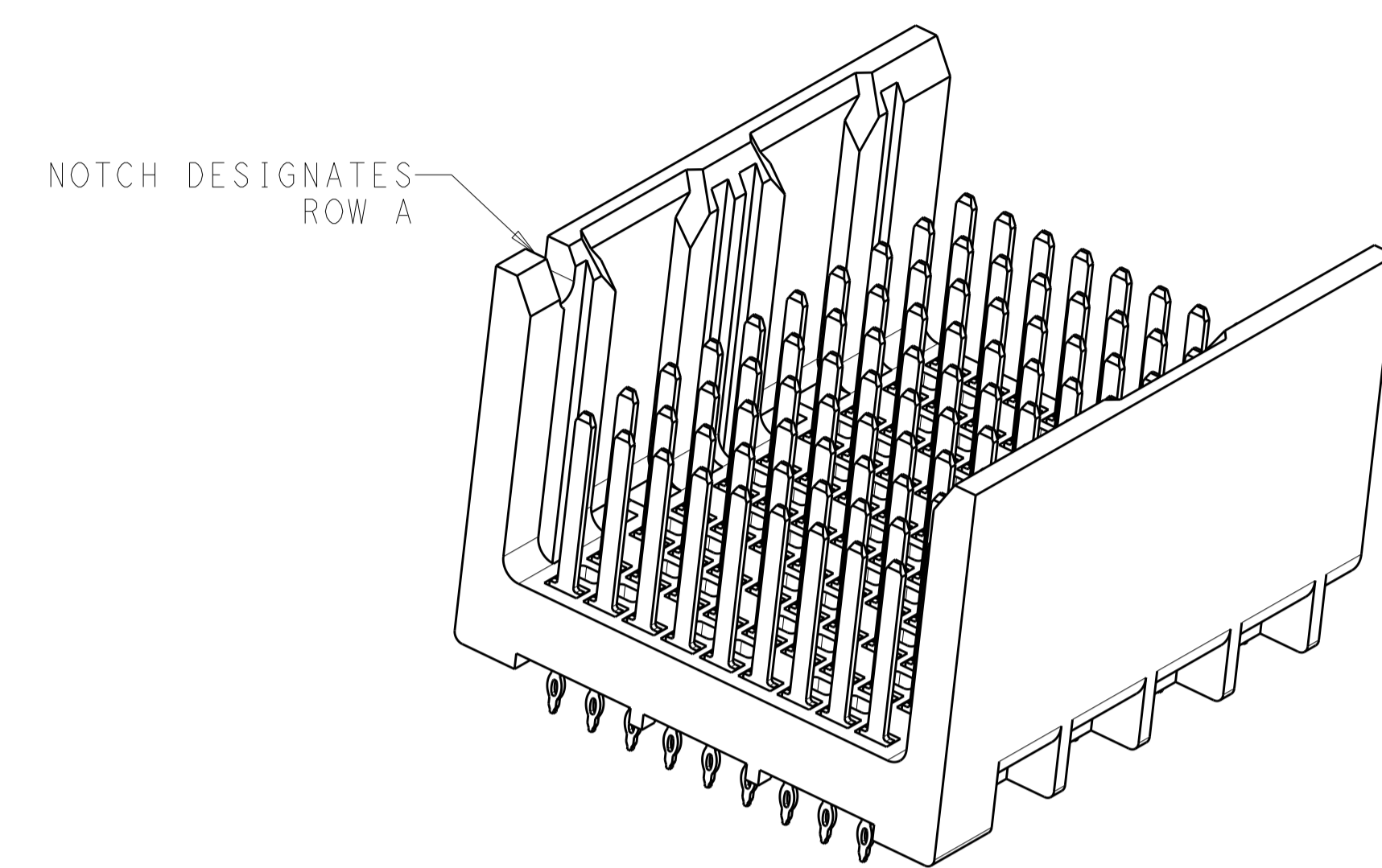
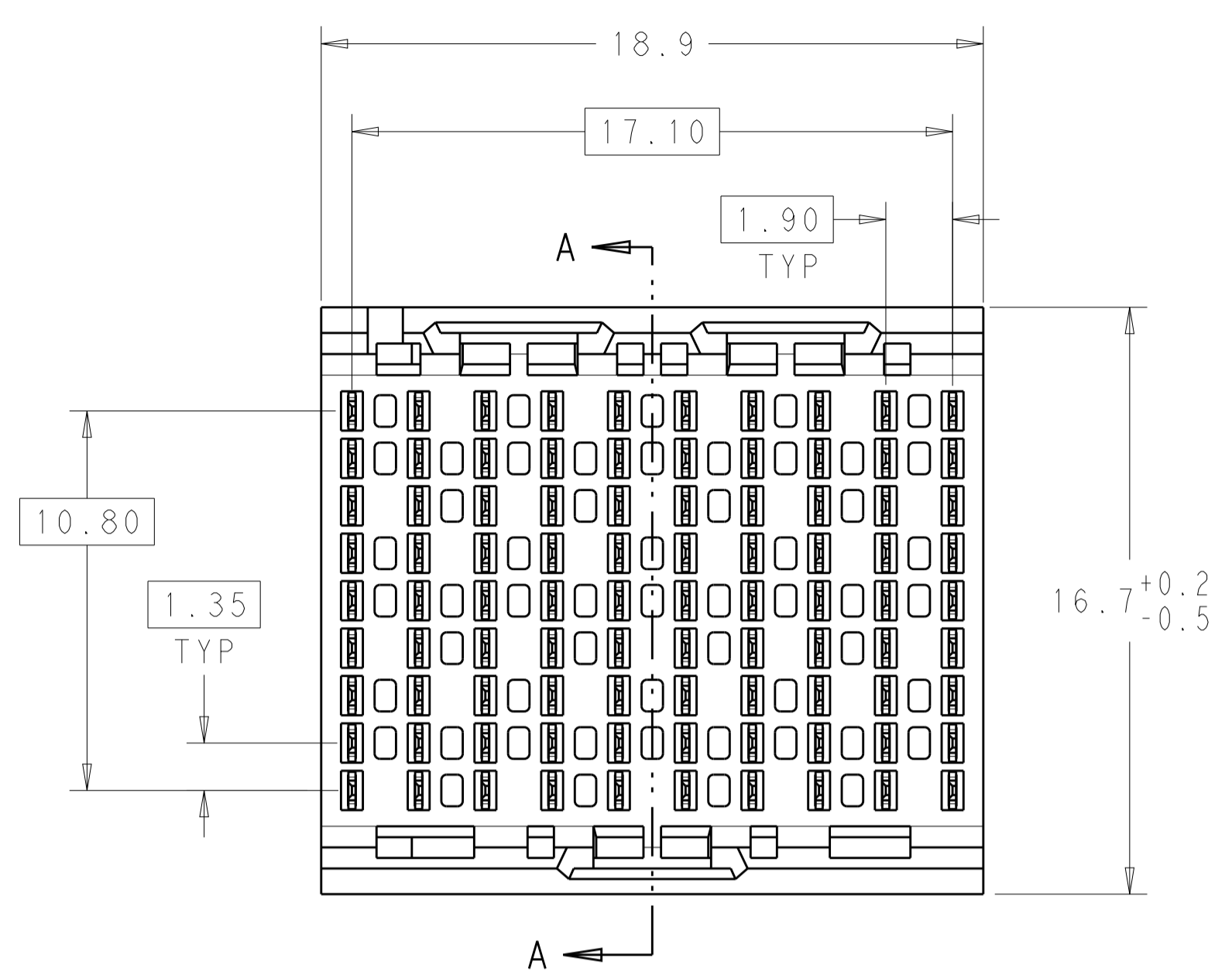
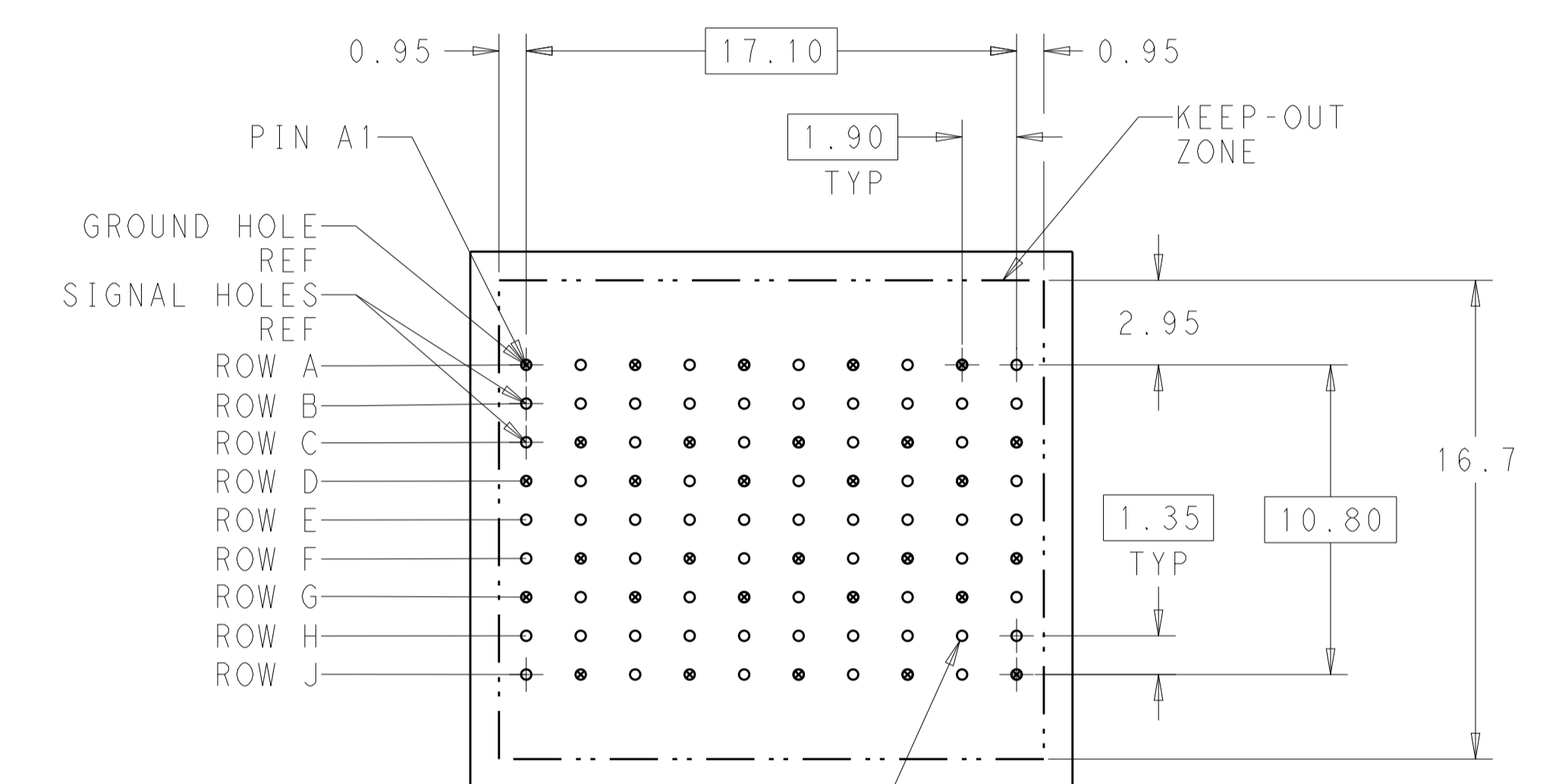


LOC		DIST		REVISIONS			
AD	00	P	LTN	DESCRIPTION	DATE	DWN	APVD
		E		REVISED PER ECO-12-020314	09JUL2013	KH	DD



⚠ MATERIAL:
HOUSING: LCP, GLASS FILLED, UL94V-0.
TERMINALS: HIGH PERFORMANCE COPPER ALLOY.

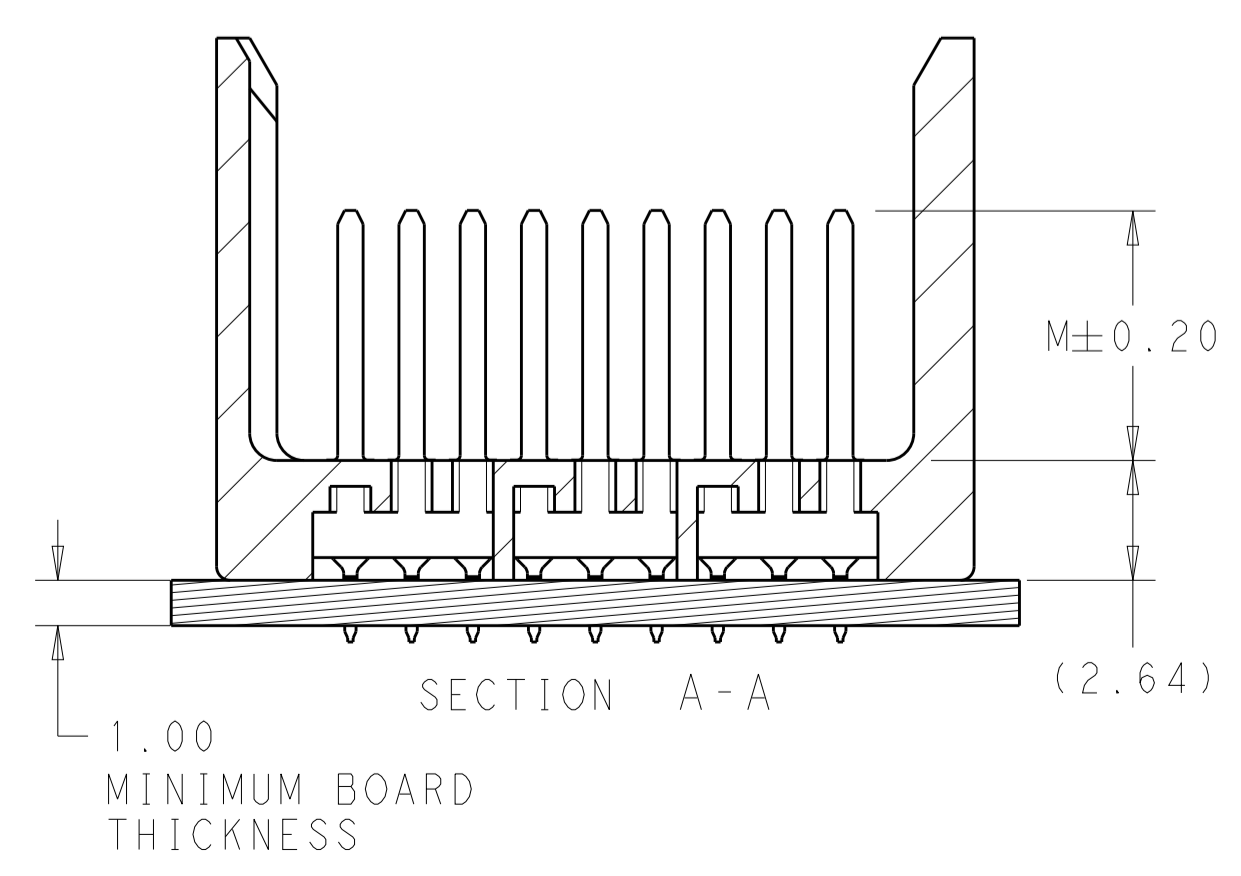
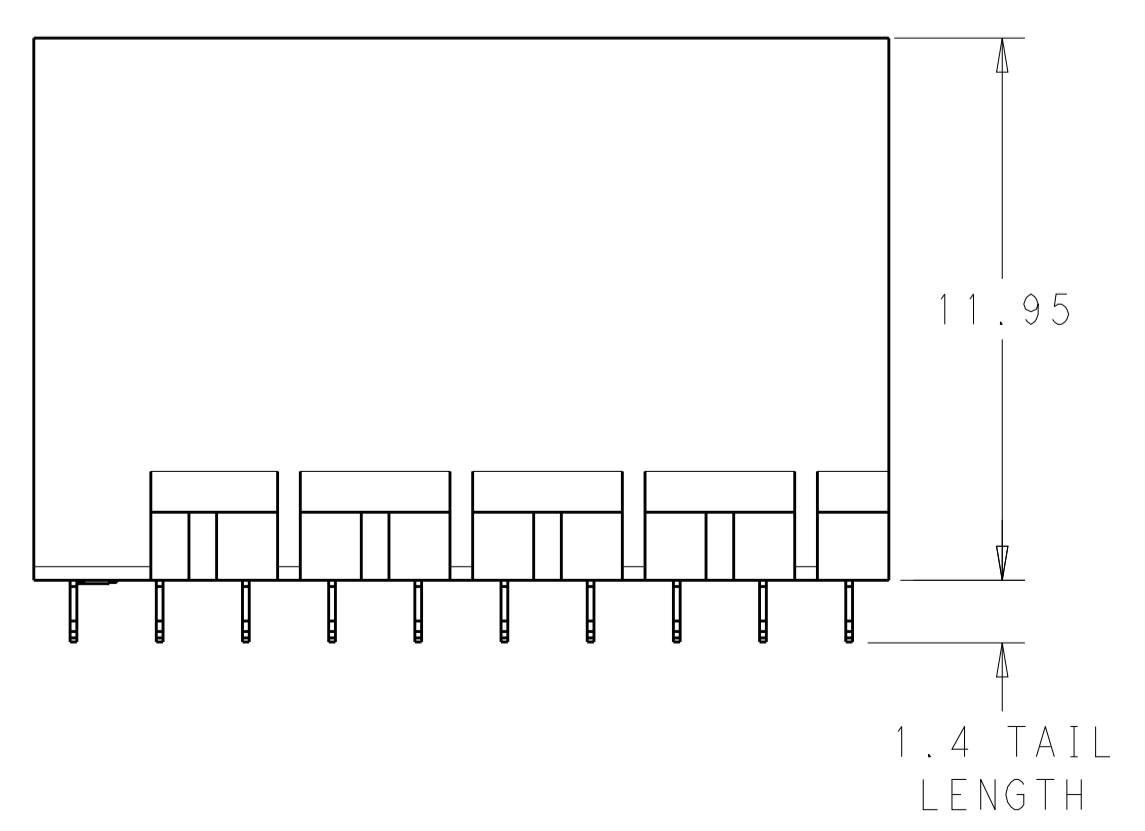
⚠ FINISH:
30μ" MIN GOLD IN CONTACT AREA. SELECTIVE TIN
ON PCB TAILS, NICKEL OVERALL.



90X $\varnothing 0.36^{+0.07}_{-0.03}$
PLATED THRU HOLE

90X 0.45 ± 0.013
DRILL HOLE
 $\varnothing 0.10$

UNGUIDED
BACKPLANE HOLE PATTERN
(CONNECTOR SIDE)



THIS DRAWING IS A CONTROLLED DOCUMENT.		DWN J. K. SHOBER	23DEC11	STE TE Connectivity
DIMENSIONS:		CHK J. EARY	23DEC11	
mm	TOLERANCES UNLESS OTHERWISE SPECIFIED:	APVD J. EARY	23DEC11	NAME IMPACT, 3 PAIR, 10 COLUMN, HEADER UNGUIDED, OPEN END WALL SIGNAL MODULE, 0.36 PTH
	0 PLC ± 1 PLC ±0.25 2 PLC ±0.13 3 PLC ± 4 PLC ±	PRODUCT SPEC	APPLICATION SPEC	
MATERIAL	FINISH SEE TABLE	WEIGHT	SIZE A100779	CAGE CODE 2007788
CUSTOMER DRAWING		SCALE	6:1	SHEET 1 OF 2

THIS DRAWING IS UNPUBLISHED.	RELEASED FOR PUBLICATION	20
© COPYRIGHT 20	ALL RIGHTS RESERVED.	

LOC	DIST	REVISIONS					
		P	LTN	DESCRIPTION	DATE	DMN	APVD
AD	00	-		SEE SHEET 1	-	-	-

	5.5	2007788-3
	4.9	2007788-2
	4.5	2007788-1
FINISH	DIM M	PART NUMBER

REFER TO WWW.TE.COM
FOR PRODUCT AVAILABILITY

THIS DRAWING IS A CONTROLLED DOCUMENT.		DMN J. K. SHOBER	23DECT1		TE Connectivity
DIMENSIONS:		CHK J. EARY	23DECT1		
mm	TOLERANCES UNLESS OTHERWISE SPECIFIED:	APVD J. EARY	23DECT1	NAME IMPACT, 3 PAIR, 10 COLUMN, HEADER UNGUIDED, OPEN END WALL SIGNAL MODULE, 0.36 PTH	
	0 PLC ±	PRODUCT SPEC		SIZE CAGE CODE DRAWING NO RESTRICTED TO	
	1 PLC ±0.25	APPLICATION SPEC		A100779C=2007788	
	2 PLC ±0.13	WEIGHT		SCALE 5:1 SHEET 2 OF 2 REV E	
	3 PLC ±	CUSTOMER DRAWING			
	4 PLC ±				
	ANGLES ±				
MATERIAL	FINISH SEE TABLE				