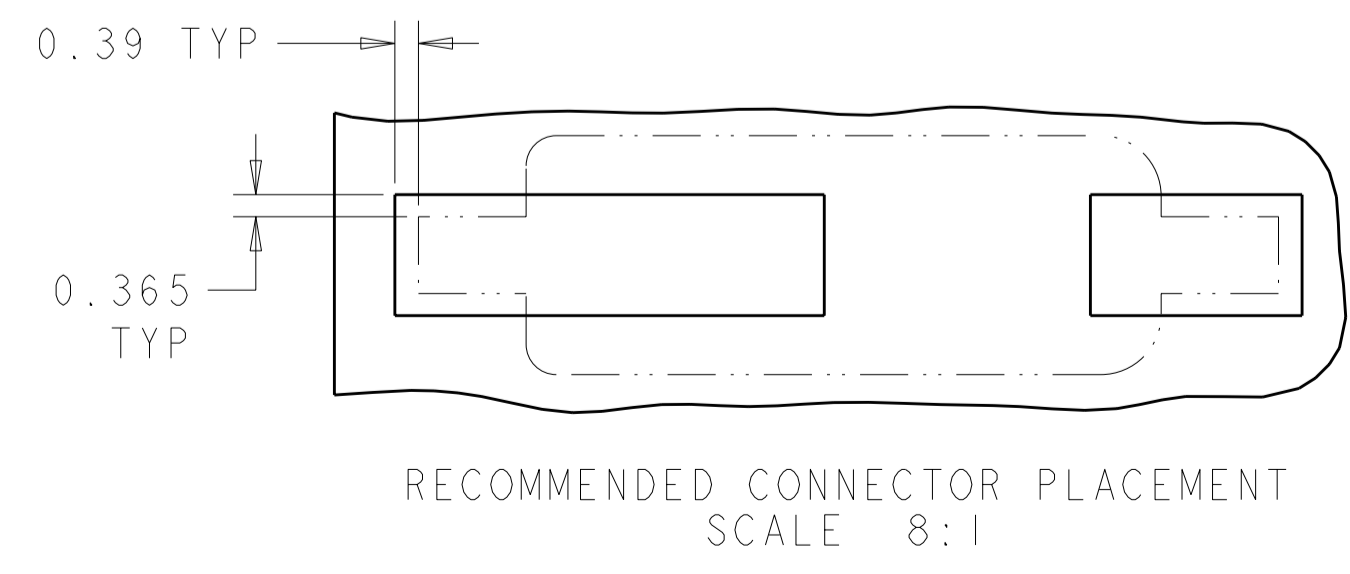
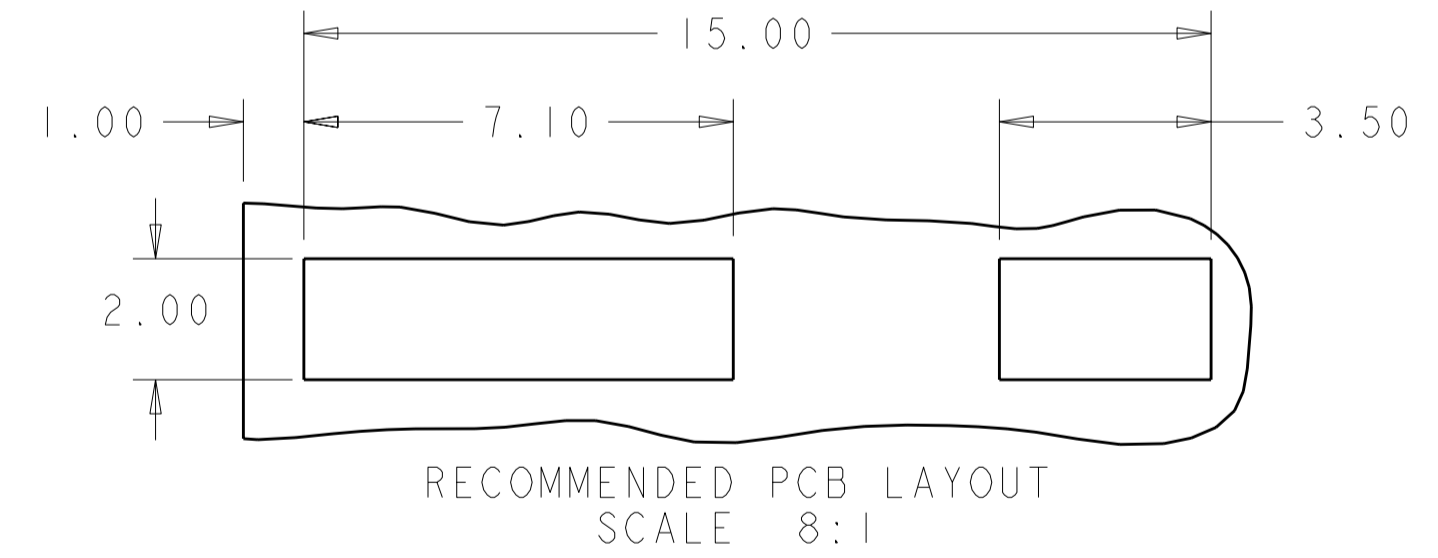
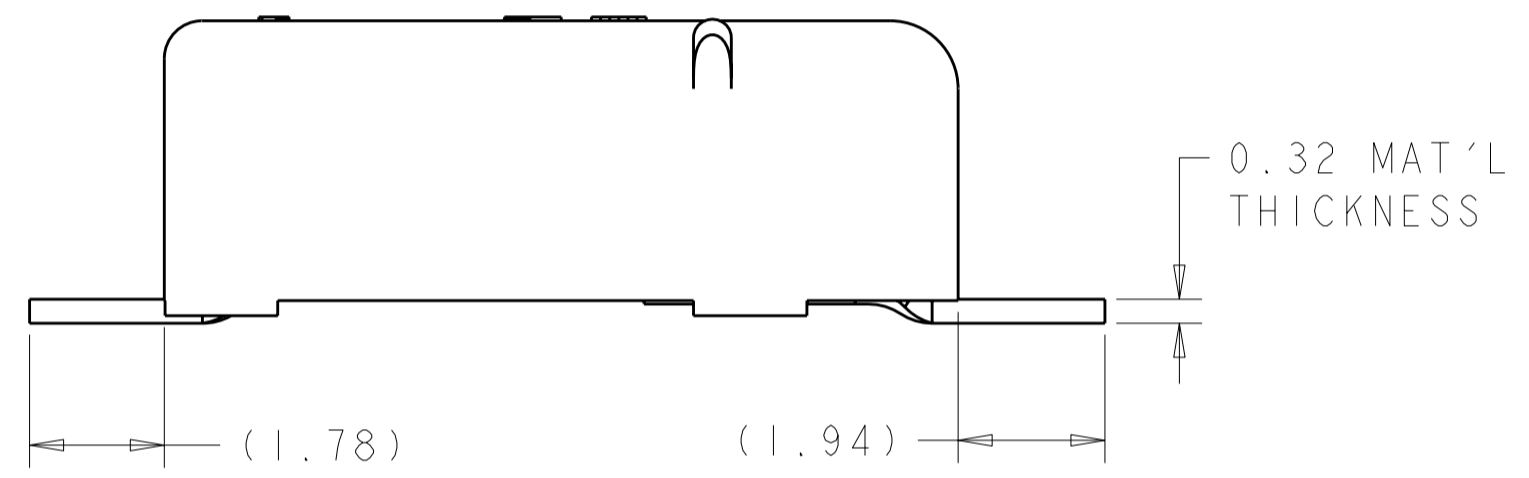
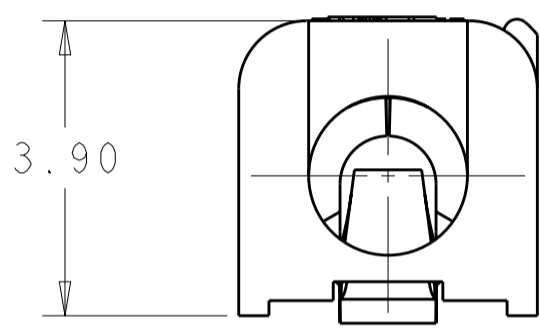
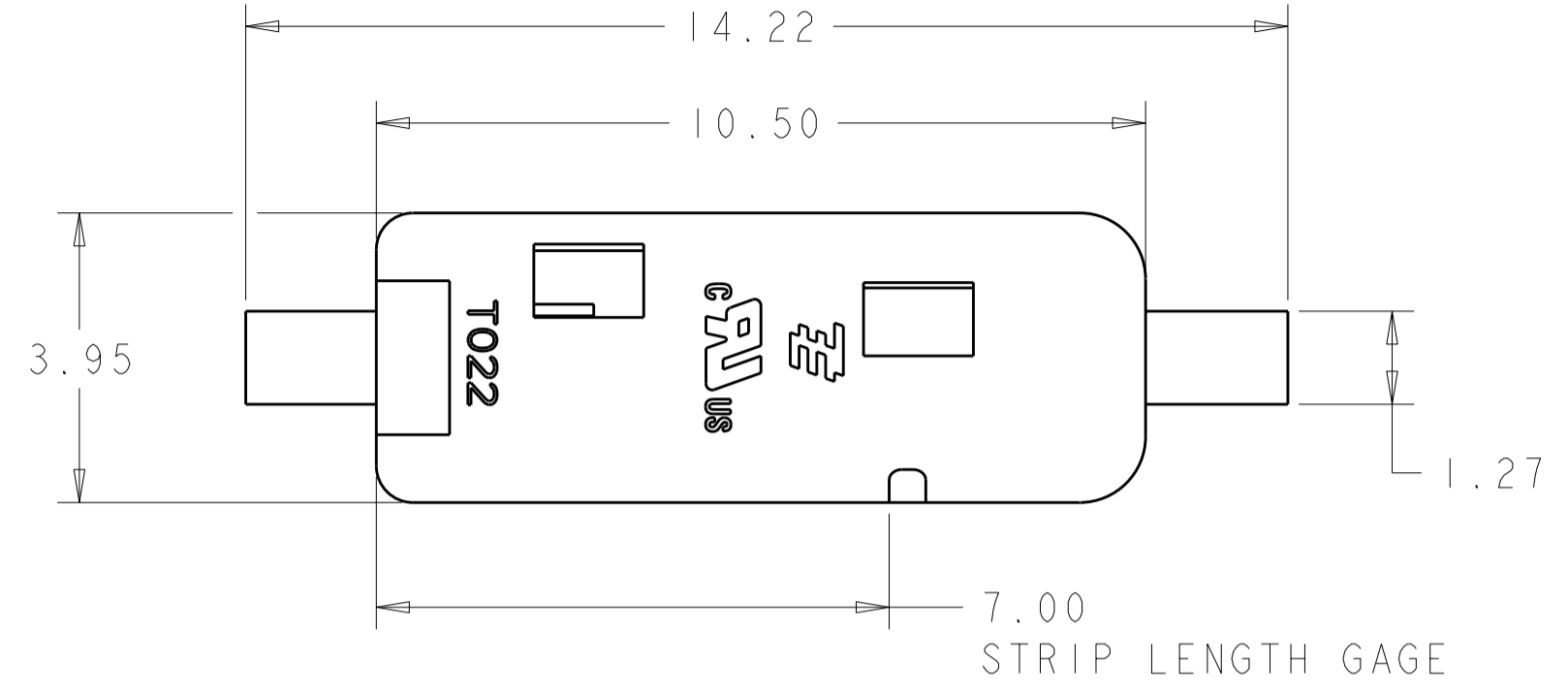


THIS DRAWING IS UNPUBLISHED. RELEASED FOR PUBLICATION 20
 © COPYRIGHT 20 BY TYCO ELECTRONICS CORPORATION. ALL RIGHTS RESERVED.

REVISIONS				
P	LTR	DESCRIPTION	DATE	APVD
A		REVISED PER ECR-09-006557	25MAR2009	HMR DD



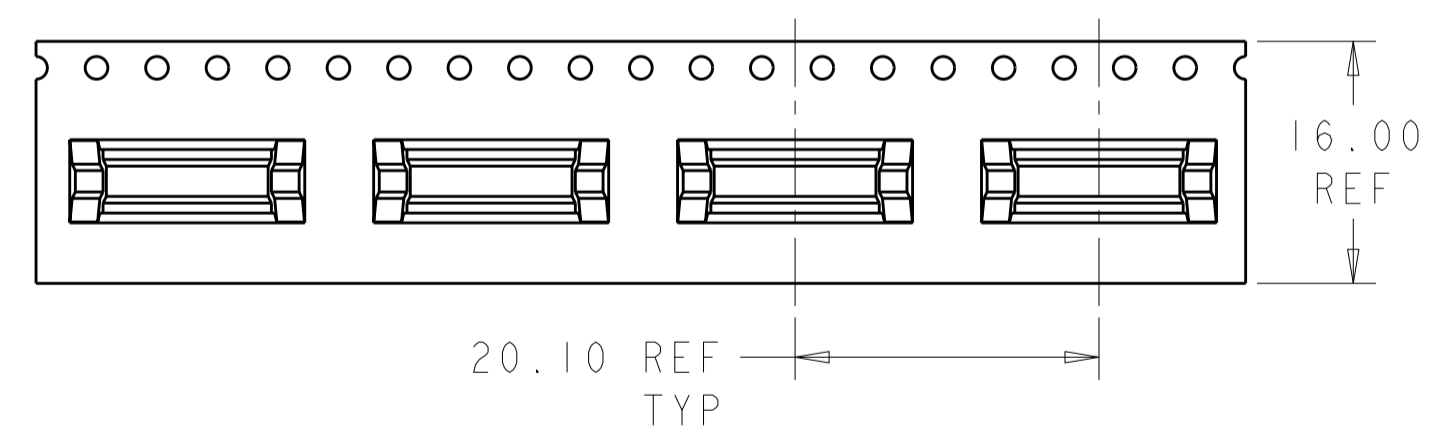
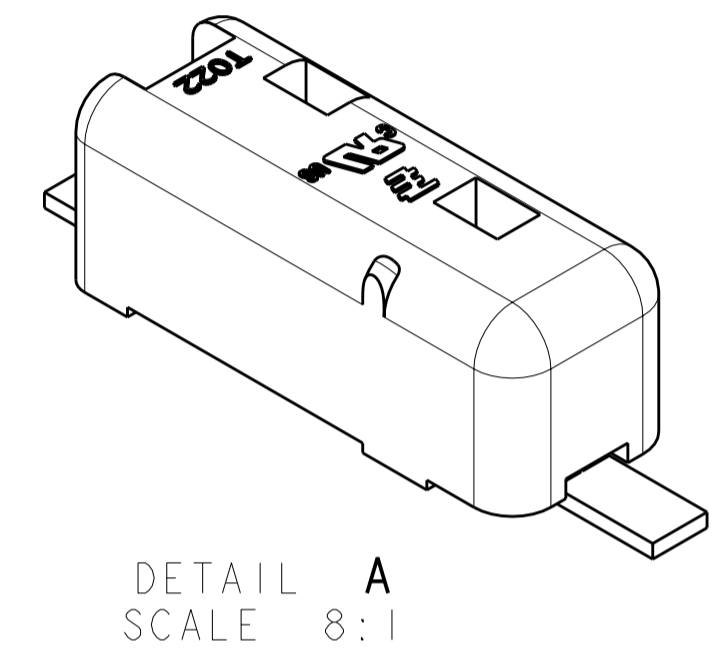
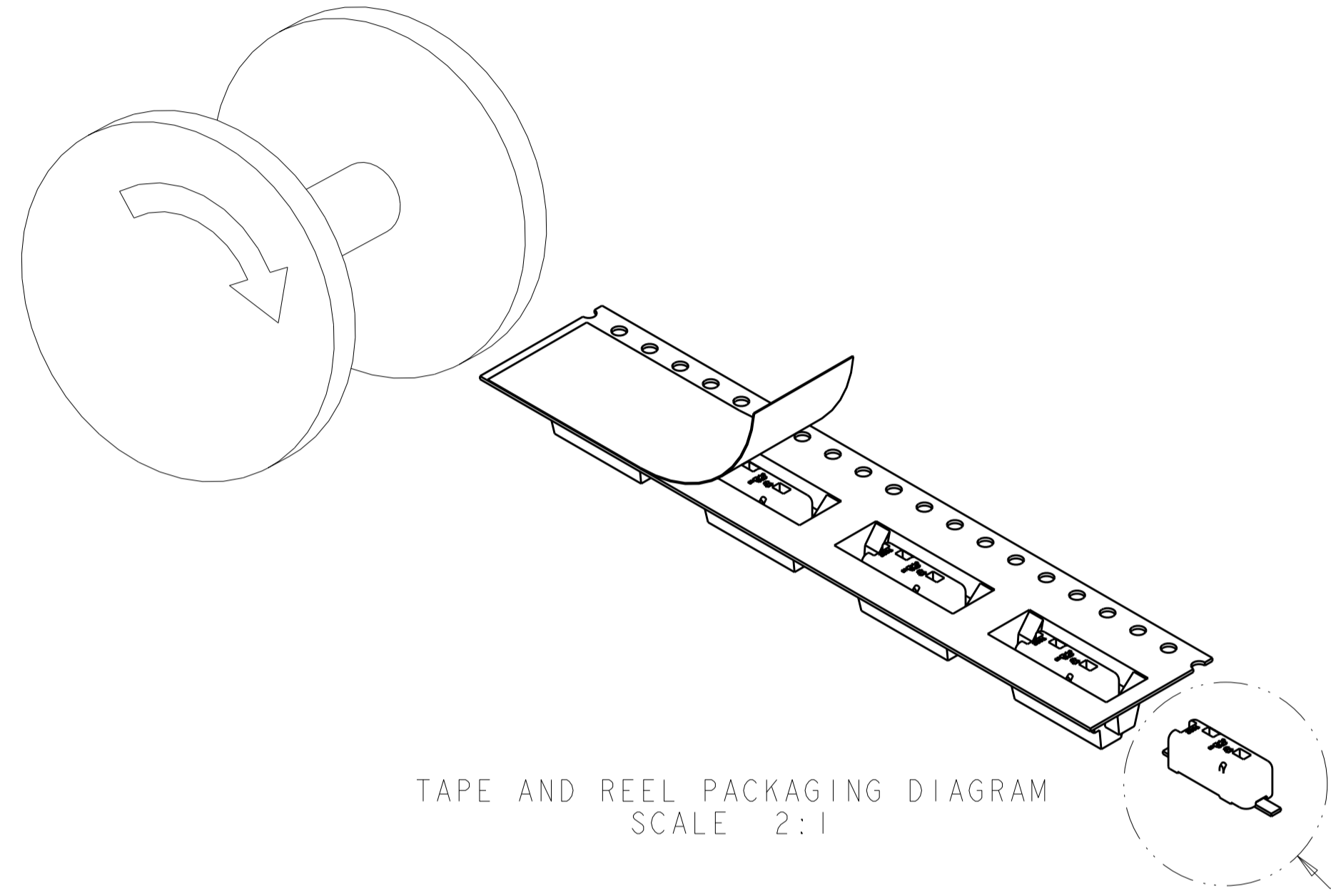
- 1. MATERIALS AND FINISH:
 - HOUSING: LCP, COLOR: WHITE
 - CONTACTS: COPPER ALLOY, FINISH: TIN
- 2. MUST COMPLY WITH DIRECTIVE 2002/95/EC (ROHS)
- 4. WIRE TYPES AND SIZES ACCEPTED
 - 18, 20 AND 22 AWG SOLID WIRE
 - 18 AND 20 AWG PREBOND STRANDED WIRE
 - 18 AWG STRANDED WIRE (16 STRAND COUNT)
 - MAX INSULATION OD: 2.10 MM (.083")
 - STRIP LENGTH: 7.0±1.0 (.276")
- 5. PACKAGED IN TAPE AND REEL
- 6. SEALED CONNECTOR, SILICONE GEL FILLED.
- 7. MATERIALS AND FINISH:
 - HOUSING: LCP, COLOR: BLACK
 - CONTACTS: COPPER ALLOY, FINISH: TIN

7	BLACK	2008994-2
1	WHITE	2008994-1
MATERIAL	COLOR	PART NUMBER

THIS DRAWING IS A CONTROLLED DOCUMENT FOR TYCO ELECTRONICS CORPORATION. IT IS SUBJECT TO CHANGE AND THE CONTROLLING ENGINEERING ORGANIZATION SHOULD BE CONTACTED FOR THE LATEST REVISION.		DWN R. BROWN 11FEB2008	Tyco Electronics Harrisburg, PA 17105-3608	
DIMENSIONS: mm		CHK J. DYER 11FEB2008	NAME POKE-IN LED CONNECTOR ASSEMBLY 1 POSITION SMT, SEALED	
TOLERANCES UNLESS OTHERWISE SPECIFIED: 0 PLC ± 1 PLC ±0.5 2 PLC ±0.10 3 PLC ± 4 PLC ± ANGLES ±3° FINISH		APVD J. DYER 11FEB2008	SIZE A200779	DRAWING NO C-2008994
SEE TABLE		PRODUCT SPEC -	RESTRICTED TO -	
SEE TABLE		APPLICATION SPEC -	SCALE 1:1	SHEET 1 OF 2 REV A
MATERIAL		WEIGHT -	CUSTOMER DRAWING	

THIS DRAWING IS UNPUBLISHED. RELEASED FOR PUBLICATION 20
 © COPYRIGHT 20 BY TYCO ELECTRONICS CORPORATION. ALL RIGHTS RESERVED.

LOC	DIST	REVISIONS			
P	LTR	DESCRIPTION	DATE	DWN	APVD
-	-	SEE SHEET 1	-	-	-



<small>THIS DRAWING IS A CONTROLLED DOCUMENT FOR TYCO ELECTRONICS CORPORATION. IT IS SUBJECT TO CHANGE AND THE CONTROLLING ENGINEERING ORGANIZATION SHOULD BE CONTACTED FOR THE LATEST REVISION.</small>		DWN R BROWN 11FEB2008 CHK J DYER 11FEB2008 APVD J DYER 11FEB2008	Tyco Electronics Harrisburg, PA 17105-3608
DIMENSIONS: mm 	TOLERANCES UNLESS OTHERWISE SPECIFIED: 0 PLC ± 1 PLC ±0.5 2 PLC ±0.10 3 PLC ± 4 PLC ± ANGLES ±3° FINISH	PRODUCT SPEC APPLICATION SPEC WEIGHT	NAME POKE-IN LED CONNECTOR ASSEMBLY 1 POSITION SMT, SEALED SIZE CAGE CODE DRAWING NO RESTRICTED TO A200779 C-2008994 -
SEE TABLE	SEE TABLE	CUSTOMER DRAWING	SCALE 2:1 SHEET 2 OF 2 REV A