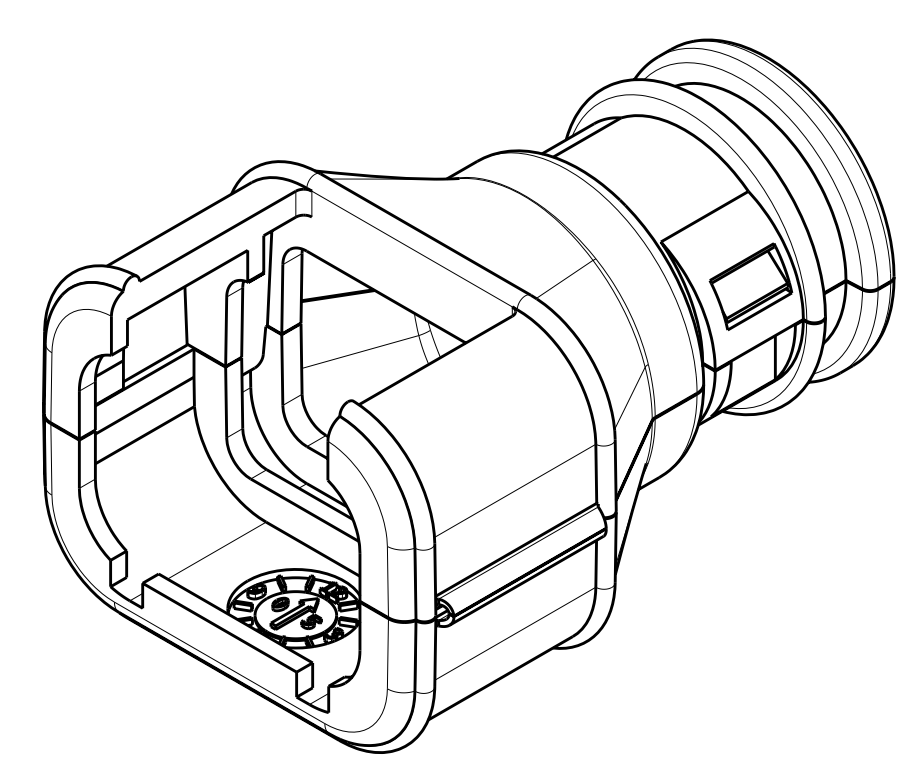
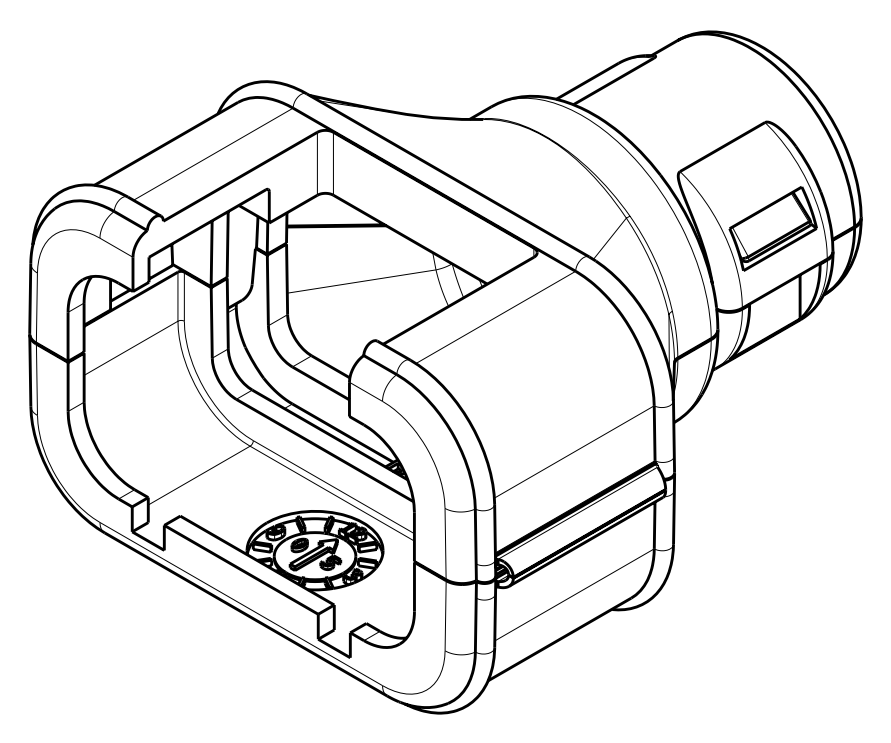


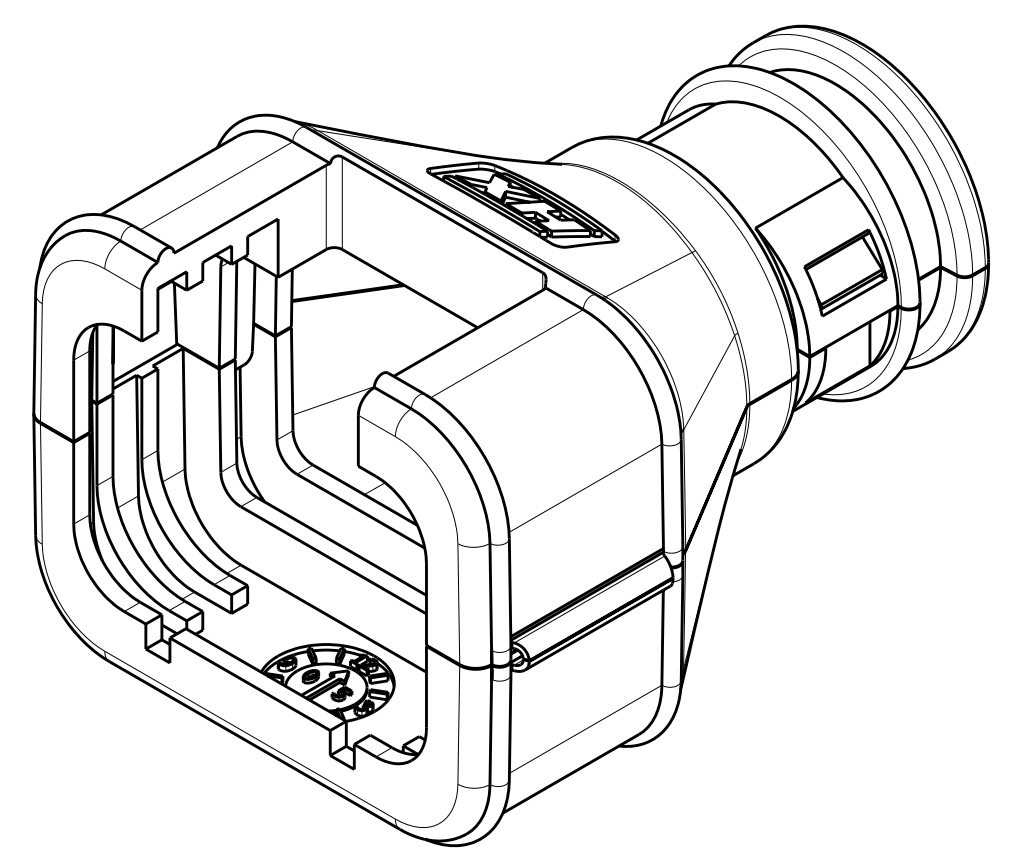
LOC	DIST	REV	DATE	BY	APPV
FX	00	C	30SEP2011	DD	RB
REVISIONS			DESCRIPTION	DATE	DWN
			REVISED PER ECO-11-017736	30SEP2011	DD



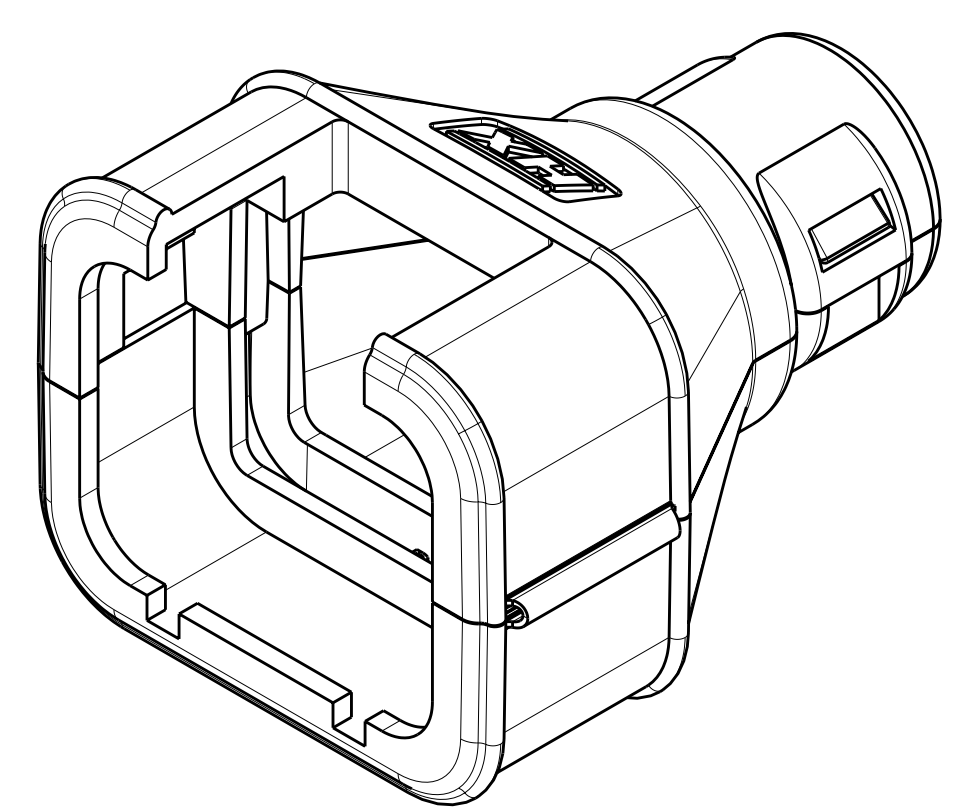
2035047-1



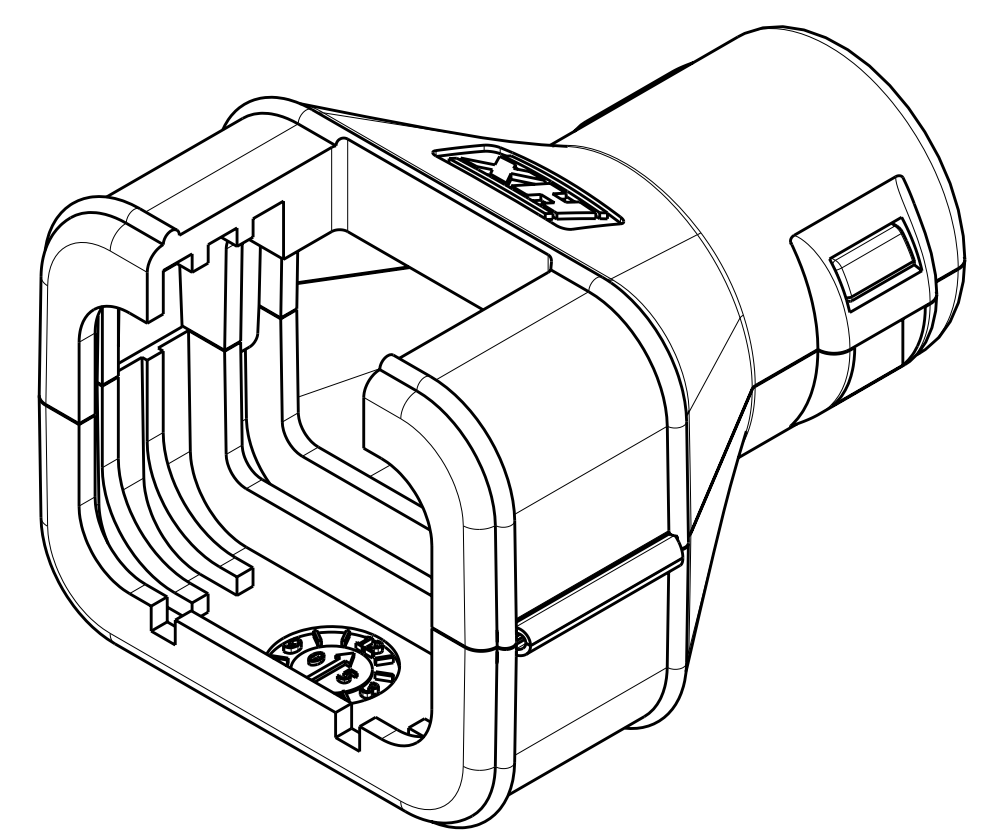
2035047-2



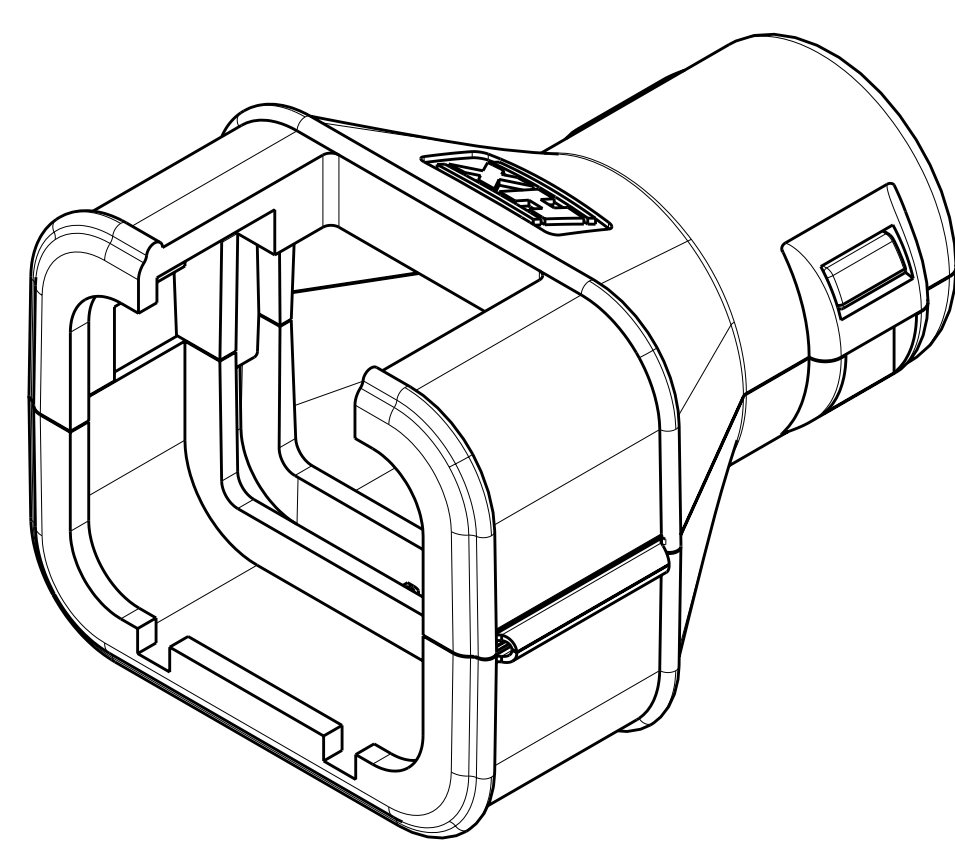
2035047-3



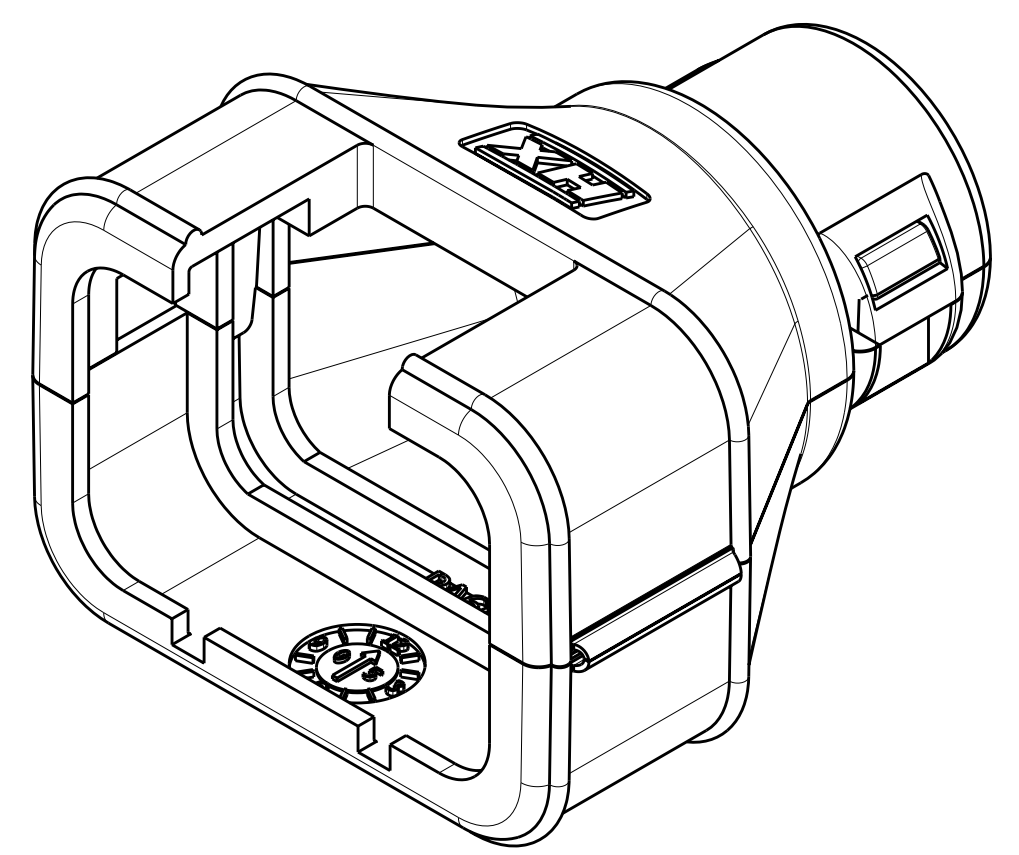
2035047-4



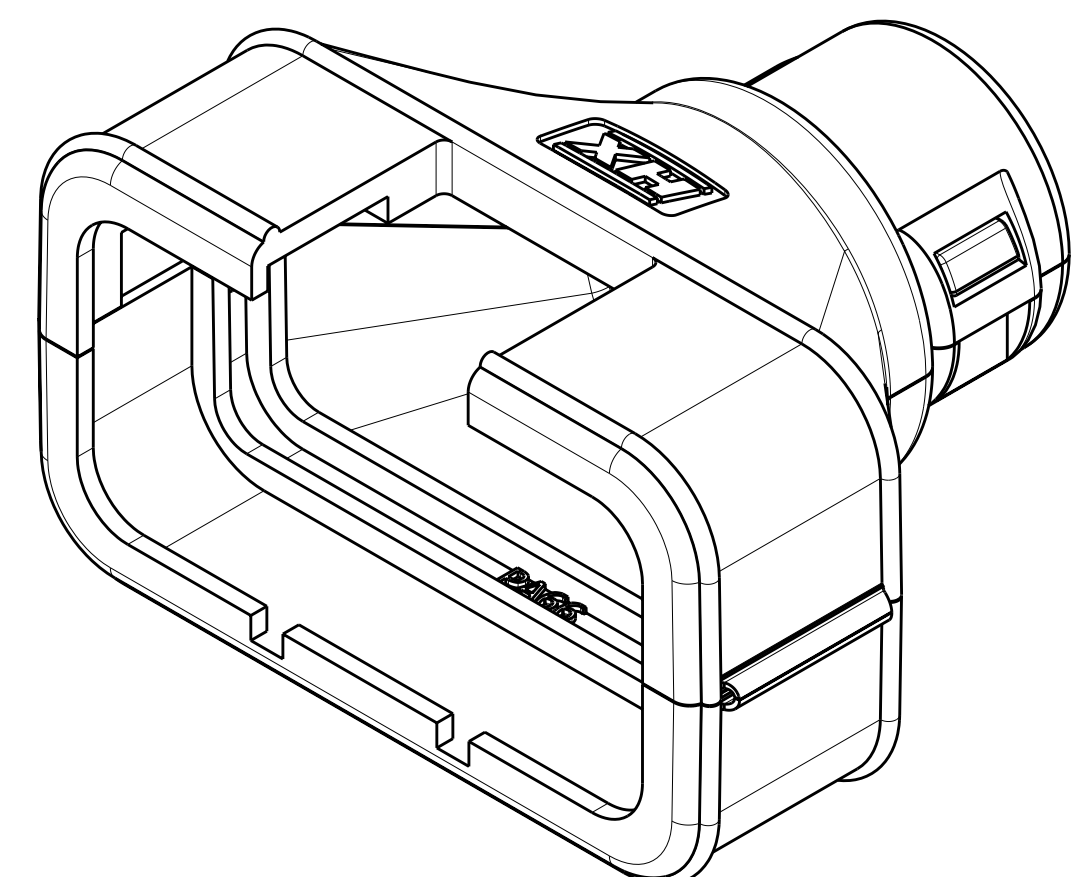
2035047-5



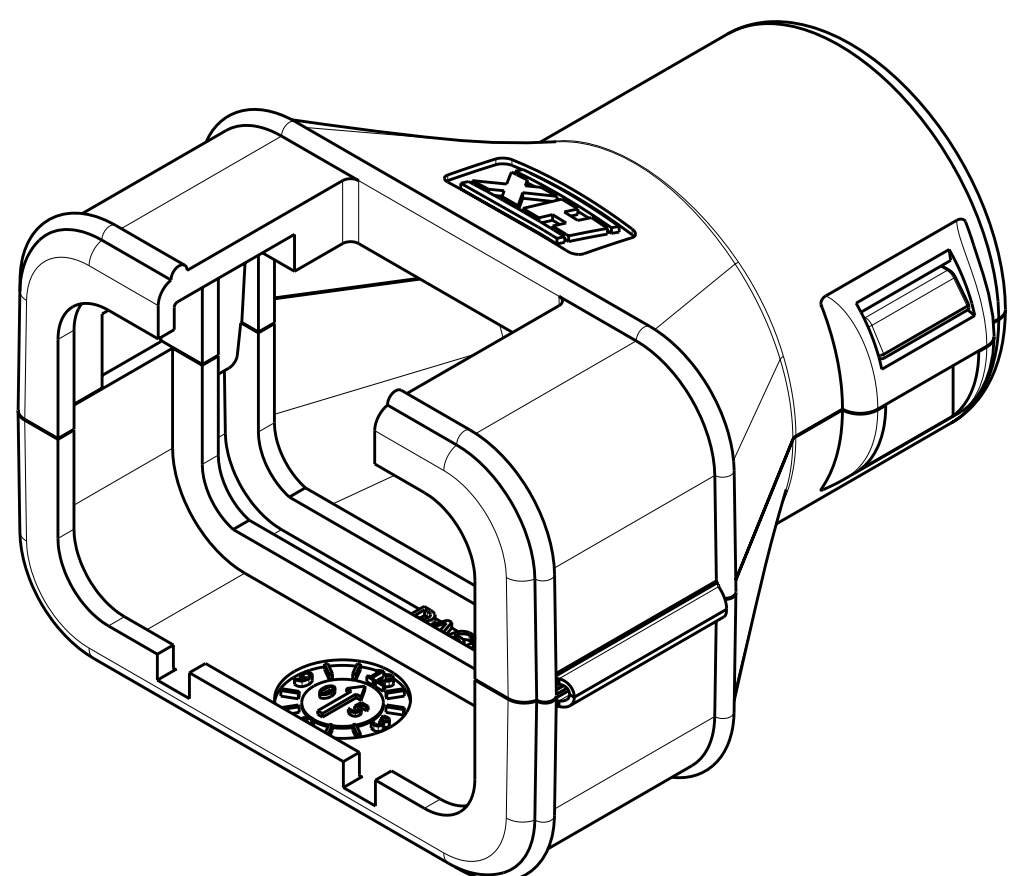
2035047-6



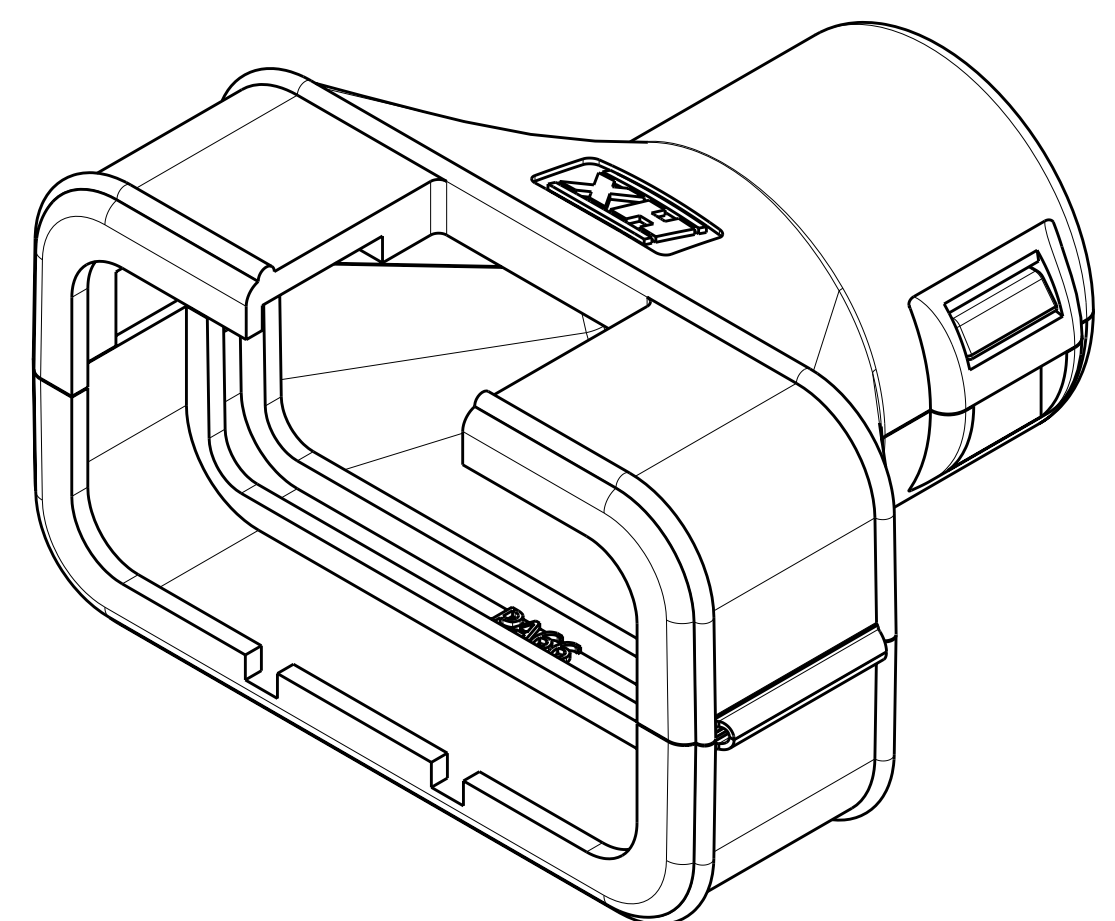
2035047-7



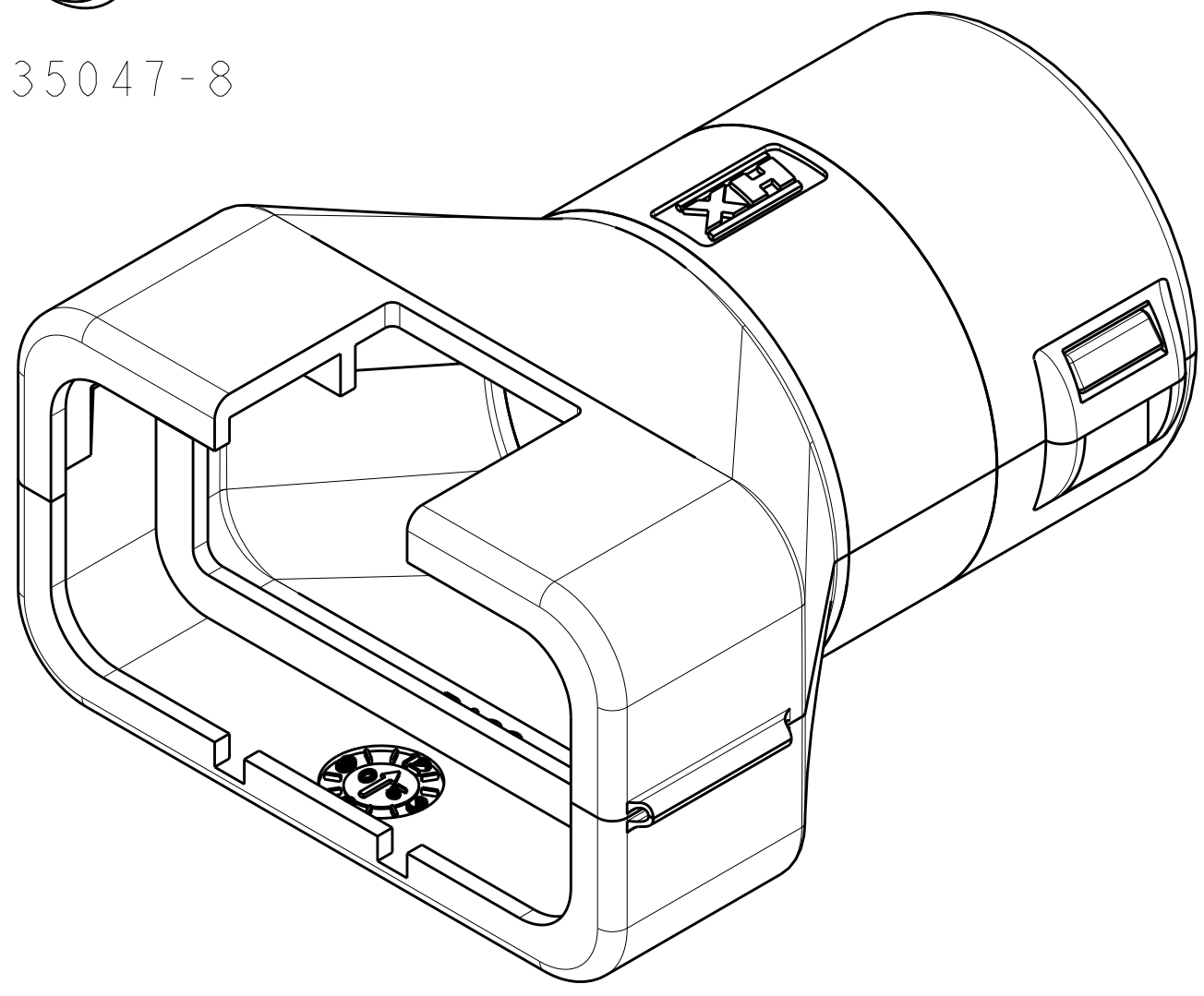
2035047-8



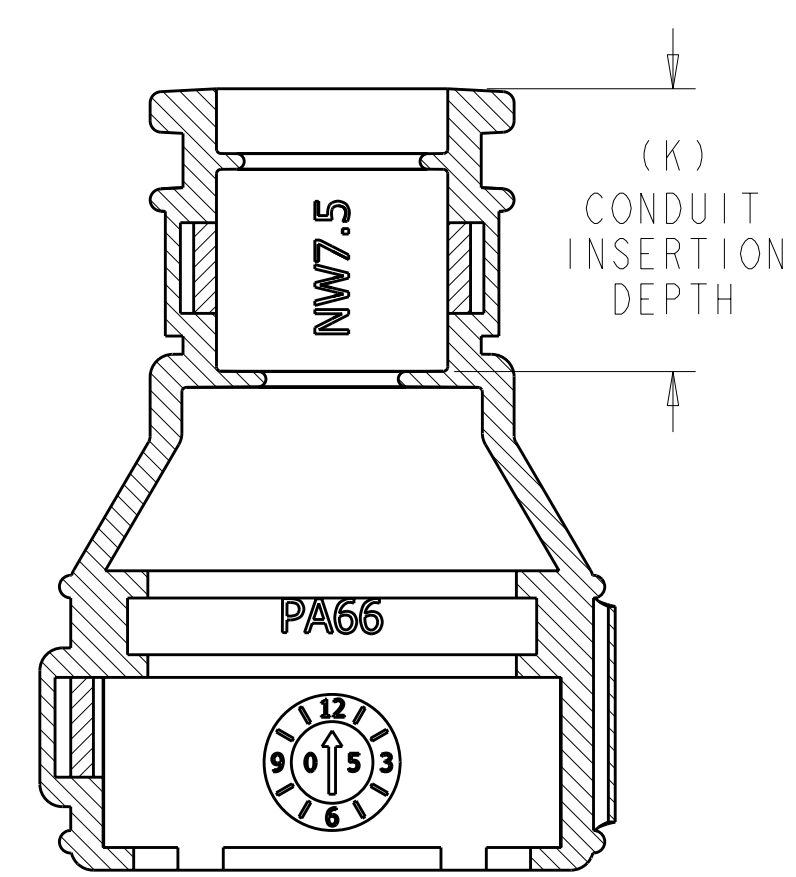
2035047-9



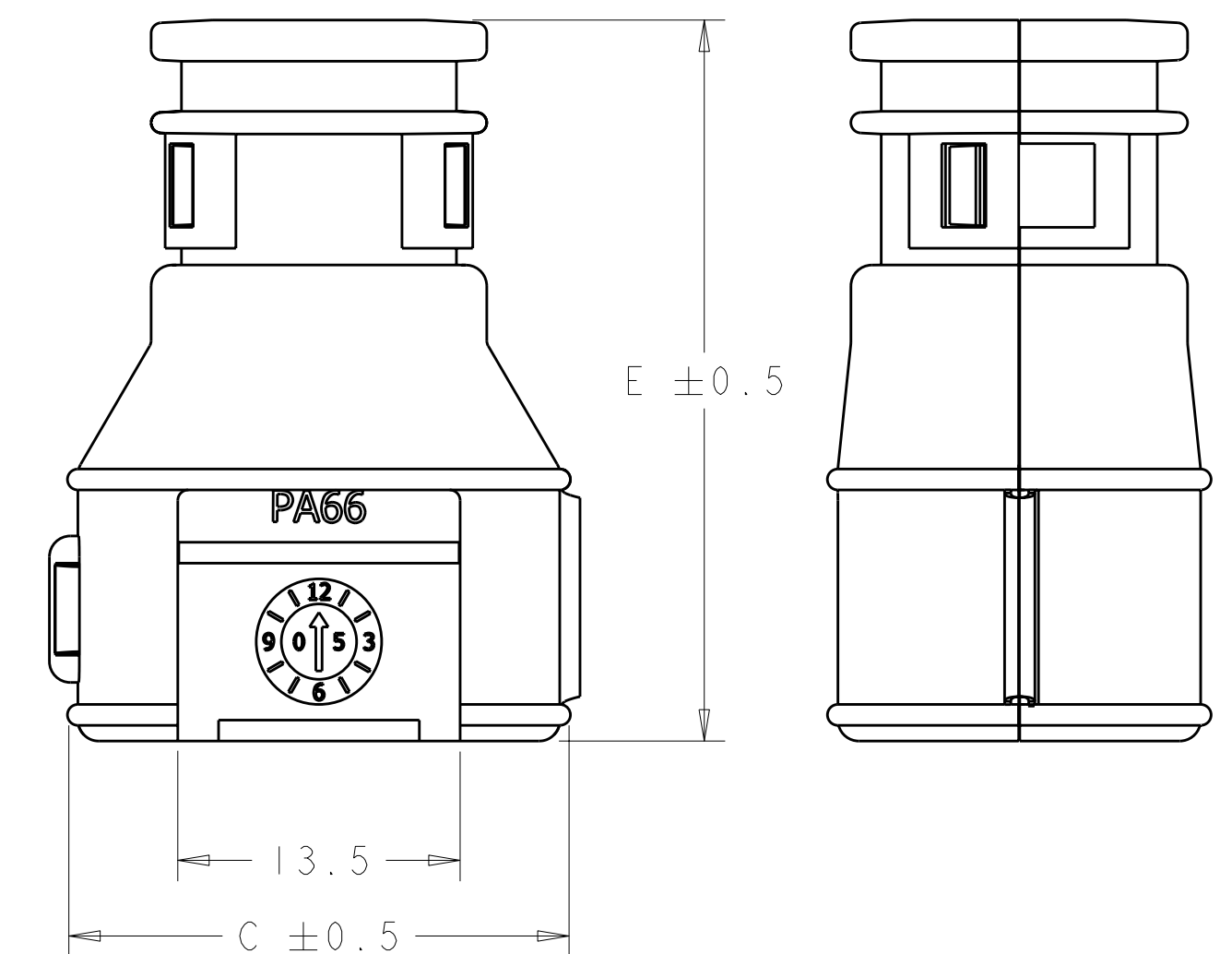
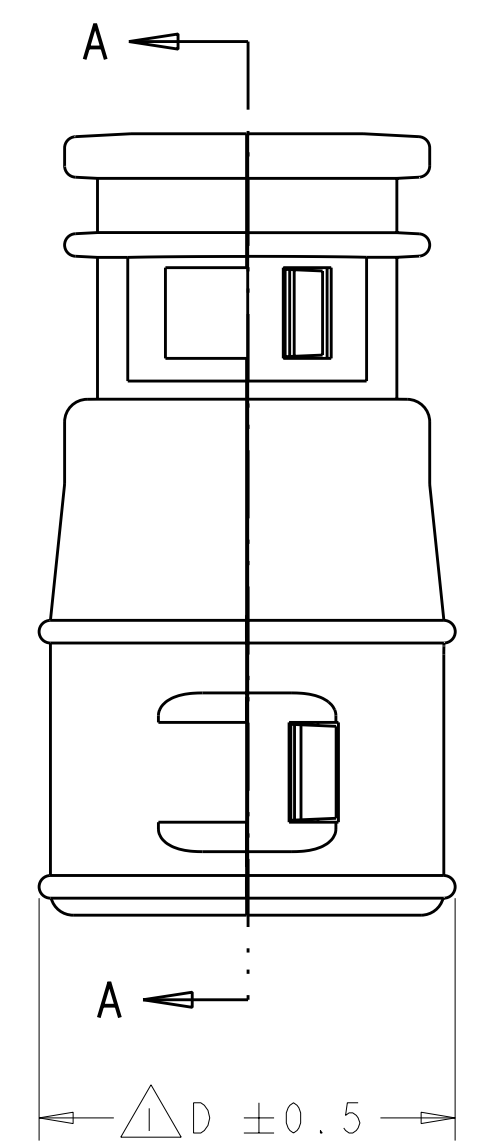
1-2035047-0



1-2035047-1



SECTION A-A



△ DIMENSION TO BE MEASURED WHEN THE COVER IS CLOSED.

TE PART NUMBER	ASSY POSN	NOMINAL CONDUIT SIZE		NOMINAL DIMENSIONS			
		NC	NW	C	D	E	(K)
2035047-1	2	08	7.5	23.9	18.3	34.2	12.3
2035047-2	3	08	7.5	28.5	18.3	34.2	12.3
2035047-3	4	08	7.5	29.1	23.6	38.3	12.3
2035047-4	6	08	7.5	28.7	23.7	36.8	11.1
2035047-5	4	12	10	29.1	23.6	36.8	10.5
2035047-6	6	12	10	28.7	23.6	36.8	10.5
2035047-7	8	12	10	33.1	23.6	36.8	10.5
2035047-8	12	12	10	42.1	23.6	36.8	10.5
2035047-9	8	16	13	33.1	23.6	36.8	10.5
1-2035047-0	12	16	13	42.1	23.7	36.8	10.5
1-2035047-1	12	20	17	40.7	22.7	47.9	12.1

THIS DRAWING IS A CONTROLLED DOCUMENT.

DIMENSIONS: mm
 TOLERANCES UNLESS OTHERWISE SPECIFIED:
 0 PLC ±
 1 PLC ±0.5
 2 PLC ±
 3 PLC ±
 4 PLC ±
 ANGLES ±
 FINISH: -

DWN: J. MARKEY 11APR2008
 CHK: J. MARKEY 11APR2008
 APVD: J. MARKEY 11APR2008

STE TE Connectivity
 BACKSHELL, AMPSEAL 16, 0 DEGREE EXIT
 SIZE: CAGE CODE: DRAWING NO: A100779C-2035047
 SCALE: 3:1 SHEET 1 OF 1 REV C