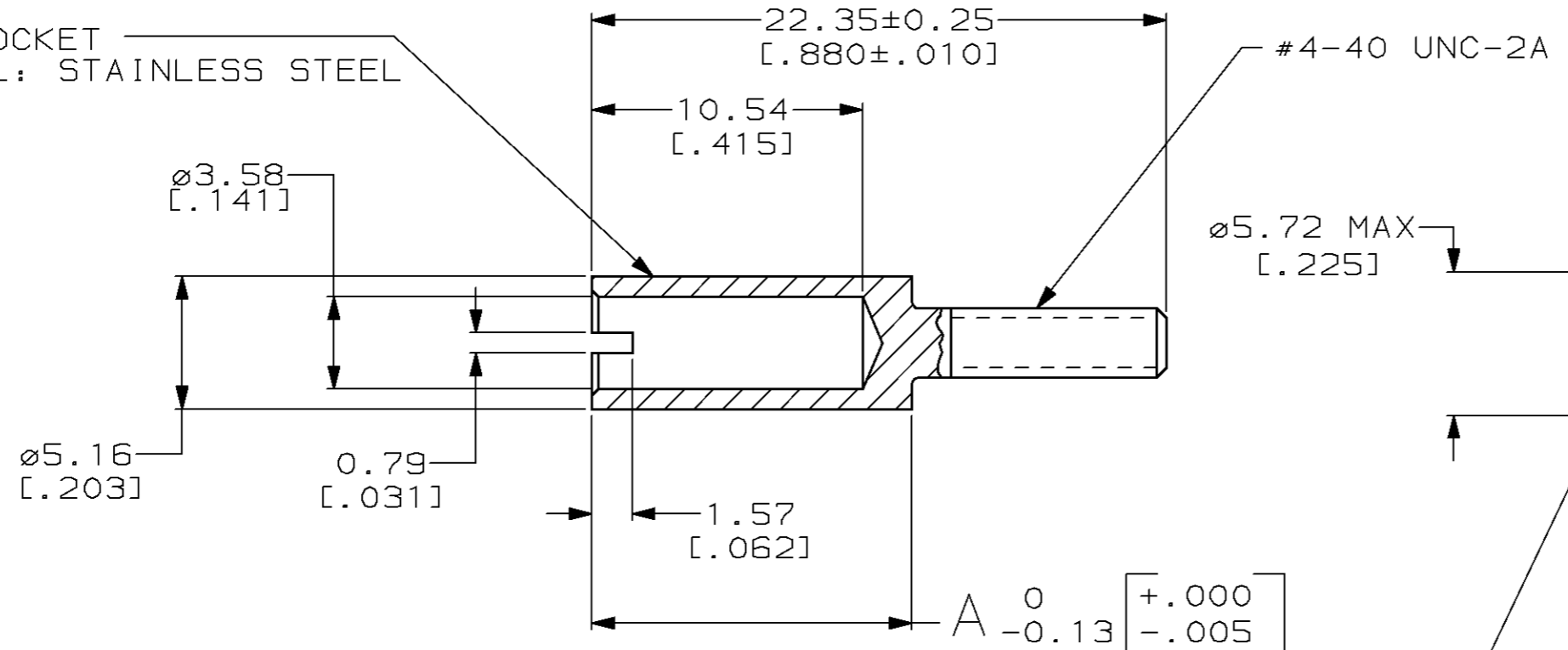


THIS DRAWING IS UNPUBLISHED. RELEASED FOR PUBLICATION, 19 .  
 © COPYRIGHT 19 BY AMP INCORPORATED. ALL RIGHTS RESERVED.

LOC	DIST	REVISIONS			
P	LTR	DESCRIPTION	DATE	DWN	APVD
BD	36	M	REDRAWN ON CAD W/O CHANGE PER EC 0020-1343-95	15 FEB 96	BC GS

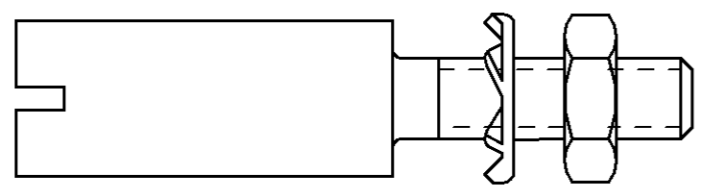
GUIDE SOCKET  
 MATERIAL: STAINLESS STEEL



LOCKWASHER  
 MATERIAL: STAINLESS STEEL  
 FINISH: PASSIVATED

NUT #4-40 UNC-2B  
 x 4.75 [0.187] ACROSS FLATS  
 MATERIAL: CARBON STEEL  
 FINISH: ZINC PLATED

11.94 [0.470]	203964-5
12.45 [0.490]	203964-1
A	PART NUMBER



ASSEMBLED VIEW

THIS DRAWING IS A CONTROLLED DOCUMENT FOR AMP INCORPORATED. IT IS SUBJECT TO CHANGE AND THE CONTROLLING ENGINEERING ORGANIZATION SHOULD BE CONTACTED FOR THE LATEST REVISION.		DWN B. CARBO 15 FEB 96	AMP Incorporated Harrisburg, PA 17105-3608
DIMENSIONS: mm [INCHES]		CHK R. STONE 20 FEB 96	
TOLERANCES UNLESS OTHERWISE SPECIFIED:		APVD G. STEINHAEUER 17 APR 96	NAME GUIDE SOCKET KIT, CORNER, UNASSEMBLED, MINIATURE RECTANGULAR M SERIES
0 PLC ±-		PRODUCT SPEC	
1 PLC ±-		APPLICATION SPEC	SIZE A3
2 PLC ±0.38 [0.015]		WEIGHT	CAGE CODE 00779
3 PLC ±-		MATERIAL SEE CALLOUTS	DRAWING NO C-203964
4 PLC ±-			SCALE 4:1
ANGLES ±-		FINISH SEE CALLOUTS	SHEET 1 OF 1
MATERIAL SEE CALLOUTS		FINISH SEE CALLOUTS	REV M
CUSTOMER DRAWING			