

Distributed by:

JAMECO[®]
ELECTRONICS

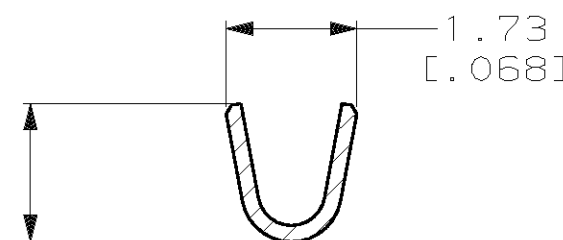
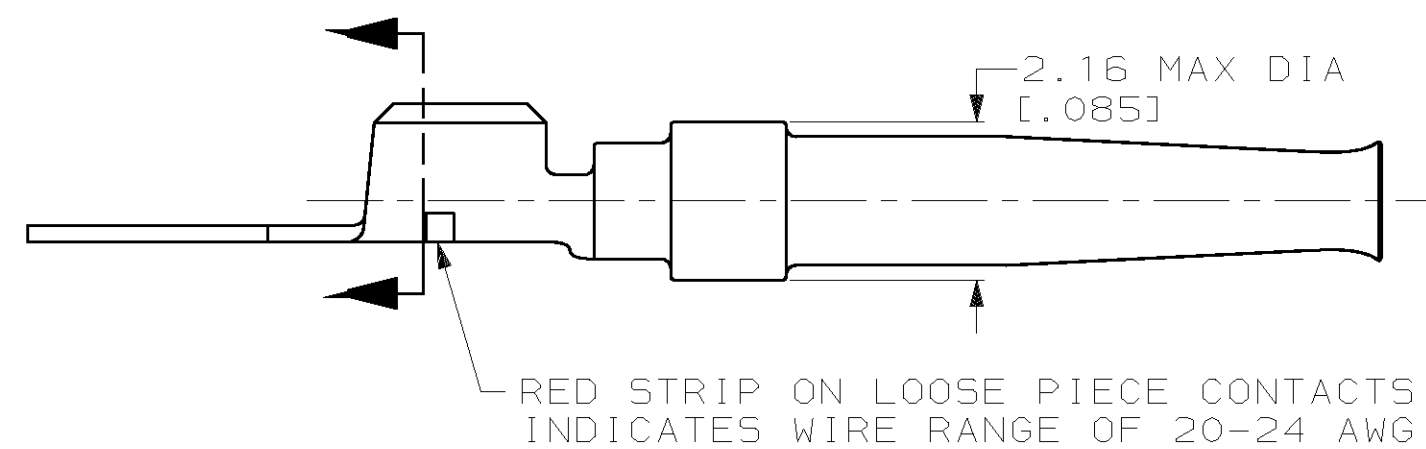
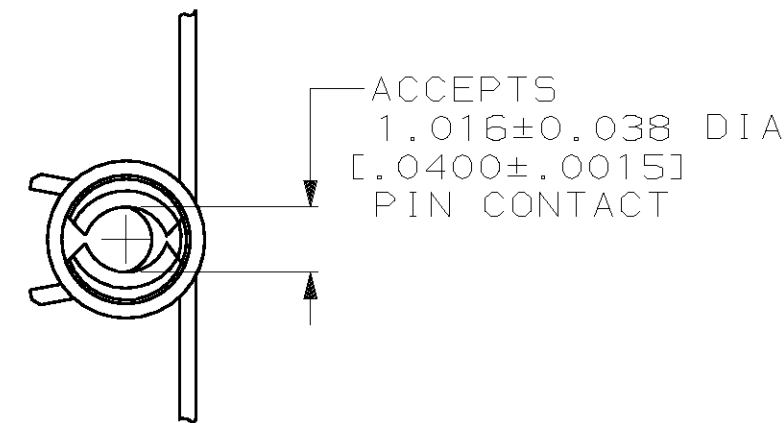
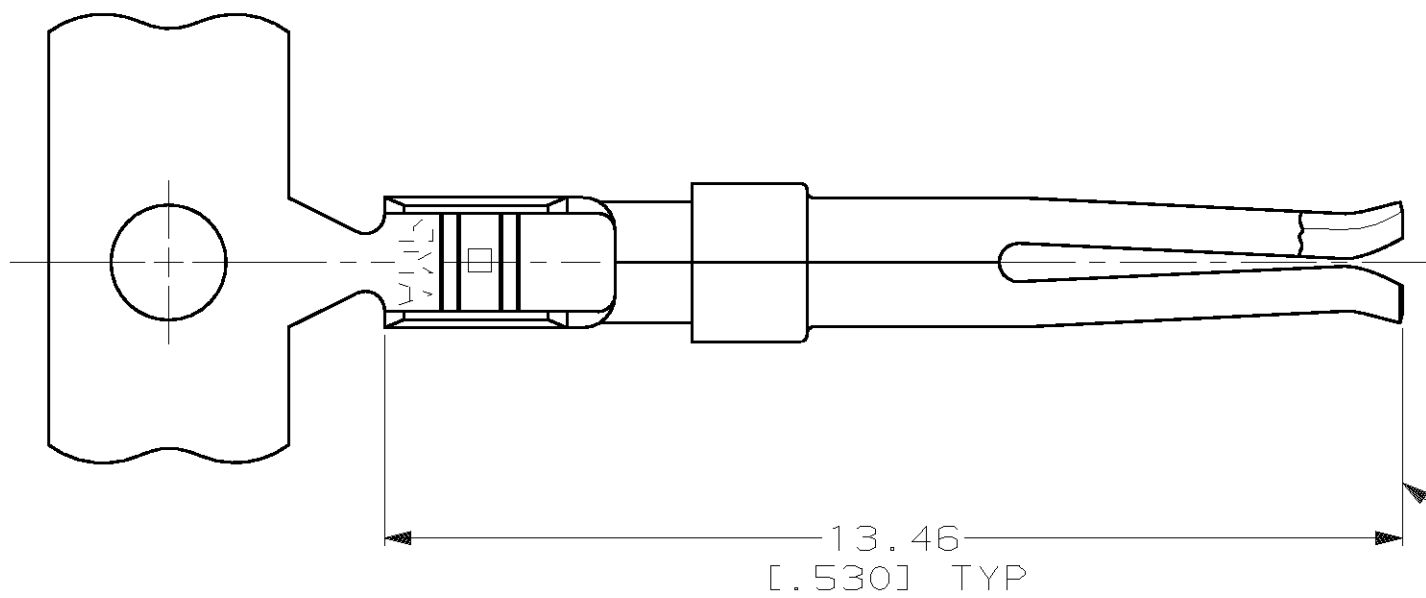
www.Jameco.com ♦ 1-800-831-4242

The content and copyrights of the attached
material are the property of its owner.

Jameco Part Number 223280

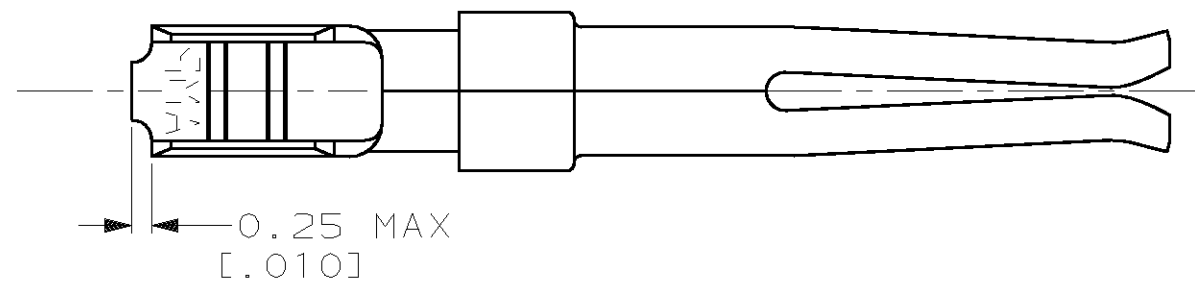
THIS DRAWING IS UNPUBLISHED. RELEASED FOR PUBLICATION .19
 (C) COPYRIGHT 19 BY AMP INCORPORATED. ALL RIGHTS RESERVED.

| LOC | DIST | REVISIONS | | | | | |
|-----|------|-----------|-----|---|-----------|-----|------|
| | | P | LTR | DESCRIPTION | DATE | DWN | APVD |
| BD | 48 | | S | OBS -12, -13, -24, -27 PER EC 0020-724-95 | 16 FEB 96 | MB | CS |
| | | | T | REDRAWN AND REV PER EC 0020-170-96 | 16 FEB 96 | MB | LF |
| | | | U | OBS -25 PER EC 0420-143-96 | 28 OCT 97 | TS | SB |
| | | | V | REV PER EC 001D-0260-00 | 12 SEP 01 | JR | JG |



- 1 2.54µm [0.000100] MIN TIN OR TIN-LEAD OVER 1.27µm [0.000050] MIN NICKEL.
- 2 0.76µm [0.000030] MIN GOLD FOR A LENGTH OF 2.54 [0.100] MIN FROM MATING END, GOLD FLASH ON REMAINDER ALL OVER 1.27µm [0.000050] MIN NICKEL.
- 3 GOLD PLATING PER MIL-G-45204, TIN PLATING PER MIL-T-10727, NICKEL PLATING PER QQ-N-290.
- 4 GOLD FLASH OVER 0.76µm [0.000030] MIN NICKEL.
- 5 GOLD FLASH FOR A LENGTH OF 2.54 [0.100] MIN FROM MATING END, 2.54µm [0.000100] MIN TIN PLATED WIRE BARRELS, ALL OVER 0.76µm [0.000030] MIN NICKEL.
- 6 0.76µm [0.000030] MIN GOLD FOR A LENGTH OF 2.54 [0.100] MIN FROM MATING END, 2.54µm [0.000100] MIN TIN PLATED WIRE BARRELS, ALL OVER 1.27µm [0.000050] MIN NICKEL.

| | | | | | |
|------------------------|-------------|---------------------|----------|-------------|------------|
| SUPERSEDED BY 205201-5 | SMALL PACK | SEE DETAIL C | NO | 2 | 2-205201-8 |
| | OBSOLETE | STANDARD | - | 6 | 2-205201-5 |
| SUPERSEDED BY 205201-6 | STANDARD | - | YES | 5 | 2-205201-2 |
| SUPERSEDED BY 205201-6 | STANDARD | - | YES | 1 | 1-205201-4 |
| | STANDARD | SEE DETAIL C | NO | 4 | 205201-7 |
| | STANDARD | - | YES | 4 | 205201-6 |
| | STANDARD | SEE DETAIL C | NO | 2 | 205201-5 |
| | STANDARD | - | YES | 2 | 205201-3 |
| PACKAGING TYPE | LOOSE PIECE | FOR MINI-APPLICATOR | FINISH 3 | PART NUMBER | |



DETAIL C

| | | | | |
|--|---------------------------|------------------|-----------|---|
| <small>THIS DRAWING IS A CONTROLLED DOCUMENT FOR AMP INCORPORATED. IT IS SUBJECT TO CHANGE AND THE CONTROLLING ENGINEERING ORGANIZATION SHOULD BE CONTACTED FOR THE LATEST REVISION.</small> | | DWN | 16 FEB 96 | AMP Incorporated Harrisburg, PA 17105-3608 |
| DIMENSIONS: mm [INCHES] | | CHK | 19 FEB 96 | |
| | | APVD | 19 FEB 96 | |
| TOLERANCES UNLESS OTHERWISE SPECIFIED: 0 PLC ±- 1 PLC ±- 2 PLC ±0.13 [0.005] 3 PLC ±- 4 PLC ±- ANGLES ±- FINISH SEE TABLE | | NAME | L.FIX | |
| MATERIAL | COPPER ALLOY PER QQ-B-750 | PRODUCT SPEC | - | SOCKET CONTACT, SIZE 20 DF, 20-24 AWG |
| | | APPLICATION SPEC | - | SIZE A2 |
| | | WEIGHT | - | CAGE CODE 00779 |
| | | CUSTOMER DRAWING | | DRAWING NO C-205201 |
| | | | | SCALE 10:1 SHEET 1 OF 1 REV V |