

Distributed by:

JAMECO[®]
ELECTRONICS

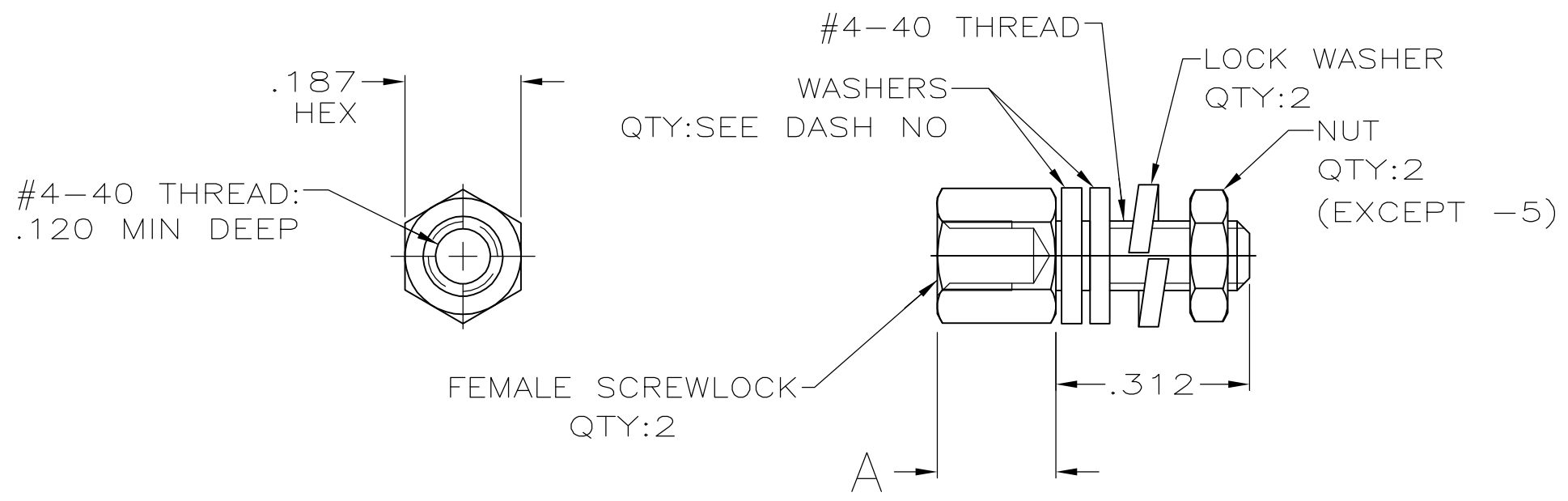
www.Jameco.com ♦ 1-800-831-4242

The content and copyrights of the attached
material are the property of its owner.

Jameco Part Number 913061

THIS DRAWING IS UNPUBLISHED. RELEASED FOR PUBLICATION
 © COPYRIGHT BY TYCO ELECTRONICS CORPORATION. ALL RIGHTS RESERVED.

LOC	DIST	REVISIONS					
GP	00	P	LTR	DESCRIPTION	DATE	DWN	APVD
			K1	REVISED PER ECO-06-020813	30OCT06	JDP	CWR



- 1 ZINC PLATED PER ASTM B633, TYPE II, CLASS SCI, YELLOW CHROMATE.
- 2 ZINC PLATED PER ASTM B633, TYPE III, CLASS SCI, CLEAR CHROMATE.
- 3. PARTS PACKAGED UNASSEMBLED.
- 4 PARTS PACKED AS A UNIT KIT.
- 5 PARTS INDIVIDUALLY BULK PACKED & SHIPPED AS A UNIT PACKAGE.
- 6. IDENTIFIED BY MIL SPEC PART NUMBER M24308/26-01 FOR -8 ONLY & AMP PART NUMBER (FOR ALL DASH NUMBERS).
- 7 SMALL PACK PACKAGING.

OBSOLETE	7	4	.188	1	1-205817-2	
OBSOLETE	5	0	.188	2	1-205817-1	
OBSOLETE	5	0	.188	2	1-205817-0	
OBSOLETE	5	6	.188	1	205817-9	
	4	6	.188	1	205817-8	
OBSOLETE	5	4	.191±.002	1	205817-7	
OBSOLETE	4	4	.191±.002	1	205817-6	
OBSOLETE	5	2	.188	2	205817-5	
OBSOLETE	5	4	.188	2	205817-4	
	4	4	.188	2	205817-3	
OBSOLETE	5	4	.188	1	205817-2	
	4	4	.188	1	205817-1	
		PACKAGING	NO OF WASHERS	A	FINISH	PART NUMBER

THIS DRAWING IS A CONTROLLED DOCUMENT.		DWN	J GALLUCCI BG	4-11-90	tyco Electronics	Tyco Electronics Corporation													
		CHK	W G LENKER	6-15-90		Harrisburg, PA 17105-3608													
DIMENSIONS: INCHES		TOLERANCES UNLESS OTHERWISE SPECIFIED:		NAME															
<table border="0"> <tr><td>0 PLC</td><td>± -</td></tr> <tr><td>1 PLC</td><td>± -</td></tr> <tr><td>2 PLC</td><td>± -</td></tr> <tr><td>3 PLC</td><td>± .005</td></tr> <tr><td>4 PLC</td><td>± -</td></tr> <tr><td>ANGLES</td><td>± -</td></tr> </table>		0 PLC	± -	1 PLC	± -	2 PLC	± -	3 PLC	± .005	4 PLC	± -	ANGLES	± -	PRODUCT SPEC		KIT, SCREWLOCK, FEMALE, AMPLIMITE			
0 PLC	± -																		
1 PLC	± -																		
2 PLC	± -																		
3 PLC	± .005																		
4 PLC	± -																		
ANGLES	± -																		
MATERIAL		FINISH		APPLICATION SPEC		RESTRICTED TO													
COLD ROLLED STEEL		SEE TABLE		WEIGHT		-													
CUSTOMER DRAWING				SIZE	A3	CAGE CODE	00779												
				DRAWING NO	C=205817		RESTRICTED TO												
				SCALE	4:1	SHEET	1 OF 1												
				REV	K1														