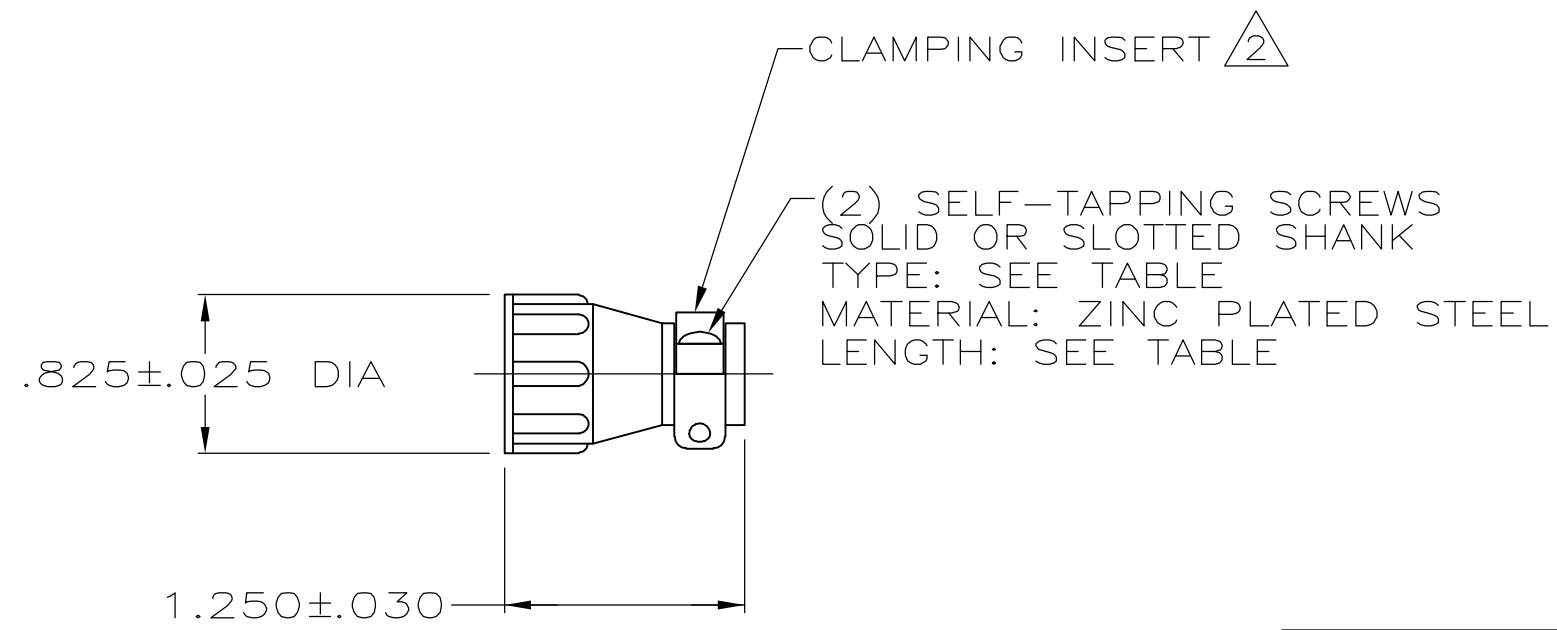


THIS DRAWING IS UNPUBLISHED. RELEASED FOR PUBLICATION
 © COPYRIGHT BY TYCO ELECTRONICS CORPORATION. ALL RIGHTS RESERVED.

LOC	DIST	REVISIONS					
FT	0	P	LTR	DESCRIPTION	DATE	DWN	APVD
			T	REVISED PER ECO-06-3414	2/21/06	SS	SH



- PARTS PACKAGED UNASSEMBLED.
- CABLE CLAMPING AREA ADJUSTABLE FROM .004 TO .055 SQ IN BY REVERSING CLAMPING INSERTS.
- .329 MAXIMUM CABLE OUTSIDE DIAMETER.
- BULK PACKAGED KITS TO BE ORDERED IN MULTIPLES OF 400 ONLY.
- OBSOLETE PART NUMBER.
- ZINC PLATED STEEL, HEXAVALENT CHROMATE.
- STAINLESS STEEL (NON MAGNATIC).
- CABLE CLAMP WITH NON-MAGNETIC STAINLESS STEEL SCREWS.
- ZINC PLATED STEEL, NON-HEXAVALENT CHROMATE.

	INDIVIDUAL	9	.375	#5-20	1-206062-6
4	BULK	9	.375	#5-20	1-206062-5
	INDIVIDUAL	9	.500	#5-20	1-206062-4
	INDIVIDUAL	9	.625	#5-20	1-206062-3
8	INDIVIDUAL	7	.500	#5-20	1-206062-2
	INDIVIDUAL	6	.625	#5-20	1-206062-1
	SMALL PACK	6	.375	#5-20	1-206062-0
	AMP BRAZIL USE ONLY INDIVIDUAL	6	12mm	3mm-20	5 206062-9
	AMP BRAZIL USE ONLY INDIVIDUAL	6	10mm	3mm-20	5 206062-8
4	BULK	6	.500	#5-20	206062-4
	INDIVIDUAL	6	.500	#5-20	206062-3
4	BULK	6	.375	#5-20	206062-2
	INDIVIDUAL	6	.375	#5-20	206062-1
	PACKAGING	SCREW FINISH	SCREW LENGTH	SCREW TYPE	PART NUMBER

THIS DRAWING IS A CONTROLLED DOCUMENT.		DWN A GRAFF 4/29/91	Tyco Electronics Corporation Harrisburg, PA 17105-3608	
DIMENSIONS: INCHES		CHK W.G.LENKER 7-22-92	NAME CABLE CLAMP KIT, STANDARD, SHELL SIZE 11, CPC	
TOLERANCES UNLESS OTHERWISE SPECIFIED:		APVD -	PRODUCT SPEC -	
0 PLC ± - 1 PLC ± - 2 PLC ± - 3 PLC ± - 4 PLC ± - ANGLES ± -		APPLICATION SPEC -	SIZE A3	CAGE CODE 00779
MATERIAL THERMOPLASTIC,	FINISH -	WEIGHT -	DRAWING NO C=206062	RESTRICTED TO -
CUSTOMER DRAWING			SCALE NTS	SHEET 1 OF 1
			REV T	