

Distributed by:

**JAMECO**<sup>®</sup>  
ELECTRONICS

**www.Jameco.com ♦ 1-800-831-4242**

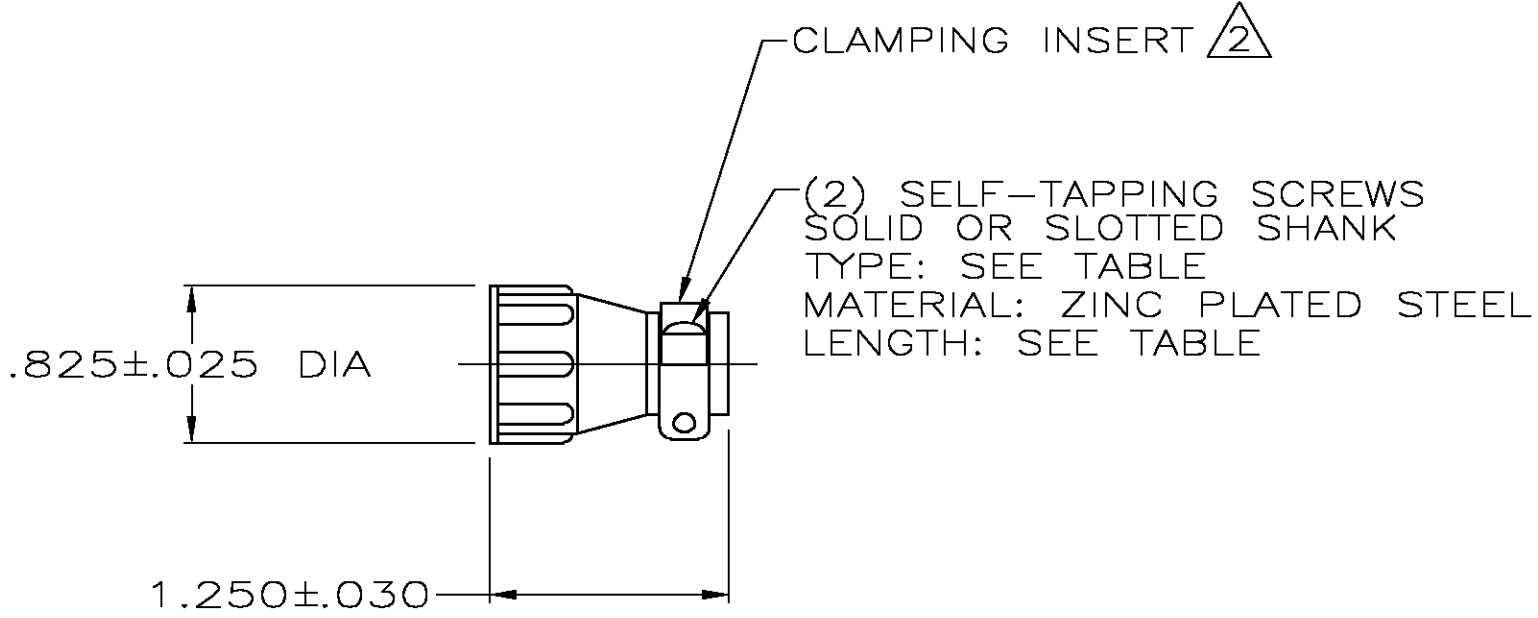
The content and copyrights of the attached  
material are the property of its owner.

Jameco Part Number 494047

THIS DRAWING IS UNPUBLISHED. RELEASED FOR PUBLICATION  
 © COPYRIGHT BY TYCO ELECTRONICS CORPORATION. ALL RIGHTS RESERVED.

LOC	DIST	REVISIONS					
FT	0	P	LTR	DESCRIPTION	DATE	DWN	APVD
			S1	REVISED PER ECO-05-3574	6/16/05	SS	SH

1. PARTS PACKAGED UNASSEMBLED.
2. CABLE CLAMPING AREA ADJUSTABLE FROM .004 TO .055 SQ IN BY REVERSING CLAMPING INSERTS.
3. .329 MAXIMUM CABLE OUTSIDE DIAMETER.
4. BULK PACKAGED KITS TO BE ORDERED IN MULTIPLES OF 400 ONLY.
5. OBSOLETE PART NUMBER.
6. ZINC PLATED STEEL.
7. STAINLESS STEEL (NON MAGNATIC).



AMP BRAZIL USE ONLY  
 AMP BRAZIL USE ONLY

INDIVIDUAL	7	.500	#5-20	1-206062-2
INDIVIDUAL	6	.625	#5-20	1-206062-1
SMALL PACK	6	.375	#5-20	1-206062-0
AMP BRAZIL USE ONLY INDIVIDUAL	6	12mm	3mm-20	5 206062-9
AMP BRAZIL USE ONLY INDIVIDUAL	6	10mm	3mm-20	5 206062-8
4 BULK	6	.500	#5-20	206062-4
INDIVIDUAL	6	.500	#5-20	206062-3
4 BULK	6	.375	#5-20	206062-2
INDIVIDUAL	6	.375	#5-20	206062-1
PACKAGING	SCREW FINISH	SCREW LENGTH	SCREW TYPE	PART NUMBER

THIS DRAWING IS A CONTROLLED DOCUMENT.		DWN A GRAFF 4/29/91	Tyco Electronics Corporation Harrisburg, Pa 17105-3608	
DIMENSIONS: INCHES		CHK W.G.LENKER 7-22-92	NAME CABLE CLAMP KIT, STANDARD, SHELL SIZE 11, CPC	
		APVD -	RESTRICTED TO -	
TOLERANCES UNLESS OTHERWISE SPECIFIED:		PRODUCT SPEC -	SIZE A3	
0 PLC ± - 1 PLC ± - 2 PLC ± - 3 PLC ± - 4 PLC ± - ANGLES ± -		APPLICATION SPEC -	CAGE CODE 00779	DRAWING NO C-206062
MATERIAL THERMOPLASTIC,		FINISH -	WEIGHT -	SCALE 1:1
CUSTOMER DRAWING			SHEET 1 OF 1	REV S1