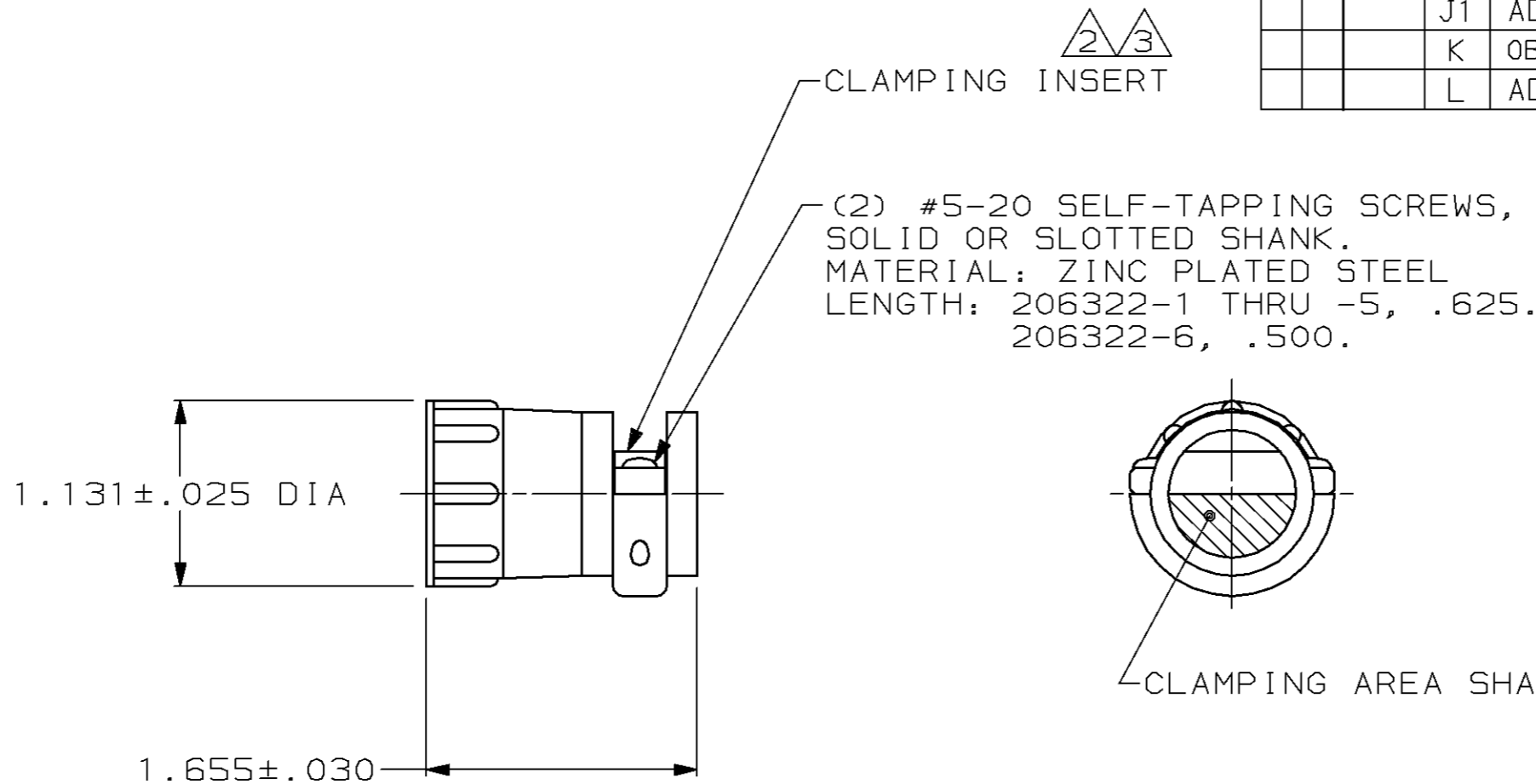


THIS DRAWING IS UNPUBLISHED. RELEASED FOR PUBLICATION, 19 .
 © COPYRIGHT 19 BY AMP INCORPORATED. ALL INTERNATIONAL RIGHTS RESERVED.

LOC	DIST	P	F	ZONE	LTR	DESCRIPTION	DATE	APPD
BD	35				H	REDRAWN	4/23/91	-
					J	REV PER ECN BD6815	10/16/92	KB
					J1	ADDED -5 NPR 4832	07/06/93	AF
					K	OBSOLETE -4 PER EC 0020-1564-93	08/10/94	AF
					L	ADDED -6 PER EC 0020-1296-95	17 NOV 95	RB



OBSOLETE

- 1. PARTS PACKAGED UNASSEMBLED.
- 2. CABLE CLAMPING AREA ADJUSTABLE FROM .100 TO .410 SQ IN BY REVERSING CLAMPING INSERTS. (2 INSERTS SUPPLIED, -1 AND -2 ONLY)
- 3. CABLE CLAMPING AREA ADJUSTABLE FROM .100 TO .410 SQ IN BY CHANGING CLAMPING INSERTS. (4 INSERTS SUPPLIED, -4 ONLY)
- 4. .703 MAXIMUM CABLE OUTSIDE DIAMETER.
- 5. BULK PACKAGED KITS TO BE ORDERED IN MULTIPLES OF 100 ONLY.

5	BULK	206322-6
	SMALL PACK	206322-5
	INDIVIDUAL	206322-4
5	BULK	206322-2
	INDIVIDUAL	206322-1
	PACKAGING	PART NUMBER

DO NOT SCALE PRINT. UNLESS SPECIFIED DIMENSIONS IN INCHES TOLERANCES ON: 2 PLC DEC ± - 3 PLC DEC ± - ANGLES ± -	DR 4/23/91 A GRAFF	AMP Incorporated Harrisburg, PA 17105-3608
	CHK 7-22-92 W.G. LENKER	
	APPD 7-22-92 K. BEAVER	
	APPD 7-22-92 C. ROHDE	
MATERIAL THERMOPLASTIC, BLACK	PRODUCT SPEC 108-10024	NAME CABLE CLAMP KIT, LARGE, SHELL SIZE 17, CPC
FINISH -	APPLICATION SPEC -	SIZE B CAGE CODE 00779 DRAWING NO 206322
	WEIGHT -	SCALE 1:1 SHEET 1 OF 1