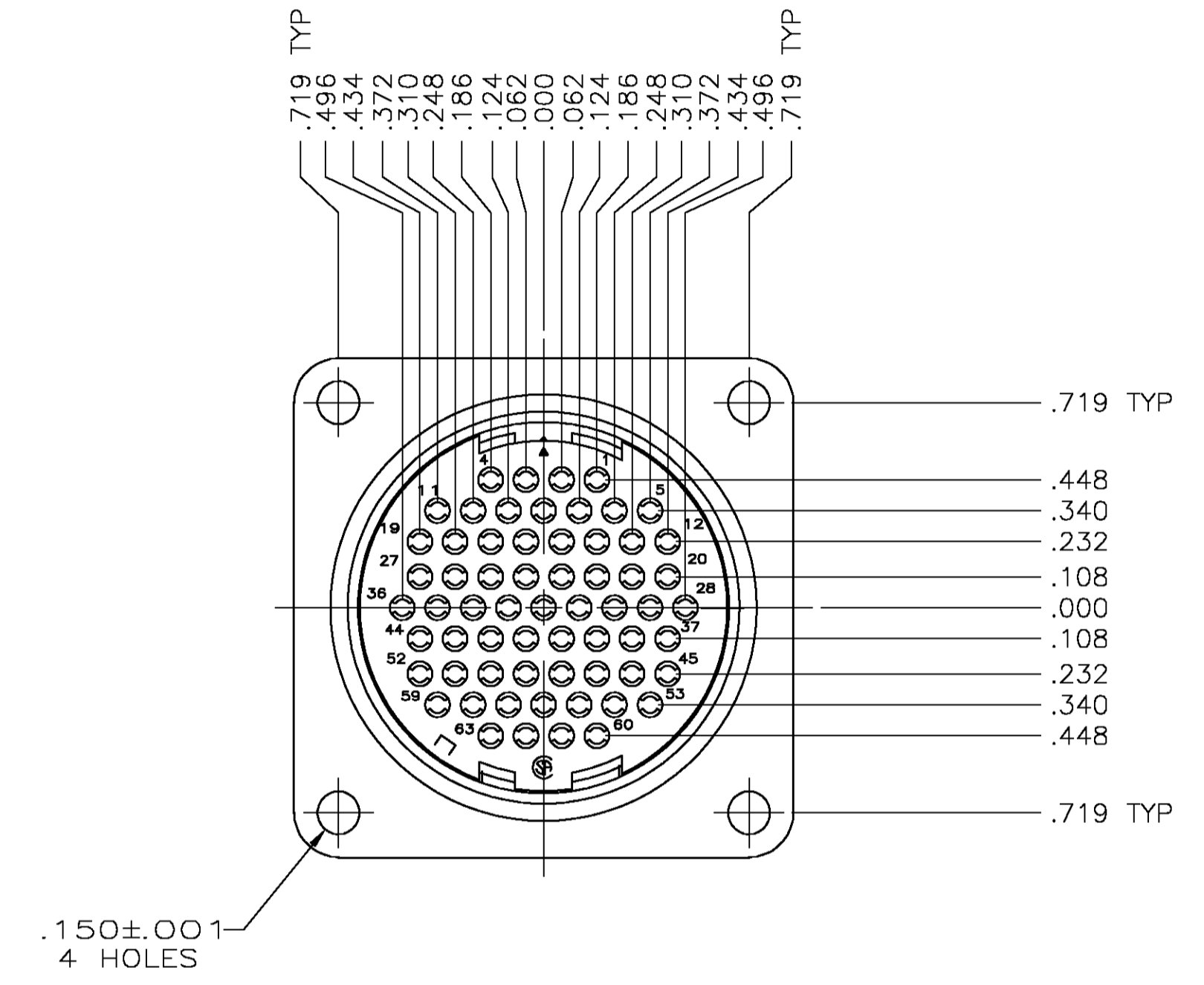
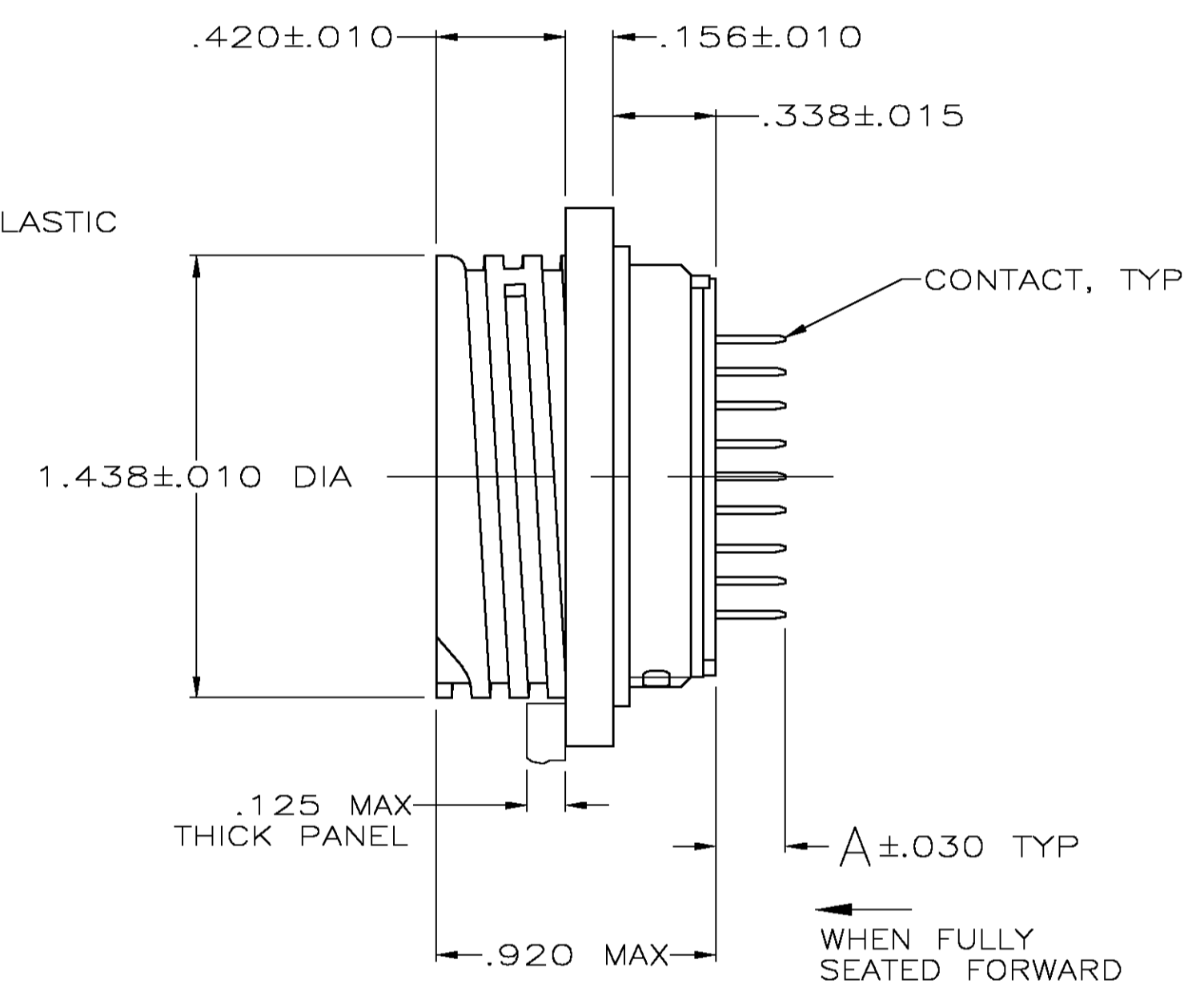
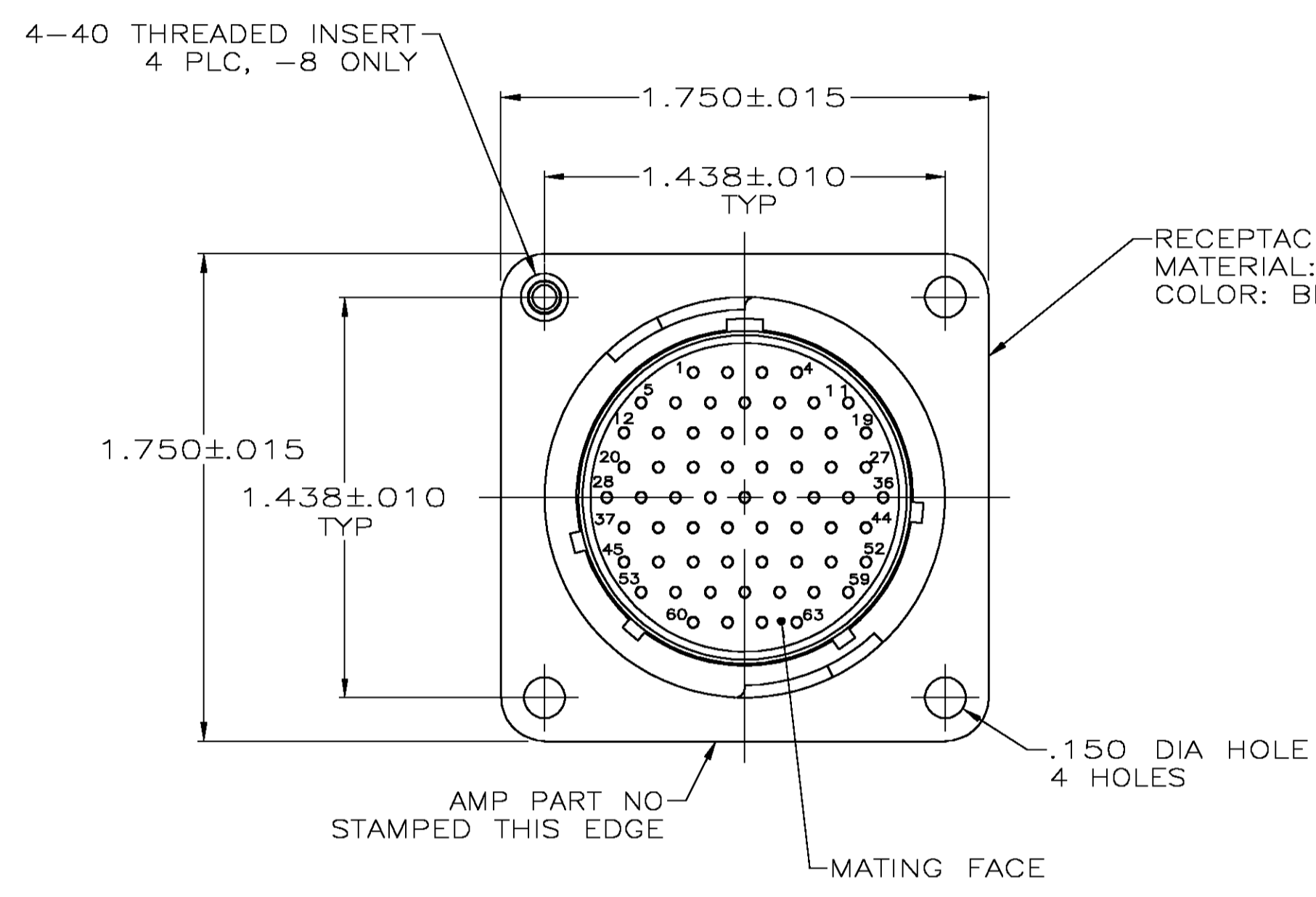


- CONTACT CAVITIES IDENTIFIED BY CHARACTERS ON FRONT AND REAR OF CONNECTOR.
- Δ .000030 MIN GOLD FOR A LENGTH OF .200 MIN FROM MATING END, .000100 MIN TIN-LEAD FOR A LENGTH OF DIMENSION "A" FROM OPPOSITE END, ALL OVER .000050 MIN NICKEL.
- RECOMMENDED PC BOARD HOLE SIZE FOR CONTACT POST = 1.02 ± 0.08 [.040 \pm .003] DIA.
- Δ .000030 MIN GOLD FOR A LENGTH OF .200 MIN FROM MATING END, .000100 MIN TIN FOR A LENGTH OF DIMENSION "A" FROM OPPOSITE END, ALL OVER .000050 MIN NICKEL.



	Δ	NO	.227	1-206455-2
	Δ	NO	.449	1-206455-1
PRELIMINARY	Δ	YES	.671	206455-9
PRELIMINARY	Δ	YES	.449	206455-8
PRELIMINARY	Δ	NO	.671	206455-7
OBSOLETE	Δ	NO	.227	206455-3
	Δ	NO	.227	206455-2
	Δ	NO	.449	206455-1
CONTACT FINISH		4-40 THREADED INSERTS	A	PART NUMBER

THIS DRAWING IS A CONTROLLED DOCUMENT.

DIMENSIONS:	TOLERANCES UNLESS OTHERWISE SPECIFIED:	DIN	5-30-91	Tyco Electronics Corporation Harrisburg, Pa 17105-3608			
INCHES	0 PLC ± - 1 PLC ± - 2 PLC ± - 3 PLC ± .005 4 PLC ± - ANGLES ± -	J. GALLUCCI	4-14-92				
MATERIAL	SEE CALLOUT	CIK	4-14-92	RECEPTACLE ASSEMBLY, POSTED, STD SEX, SERIES 1, 23-37, CPC			
		W. G. LENKER	4-14-92				
		APVD		SIZE	CAGE CODE	DRAWING NO	RESTRICTED TO
		K. BEAVER		A1	00779	206455	
		PRODUCT SPEC		CUSTOMER DRAWING		SCALE	SHEET
		APPLICATION SPEC				2:1	1 OF 1