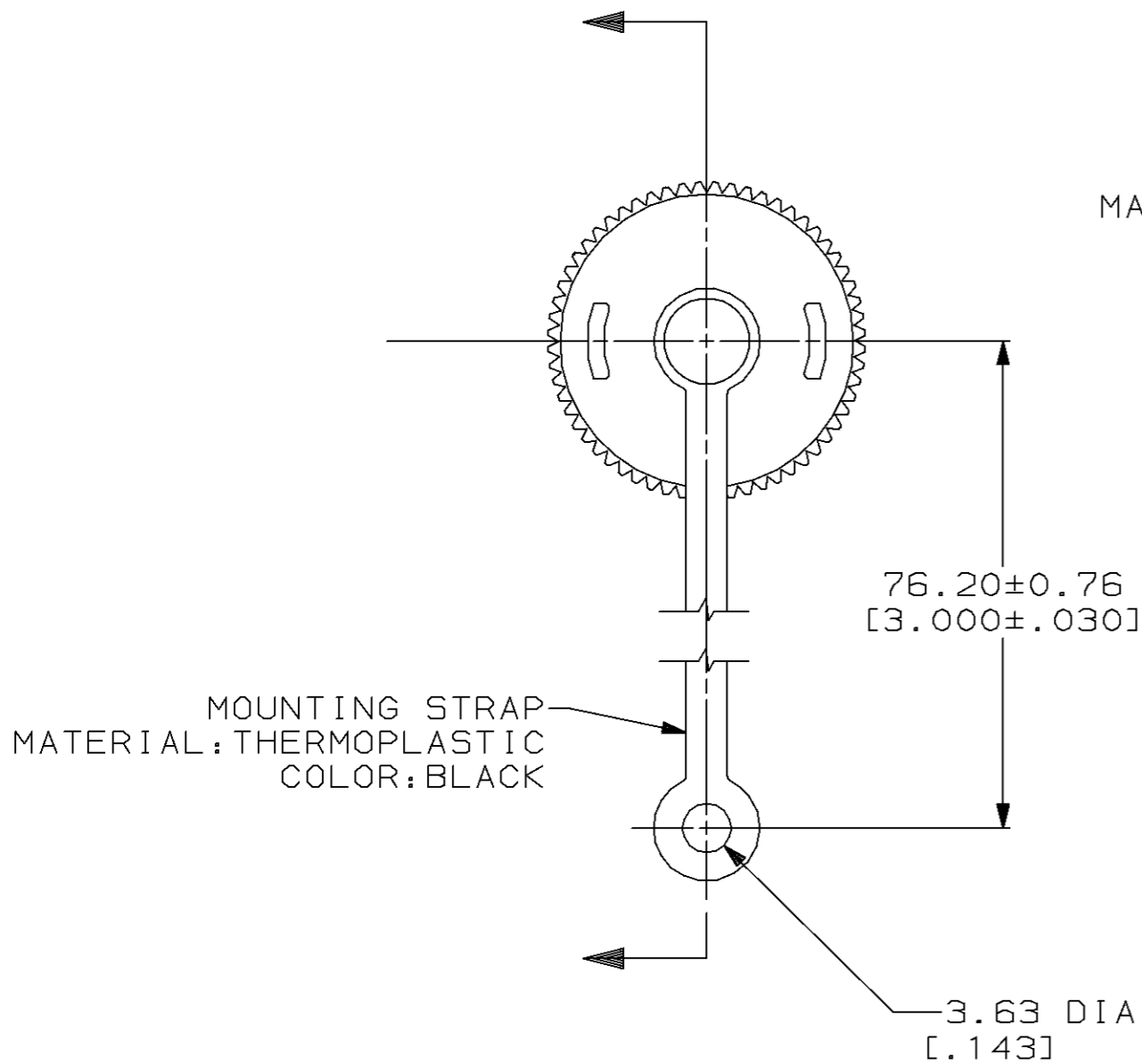


THIS DRAWING IS UNPUBLISHED. RELEASED FOR PUBLICATION, 19
 © COPYRIGHT 19 BY AMP INCORPORATED. ALL INTERNATIONAL RIGHTS RESERVED.

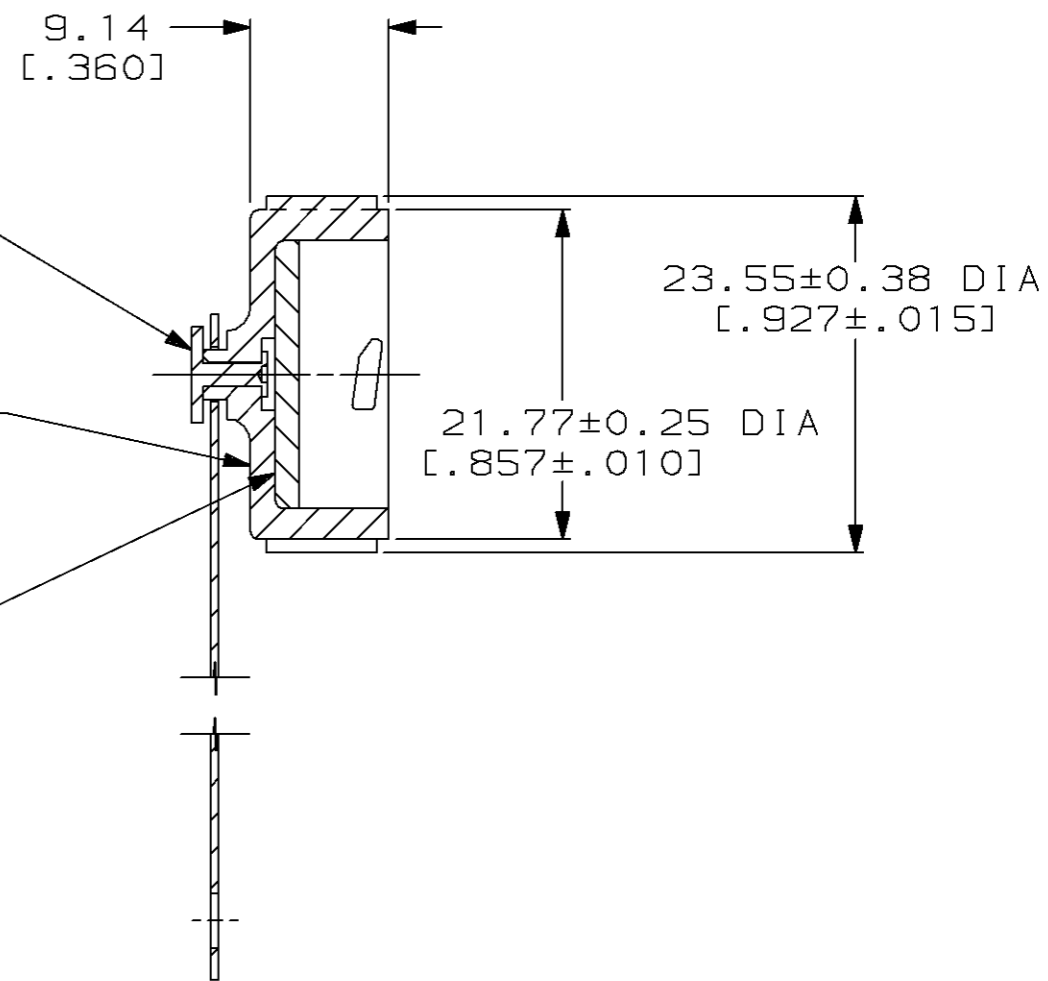
MOD	LOC	DIST	P	F	ZONE	LTR	DESCRIPTION	DATE	APPD
4	BD	35				C	REDRAWN & REV PER EC 0020-680-93	6-9-93	AF



RIVET
MATERIAL: CARBON STEEL
FINISH: ZINC PLATE
W/CLEAR CHROMATE

SEALING CAP
MATERIAL: THERMOPLASTIC
COLOR: BLACK

SEALING GASKET
MATERIAL: NEOPRENE
RUBBER



206903-1
PART NUMBER

DO NOT SCALE PRINT. UNLESS SPECIFIED DIMENSIONS IN mm [INCHES] TOLERANCES ON: 2 PLC DEC ± 0.13 [.005] 3 PLC DEC ± - ANGLES ± -		DR 6-9-93 D. BROCKWAY	AMP Incorporated Harrisburg, PA 17105-3608
MATERIAL SEE CALLOUTS	CHK 7-1-93 R. STONE	APPD 7-1-93 AL FRANTUM	
FINISH SEE CALLOUTS	APPD 7-1-93 AL FRANTUM	PRODUCT SPEC -	NAME SEALING CAP ASSY, SIZE 11, CPC
THIS DRAWING IS A CONTROLLED DOCUMENT FOR AMP INCORPORATED. IT IS SUBJECT TO CHANGE AND THE CONTROLLING ENGINEERING ORGANIZATION SHOULD BE CONTACTED FOR THE LATEST REVISION.		APPLICATION SPEC -	SIZE B CAGE CODE 00779 DRAWING NO C-206903
		WEIGHT -	SCALE 2:1 SHEET 1 OF 1