

Hardware (Continued)

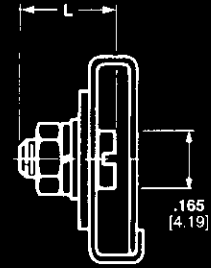
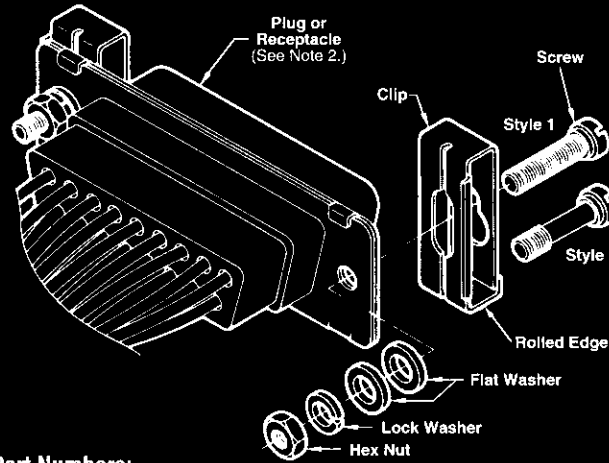
Slide Latch Clip Assembly for Unfiltered Mating Half

Material and Finish:

Screw, Washers and Hex Nut—Cold rolled steel, zinc plated clear chromate
Clip—Stainless steel

Technical Documents:

Instruction Sheet—408-7785



Notes:

1. All parts are packaged unassembled.
2. Slide Latch Clip Assemblies can be used on any Subminiature D AMPLIMITE HD-20 metal-shell plug or receptacle.
3. Slide Latch Clip Assemblies mate with Locking Post Assemblies shown below.

Kit Part Numbers:

Thread Size	Screw Length L	Pkg.	Screw Style	Part No.
4-40	.415	Unit	1	206942-1
	10.54	Bulk		206942-2
2-56	.547	Unit	2	748078-1**
	13.89	—		—

† Two assemblies per package.
 * Each part is individually bulk packed for multiple kit orders.
 ** Designed for cable clamps with mounting ears. No flat washers included.

Cable Connectors

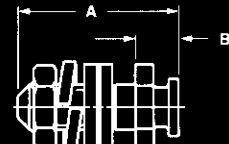
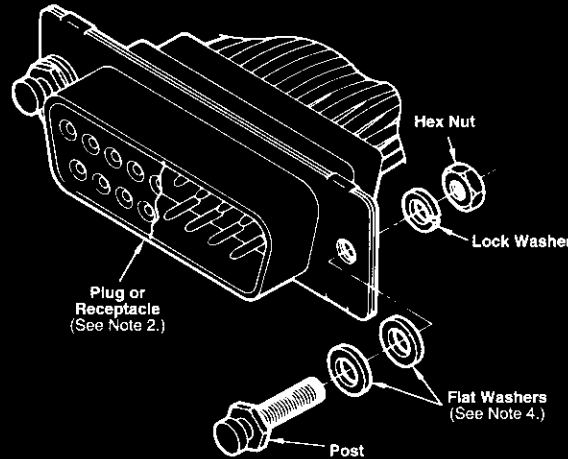
Locking Post Assembly

Material and Finish:

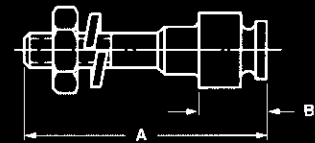
All Parts—Cold rolled steel, zinc plated clear or yellow chromate

Related Product Data:

Connectors used with:
HDE Metal-Shell or All-Plastic—pages 117-120
HDF Metal-Shell or All-Plastic—pages 130 & 131
HDP Metal-Shell—pages 95-107
HD Board Mount—pages 55-72, 83-90, 92-94
Instruction Sheets—
 408-6551
 408-7785



Part No. 206514-1



Part No. 747242-1

Notes:

1. All parts are packaged unassembled.
2. Each kit is comprised of two complete assemblies, as illustrated above.
3. For front panel mounting, it is recommended that a shim be used between the connector flange and panel to prevent bowing of the flange.
4. Locking posts with 2-56 thread size are to be used with cable clamps with mounting flanges. Locking posts with 4-40 thread size can be used with all other cable clamps
5. Locking posts mate with slide latches (page 154).

Thread Size	Locking Post Finish	Dimensions		Locking Post Kit Number (See Note 4)	
		A	B	Individual	Bulk Packed*
4-40	Yellow Chromate	.410	.110	206514-1	206514-3
	Clear Chromate	10.41	2.79	206514-4	—
	Yellow Chromate	.560	.110	206514-6	206514-7
	Clear Chromate	14.22	2.79	—	—
2-56	Yellow Chromate	.615	.172	747242-1	—
	Clear Chromate	15.62	4.37	747242-3	—

*Each part is individually bulk packed for multiple kit orders.