

Distributed by:

JAMECO[®]
ELECTRONICS

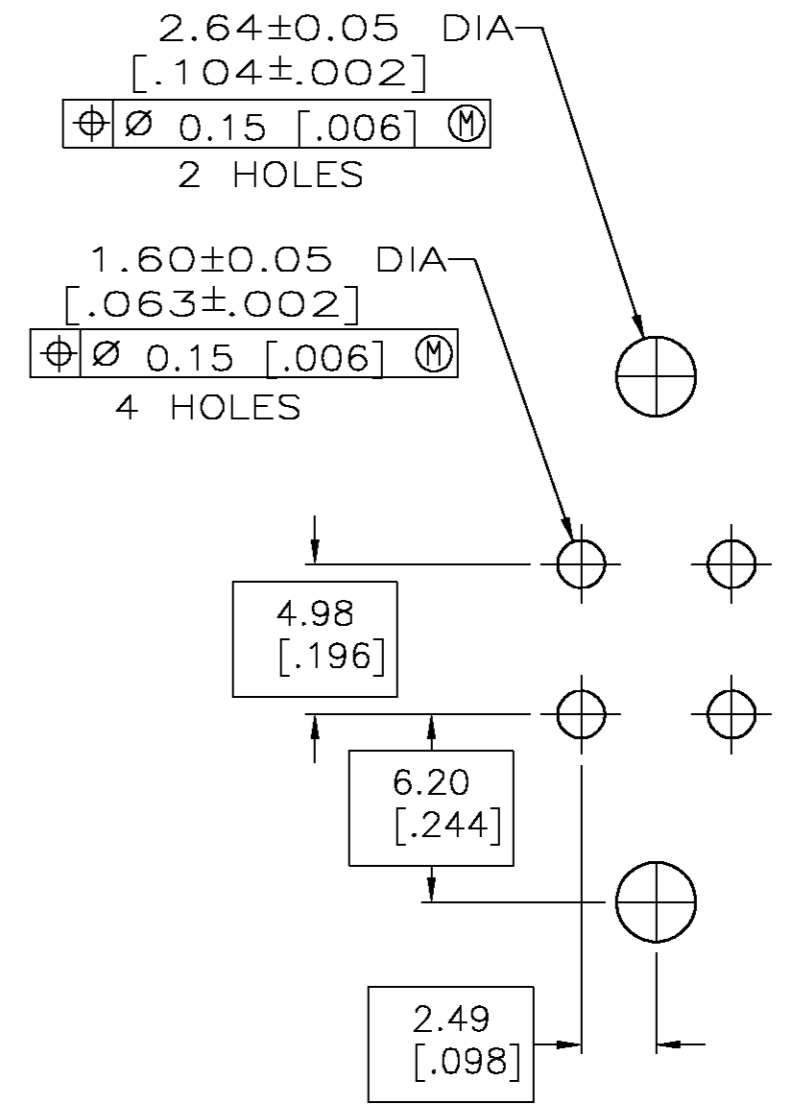
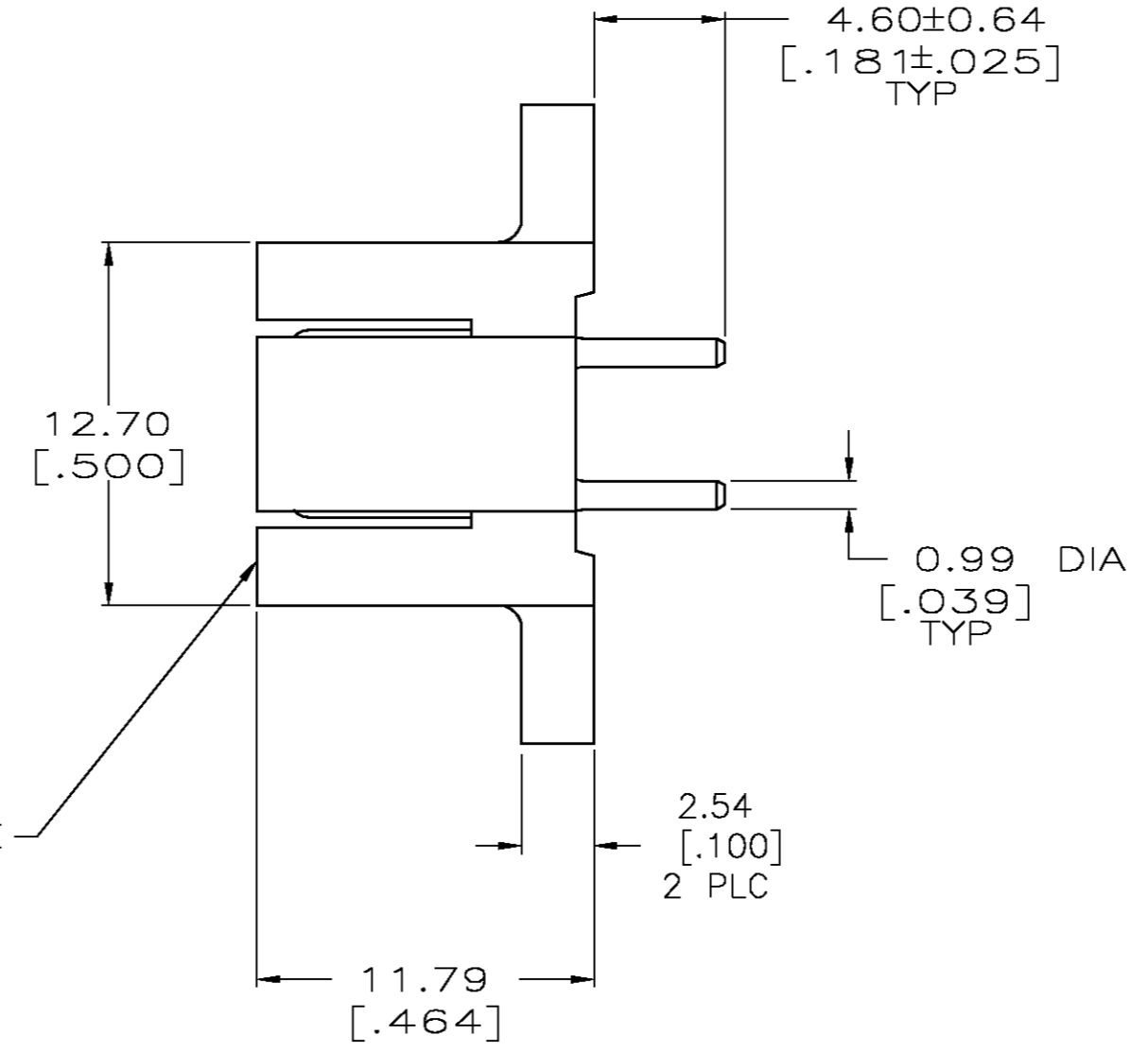
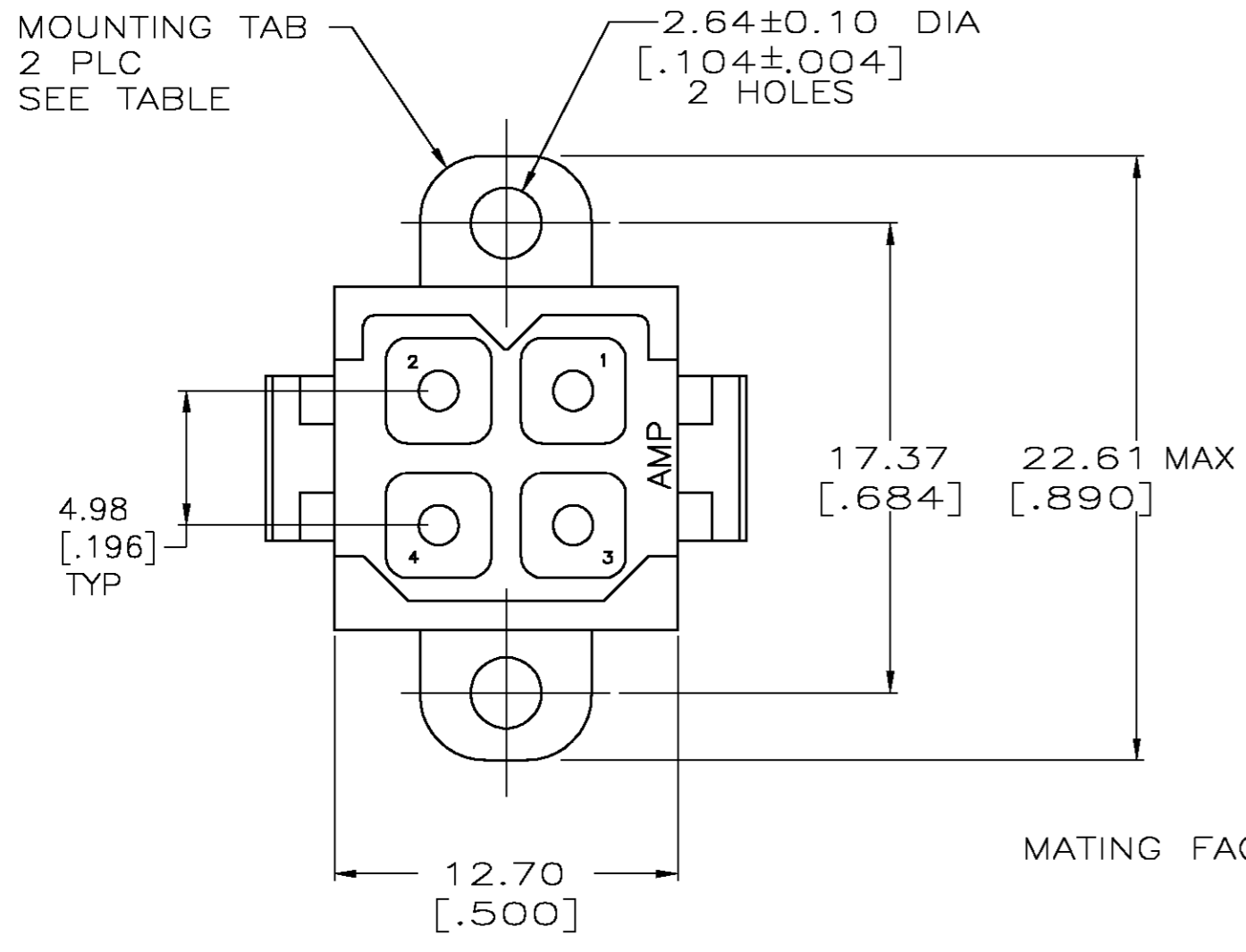
www.Jameco.com ♦ 1-800-831-4242

The content and copyrights of the attached
material are the property of its owner.

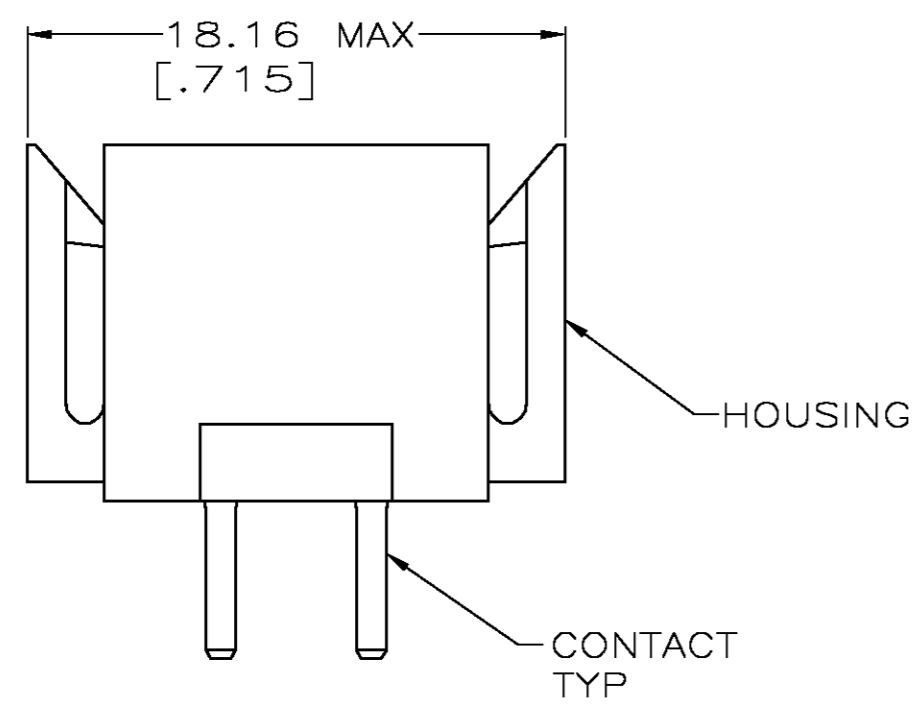
Jameco Part Number 913951

THIS DRAWING IS UNPUBLISHED. RELEASED FOR PUBLICATION
 © COPYRIGHT BY TYCO ELECTRONICS CORPORATION. ALL RIGHTS RESERVED.

Loc		DIST		REVISIONS			
P	LTR	DESCRIPTION	DATE	DWN	APVD		
FT	0	S	REVISED PER 0C3B-0164-05	3/9/05	SS	GS	



RECOMMENDED PC BOARD LAYOUT



- ① NYLON, UL 94V-0 RATED, RED.
- ② BRASS PER ASTM B36.
- ③ 3.81um [.000150] MIN TIN OVER 2.54um [.000100] MIN COPPER.
- ④ 0.76um [.000030] MIN GOLD FOR A LENGTH OF 5.08 [.200] FROM MATING END, 3.81um [.000150] MIN TIN FOR A LENGTH OF 4.83 [.190] MIN FROM OPPOSITE END, BOTH OVER 1.27um [.000050] MIN NICKEL.
- ⑤ CONTACTS SELECT LOADED IN POSITIONS 2, 3 AND 4.
- ⑥ 3.81um [.000150] MIN TIN OVER 2.54um [.000100] MIN COPPER.
- ⑦ 0.76um [.000030] MIN GOLD FOR A LENGTH OF 5.08 [.200] FROM MATING END, 3.81um [.000150] MIN TIN FOR A LENGTH OF 4.83 [.190] MIN FROM OPPOSITE END, BOTH OVER 1.27um [.000050] MIN NICKEL.

⑤	⑥	YES	1-207119-2
	⑦	NO	1-207119-1
	⑦	YES	1-207119-0
	⑥	NO	207119-9
	⑥	YES	207119-8
⑤	③	YES	207119-7
	④	NO	207119-4
	④	YES	207119-3
	③	NO	207119-2
	③	YES	207119-1
CONTACT FINISH		MOUNTING TABS	PART NUMBER

THIS DRAWING IS A CONTROLLED DOCUMENT.

DIMENSIONS: mm [INCHES]	TOLERANCES UNLESS OTHERWISE SPECIFIED: 0 PLC ± - 1 PLC ± - 2 PLC ± 0.25 [.010] 3 PLC ± - 4 PLC ± - ANGLES ± -	DWN L.SIPE 03/10/92 CHK R.STONE 3-17-92 APVD - PRODUCT SPEC 108-10033 APPLICATION SPEC - WEIGHT -	Tyco Electronics Corporation Harrisburg, Pa 17105-3608 PIN HEADER ASSEMBLY, 4 POSITION, METRIMATE SIZE A2 CAGE CODE 00779 DRAWING NO C=207119 RESTRICTED TO -
MATERIAL HOUSING: 1	FINISH CONTACT: SEE TABLE	CUSTOMER DRAWING	SCALE 4:1 SHEET 1 OF 1 REV S