

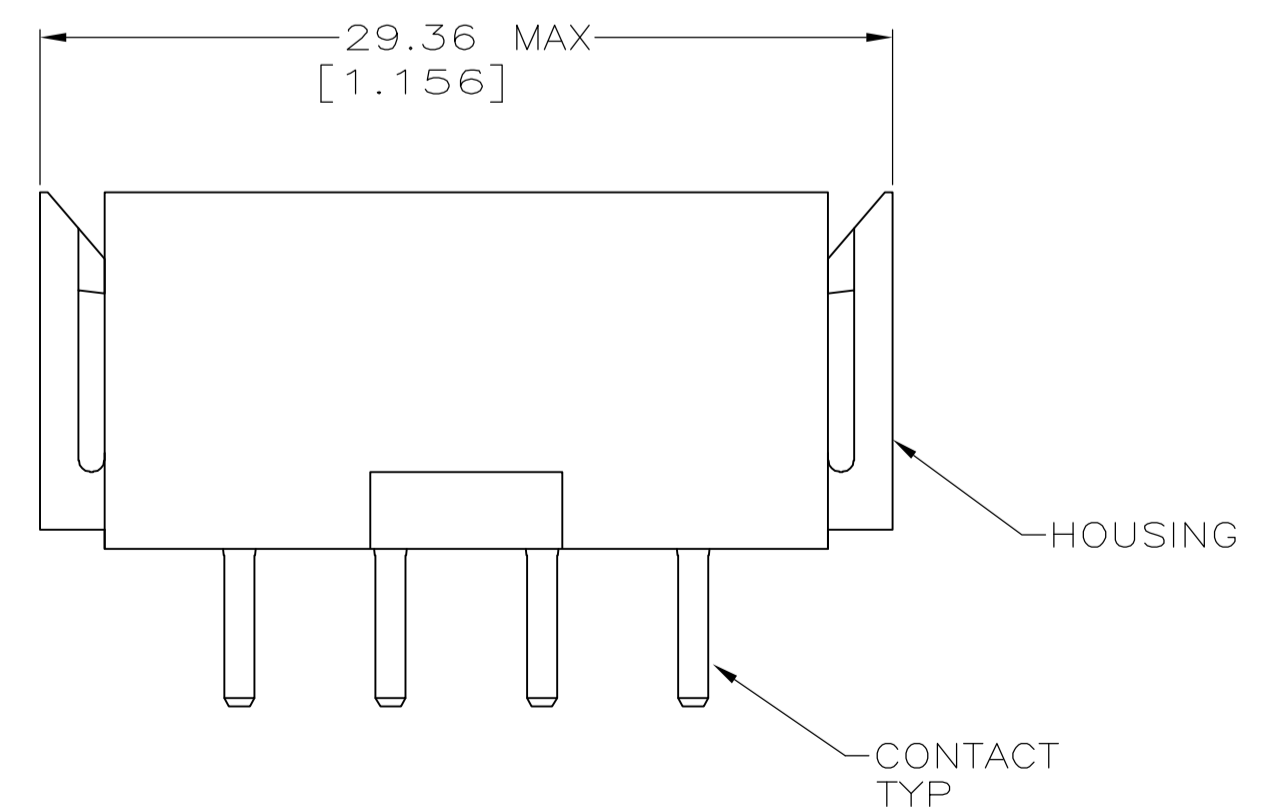
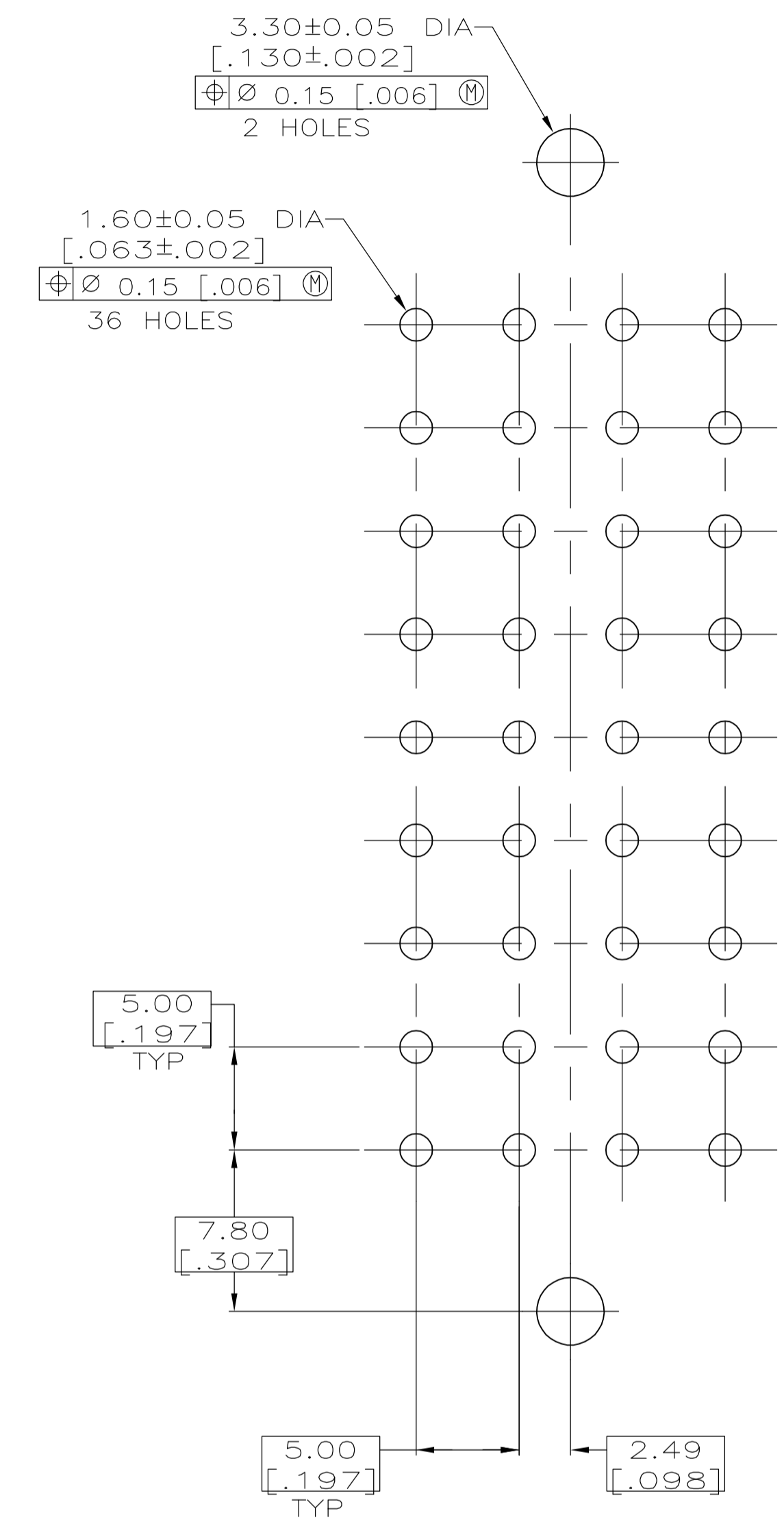
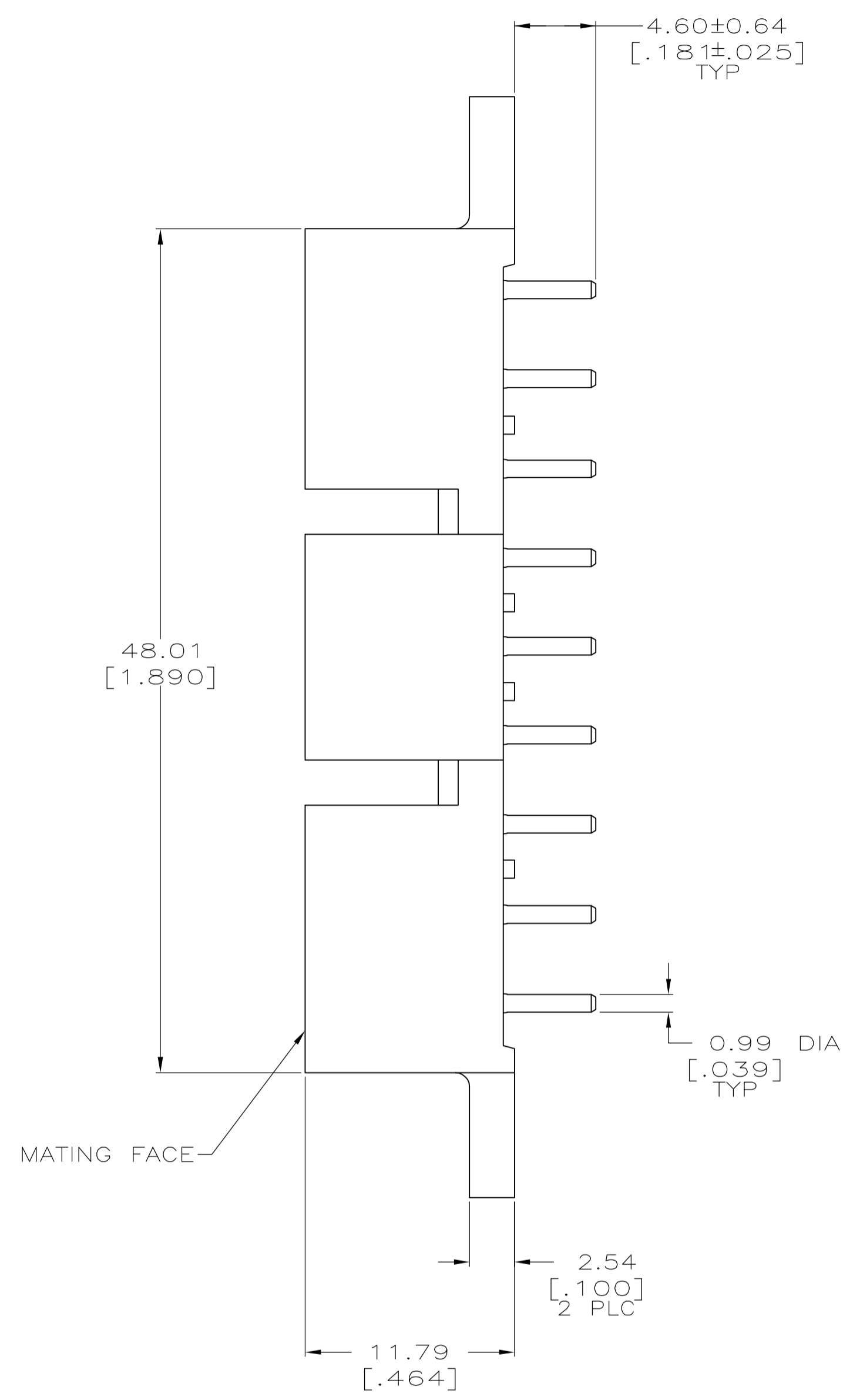
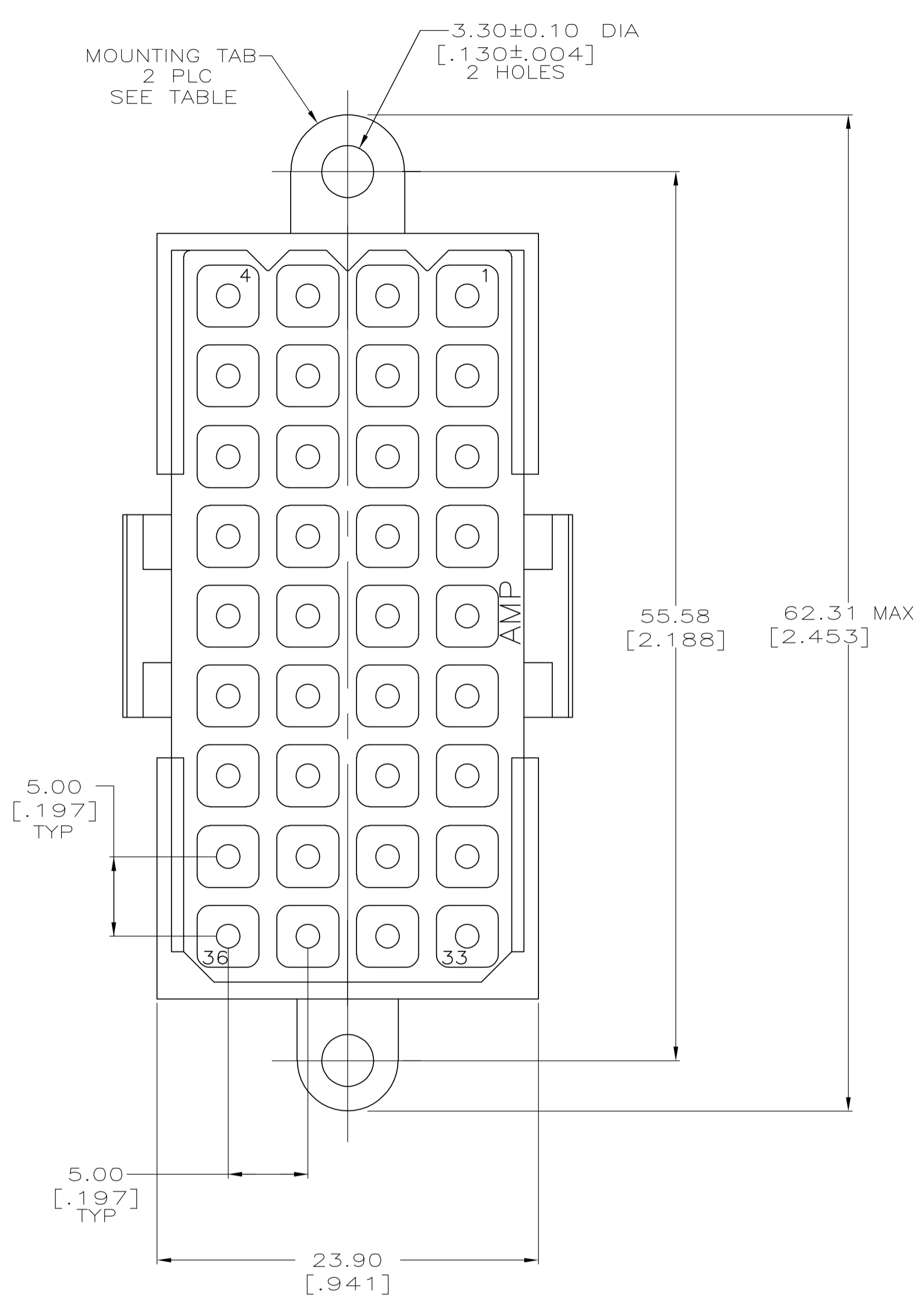
Distributed by:

**JAMECO**<sup>®</sup>  
ELECTRONICS

**www.Jameco.com ♦ 1-800-831-4242**

The content and copyrights of the attached  
material are the property of its owner.

Jameco Part Number 914064



- ① NYLON, UL 94V-0 RATED, RED.
- ② BRASS PER ASTM B36.
- ③ 3.81um [.000150] MIN TIN OVER 2.54um [.000100] MIN COPPER.
- ④ 0.76um [.000030] MIN GOLD FOR A LENGTH OF 5.08 [.200] FROM MATING END, 3.81um [.000150] MIN TIN-LEAD FOR A LENGTH OF 4.83 [.190] MIN FROM OPPOSITE END, BOTH OVER 1.27um [.000050] MIN NICKEL.
- ⑤ .000150 MIN TIN OVER .000100 MIN CU, OR .000050 MIN NICKEL.
- ⑥ 0.76um [.000030] MIN GOLD FOR A LENGTH OF 5.08 [.200] FROM MATING END, 3.81um [.000150] MIN TIN FOR A LENGTH OF 4.83 [.190] MIN FROM OPPOSITE END, BOTH OVER 1.27um [.000050] MIN NICKEL.

RECOMMENDED PC BOARD LAYOUT

⑥	NO	1-207121-0
⑥	YES	207121-9
⑤	YES	207121-8
④	NO	207121-4
④	YES	207121-3
③	NO	207121-2
③	YES	207121-1
CONTACT FINISH		MOUNTING TABS
		PART NO.

THIS DRAWING IS A CONTROLLED DOCUMENT.

DIMENSIONS: INCHES	TOLERANCES UNLESS OTHERWISE SPECIFIED:	DIN L.SIPE 03/12/92	tyco Electronics Tyco Electronics Corporation Harrisburg, Pa
0 PLC ± -	1 PLC ± -	CHK R.STONE 3-17-92	NAME A. TRAVIS 3-17-92
2 PLC ± -	3 PLC ± 0.13 [.005]	APVD	PRODUCT SPEC 108-10033
4 PLC ± -	ANGLES ± -	APPLICATION SPEC	SIZE CASE CODE DRAWING NO
MATERIAL HOUSING: ①	FINISH CONTACT: SEE TABLE	WEIGHT -	A1 00779 207121
CUSTOMER DRAWING		SCALE 4:1	SHEET 1 OF 1 REV Y1