

Distributed by:

JAMECO[®]
ELECTRONICS

www.Jameco.com ♦ 1-800-831-4242

The content and copyrights of the attached
material are the property of its owner.

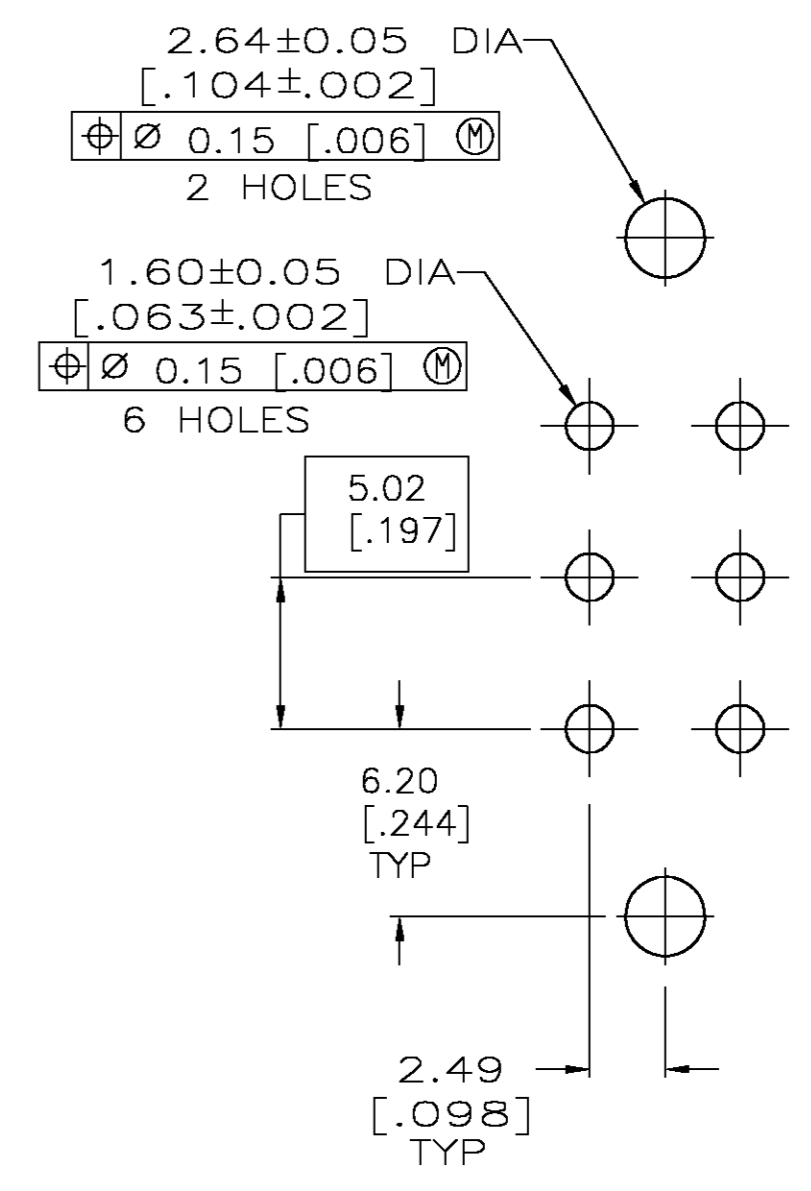
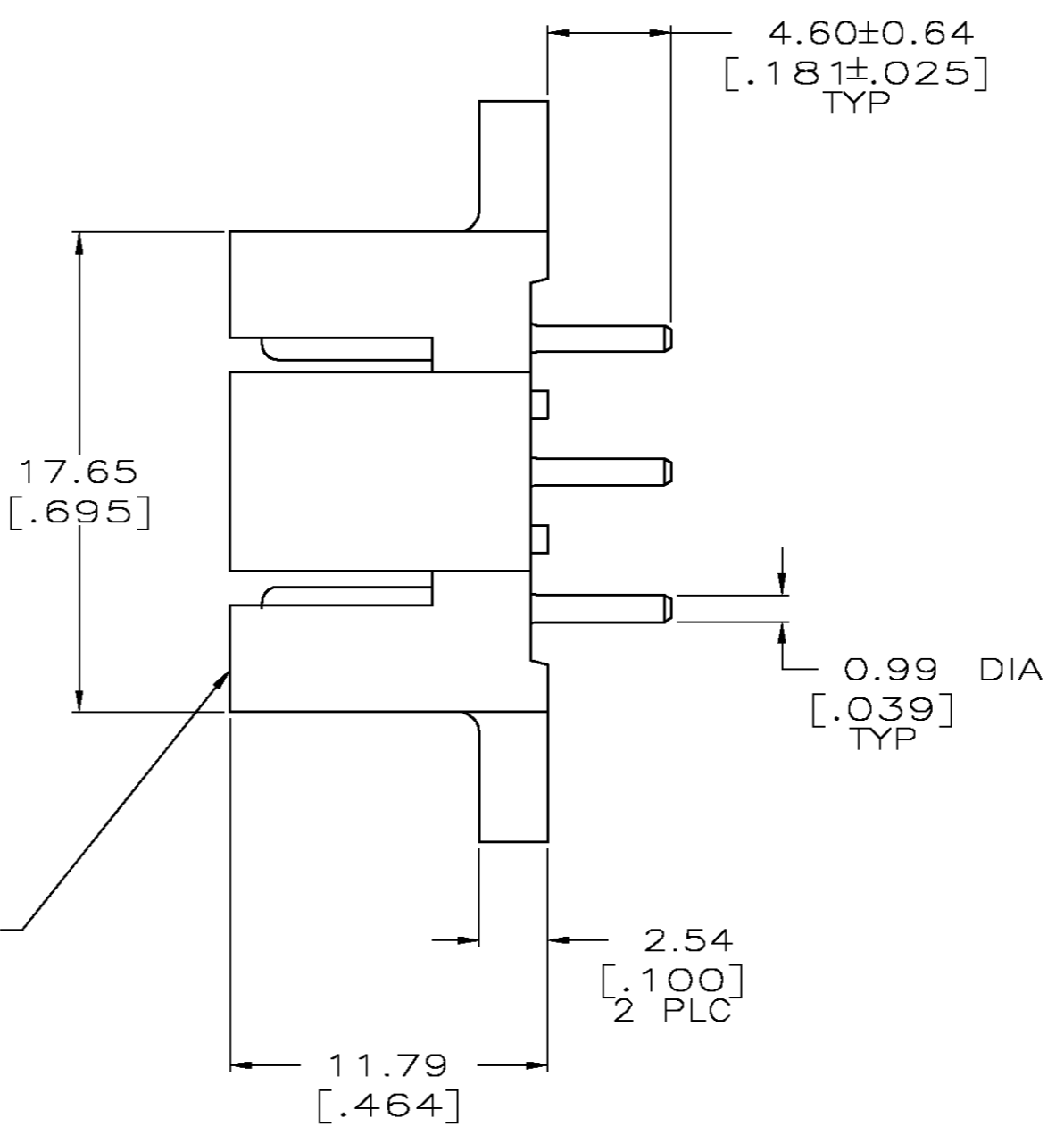
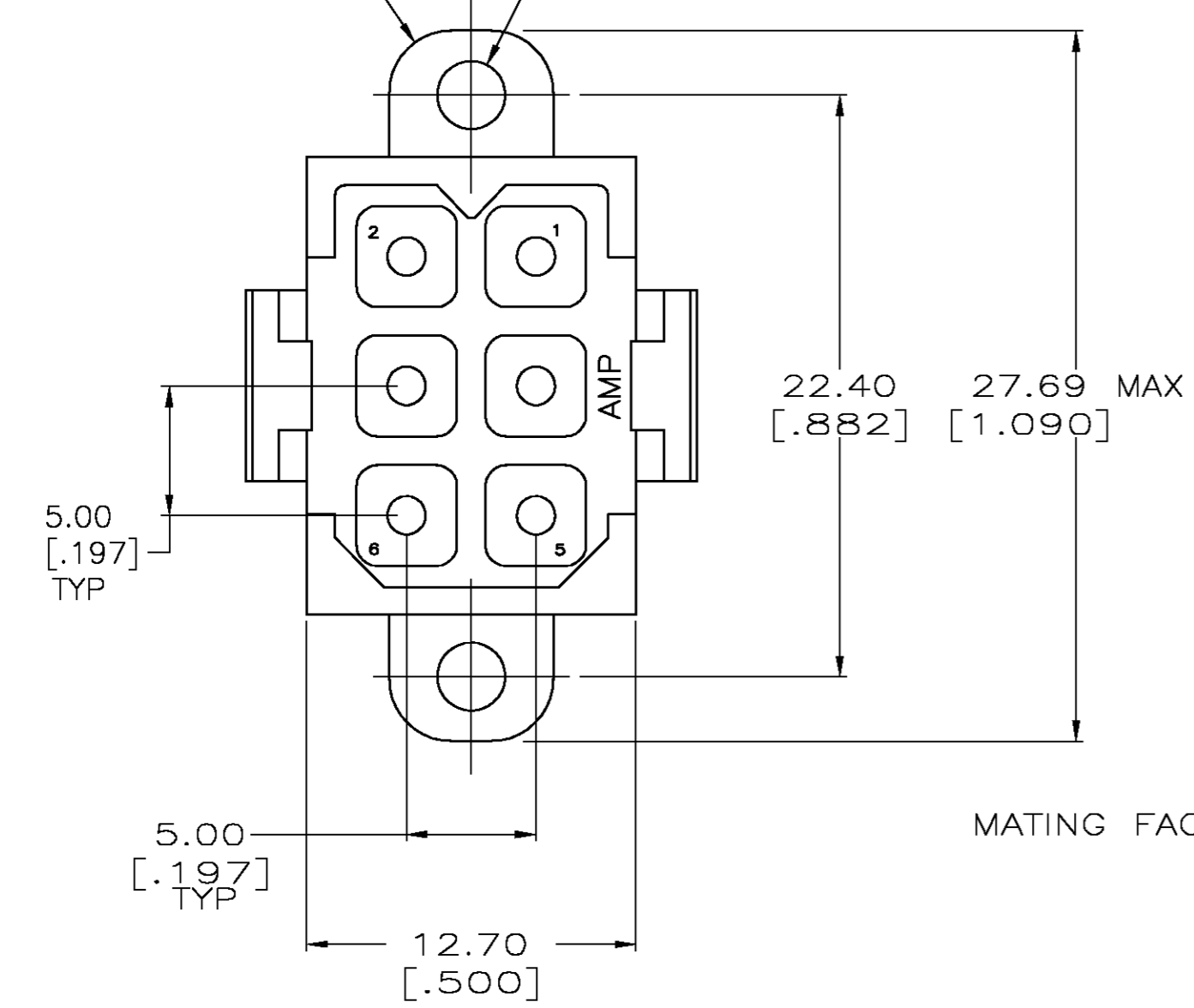
Jameco Part Number 744472

THIS DRAWING IS UNPUBLISHED. RELEASED FOR PUBLICATION
 © COPYRIGHT BY TYCO ELECTRONICS CORPORATION. ALL RIGHTS RESERVED.

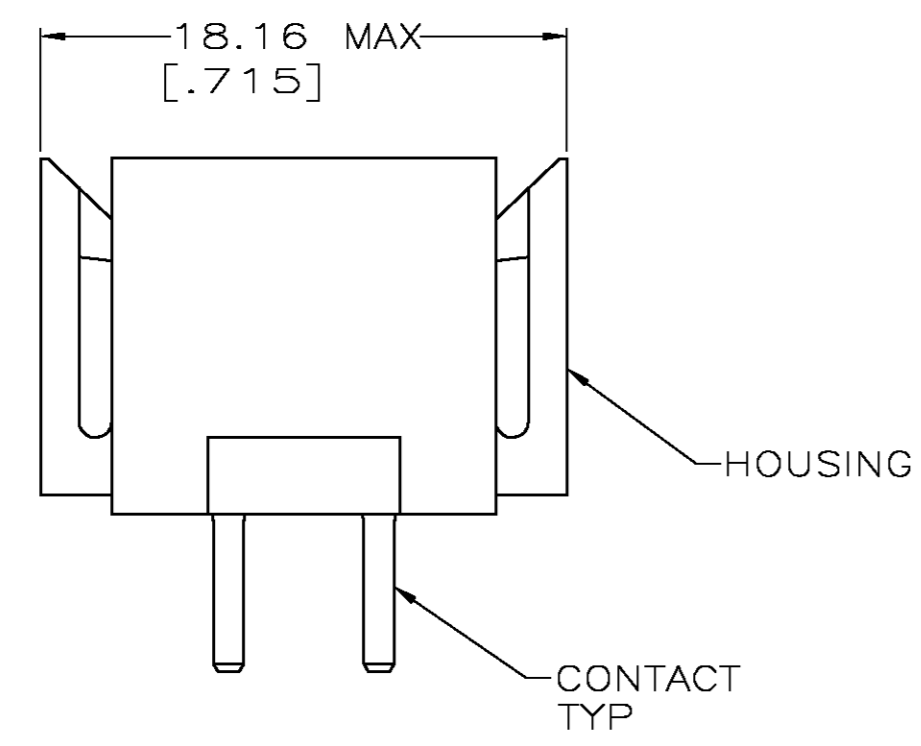
LOC	DIST	REVISIONS					
FT	0	P	LTR	DESCRIPTION	DATE	DWN	APVD
		U		REVISED PER 0G3B-0164-05	5/8/05	SS	GS

MOUNTING TAB
2 PLC
SEE TABLE

2.64±0.10 DIA
[.104±.004]
2 HOLES



RECOMMENDED PC BOARD LAYOUT



- ① NYLON, UL 94V-0 RATED, RED.
- ② BRASS PER ASTM B36.
- ③ 3.81um [.000150] MIN TIN OVER 2.54um [.000100] MIN COPPER.
- ④ 0.76um [.000030] MIN GOLD FOR A LENGTH OF 5.08 [.200] FROM MATING END, 3.81um [.000150] MIN TIN FOR A LENGTH OF 4.83 [.190] MIN FROM OPPOSITE END, BOTH OVER 1.27um [.000050] MIN NICKEL.
- ⑤ .000150 MIN TIN OVER .000100 MIN CU, OR .000050 MIN NICKEL.

- ⑥ 0.76um [.000030] MIN GOLD FOR A LENGTH OF 5.08 [.200] FROM MATING END, 3.81um [.000150] MIN TIN FOR A LENGTH OF 4.83 [.190] MIN FROM OPPOSITE END, BOTH OVER 1.27um [.000050] MIN NICKEL.

CONTACT FINISH	MOUNTING TABS	PART NO
⑥	NO	1-207158-1
⑥	YES	1-207158-0
⑤	NO	207158-8
⑤	YES	207158-7
④	NO	207158-4
④	YES	207158-3
③	NO	207158-2
③	YES	207158-1

THIS DRAWING IS A CONTROLLED DOCUMENT.

DIMENSIONS: mm [INCHES]	TOLERANCES UNLESS OTHERWISE SPECIFIED: 0 PLC ± - 1 PLC ± - 2 PLC ± 0.25 [.010] 3 PLC ± - 4 PLC ± - ANGLES ± -	DWN L.SIPE 03/10/92 CHK R.STONE 3-17-92 APVD A.TRAVIS 3-17-92 PRODUCT SPEC 108-10033 APPLICATION SPEC -	Tyco Electronics Corporation Harrisburg, Pa 17105-3608
MATERIAL HOUSING: 1	FINISH CONTACT: SEE TABLE	WEIGHT -	NAME: PIN HEADER ASSEMBLY, 6 POSITION, METRIMATE SIZE: A2 CAGE CODE: 00779 DRAWING NO: C=207158 RESTRICTED TO: - SCALE: 4:1 SHEET 1 OF 1 REV U

CUSTOMER DRAWING