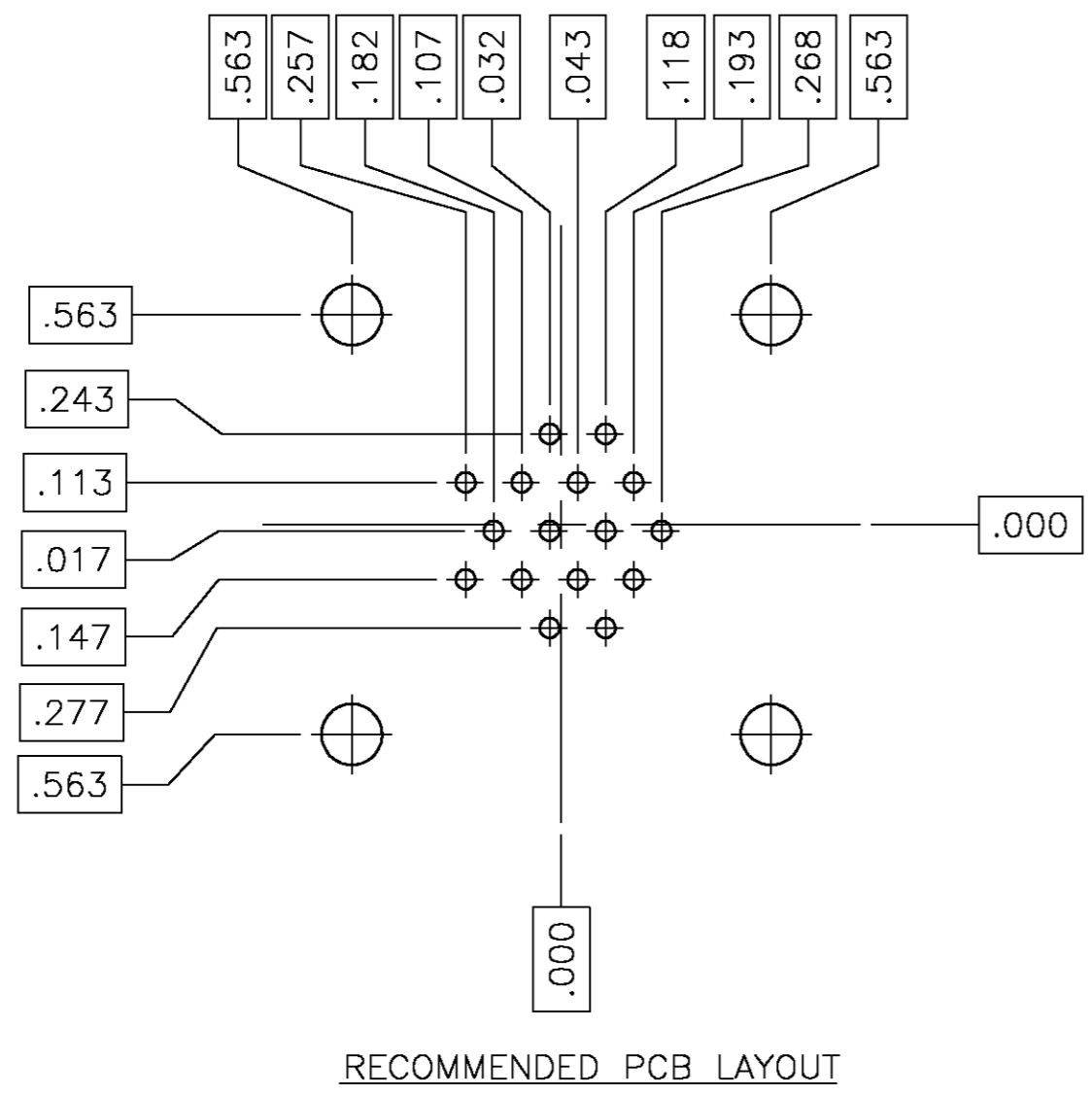
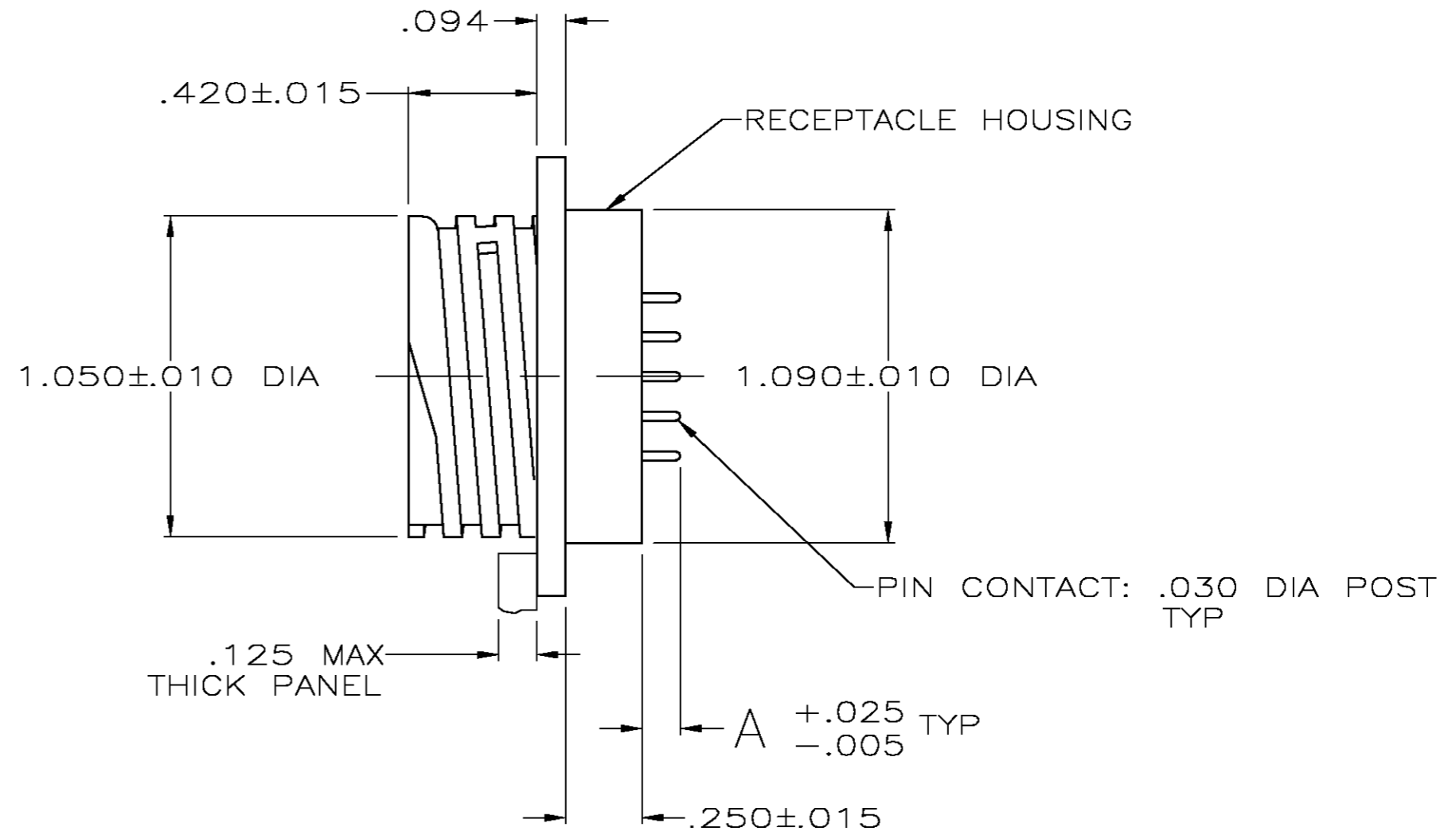
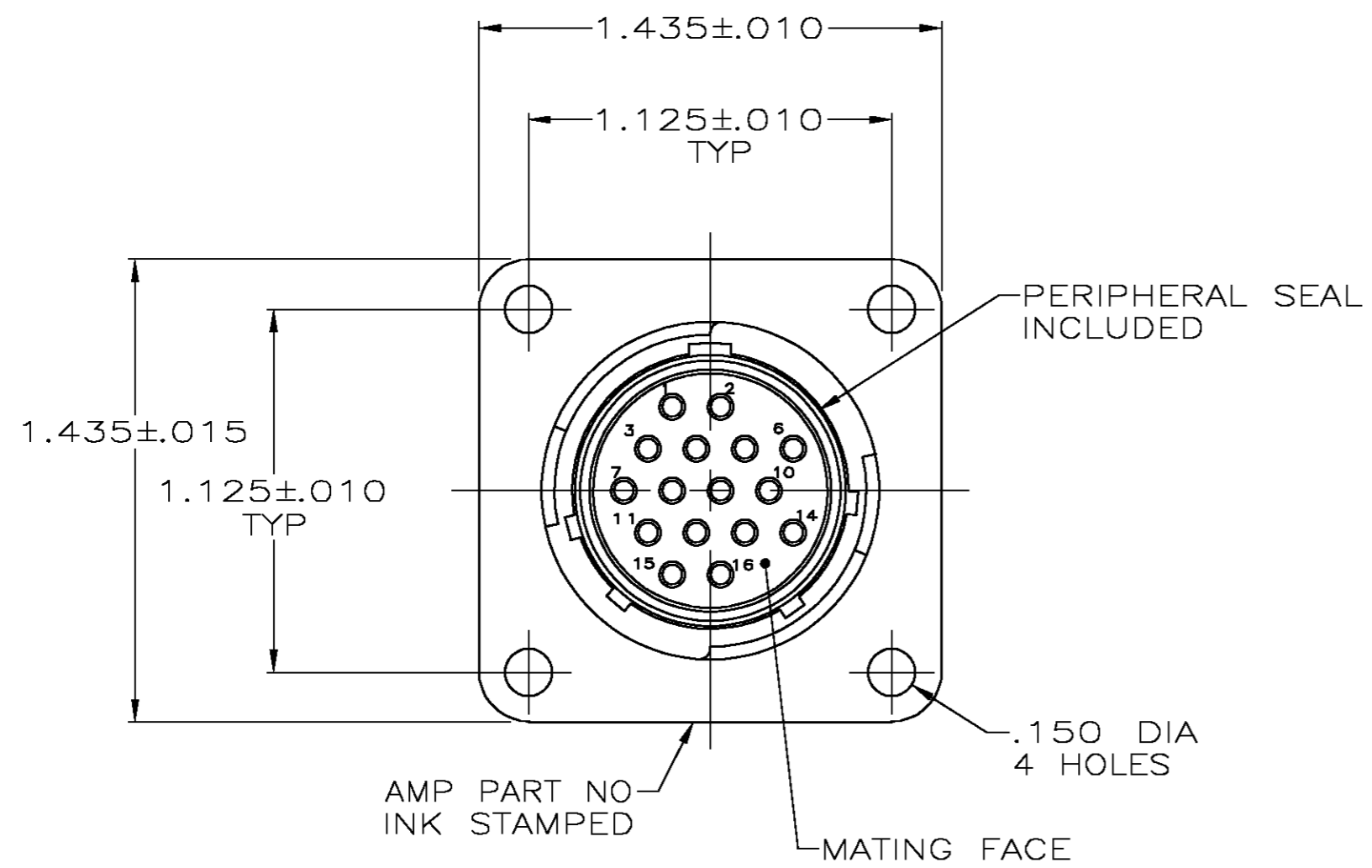


THIS DRAWING IS UNPUBLISHED. RELEASED FOR PUBLICATION
 © COPYRIGHT BY TYCO ELECTRONICS CORPORATION. ALL RIGHTS RESERVED.

LOC		DIST		REVISIONS			
P	LTR	DESCRIPTION	DATE	DWN	APVD		
FT	0						
F		REVISED PER 0G3B-0147-03	5/23/03	SS	SH		



PRELIMINARY	SIZE	FINISH	PART NUMBER
	.175	4	207292-4
	.175	3	207292-3
	.125	4	207292-2
	.125	3	207292-1
A	FINISH	PART NUMBER	

- 1 NYLON, UL 94V-0 RATED, BLACK.
- 2 BRASS.
- 3 .000100 MIN TIN PER MIL-T-10727 OVER NICKEL FLASH PER QQ-N-290.
- 4 .000030 MIN GOLD PER MIL-G-45204 OVER .000030 MIN NICKEL PER QQ-N-290.

THIS DRAWING IS A CONTROLLED DOCUMENT.

DWN J GALLUCCI BG 5-22-91
 CHK R.STONE 3-4-92

Tyco Electronics Corporation
 Harrisburg, PA 17105

POSTED RECEPTACLE ASSEMBLY, STD SEX, SERIES 1, 17-16, CPC

SIZE A2 CAGE CODE 00779 DRAWING NO C=207292 RESTRICTED TO

MATERIAL RECEPT HOUSING: 1 PIN CONTACT: 3
 FINISH PIN CONTACT: SEE TABLE

WEIGHT -

CUSTOMER DRAWING SCALE 2:1 SHEET 1 OF 1 REV F