

Distributed by:

JAMECO[®]
ELECTRONICS

www.Jameco.com ♦ 1-800-831-4242

The content and copyrights of the attached
material are the property of its owner.

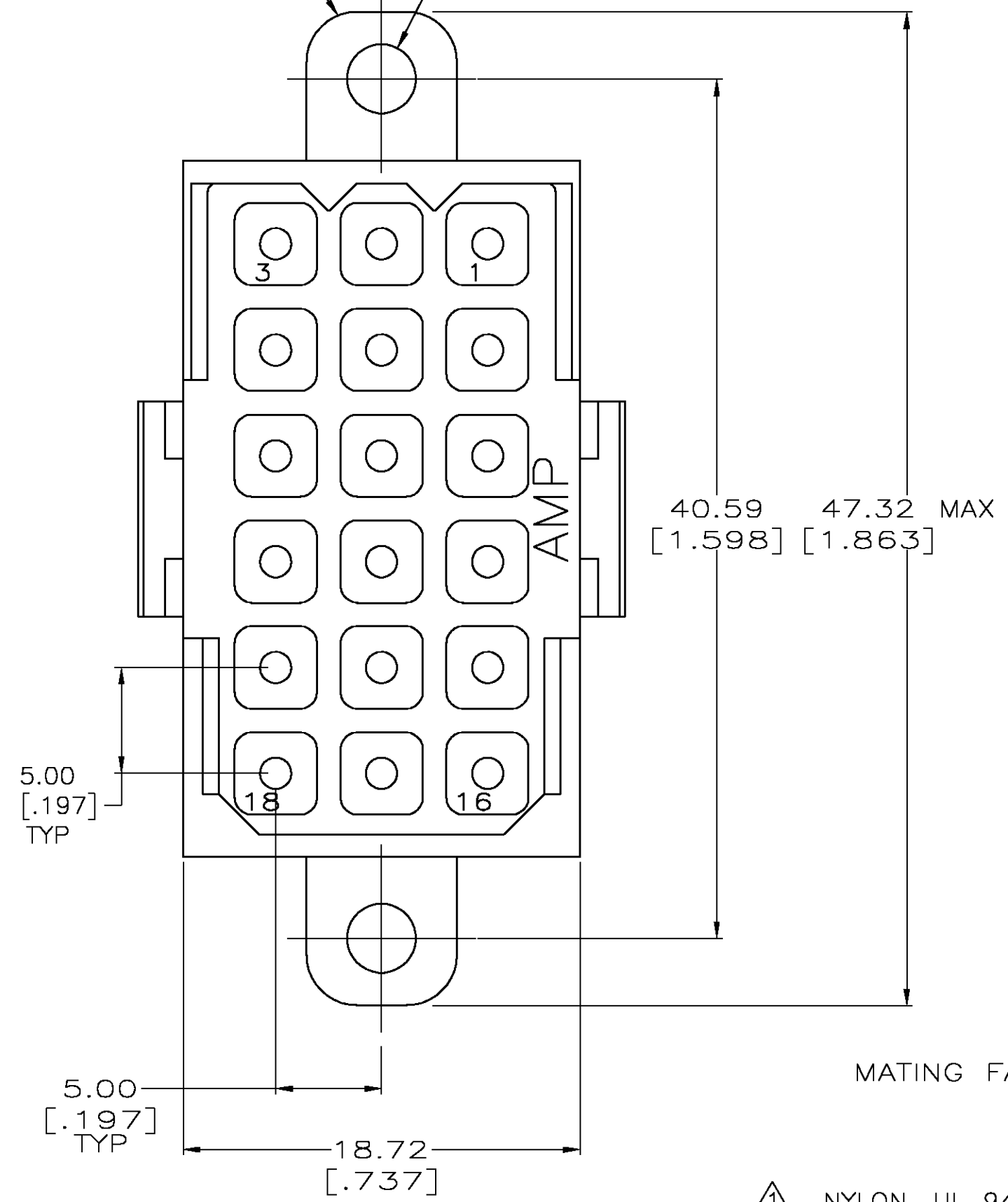
Jameco Part Number 918516

THIS DRAWING IS UNPUBLISHED. RELEASED FOR PUBLICATION
 © COPYRIGHT BY TYCO ELECTRONICS CORPORATION. ALL RIGHTS RESERVED.

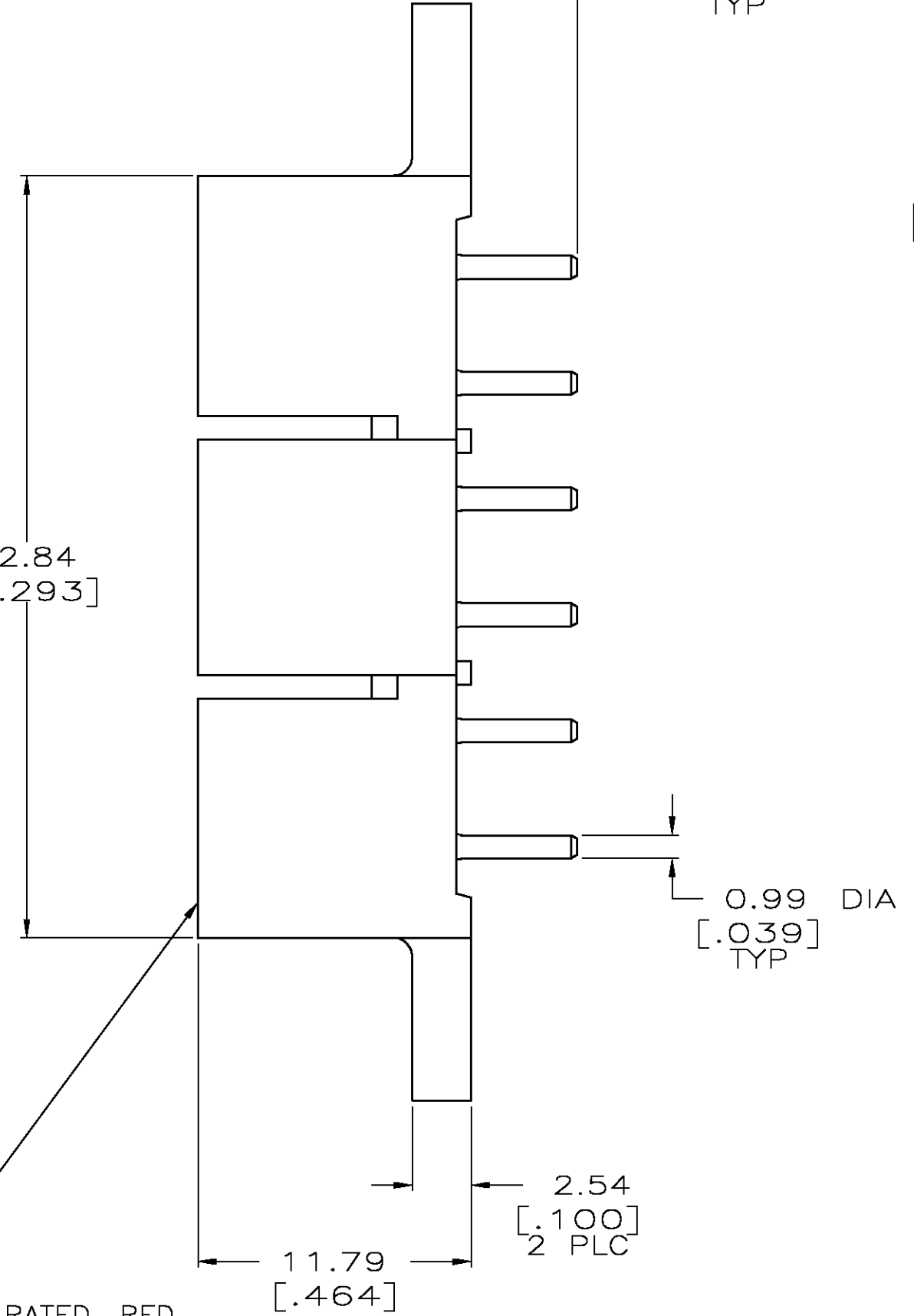
LOC	DIST	REVISIONS					
FT	0	P	LTR	DESCRIPTION	DATE	DWN	APVD
		L		REVISED PER 0G3B-0164-05	3/8/05	SS	GS

MOUNTING TAB
2 PLC
SEE TABLE

3.30±0.10 DIA
[.130±.004]
2 HOLES

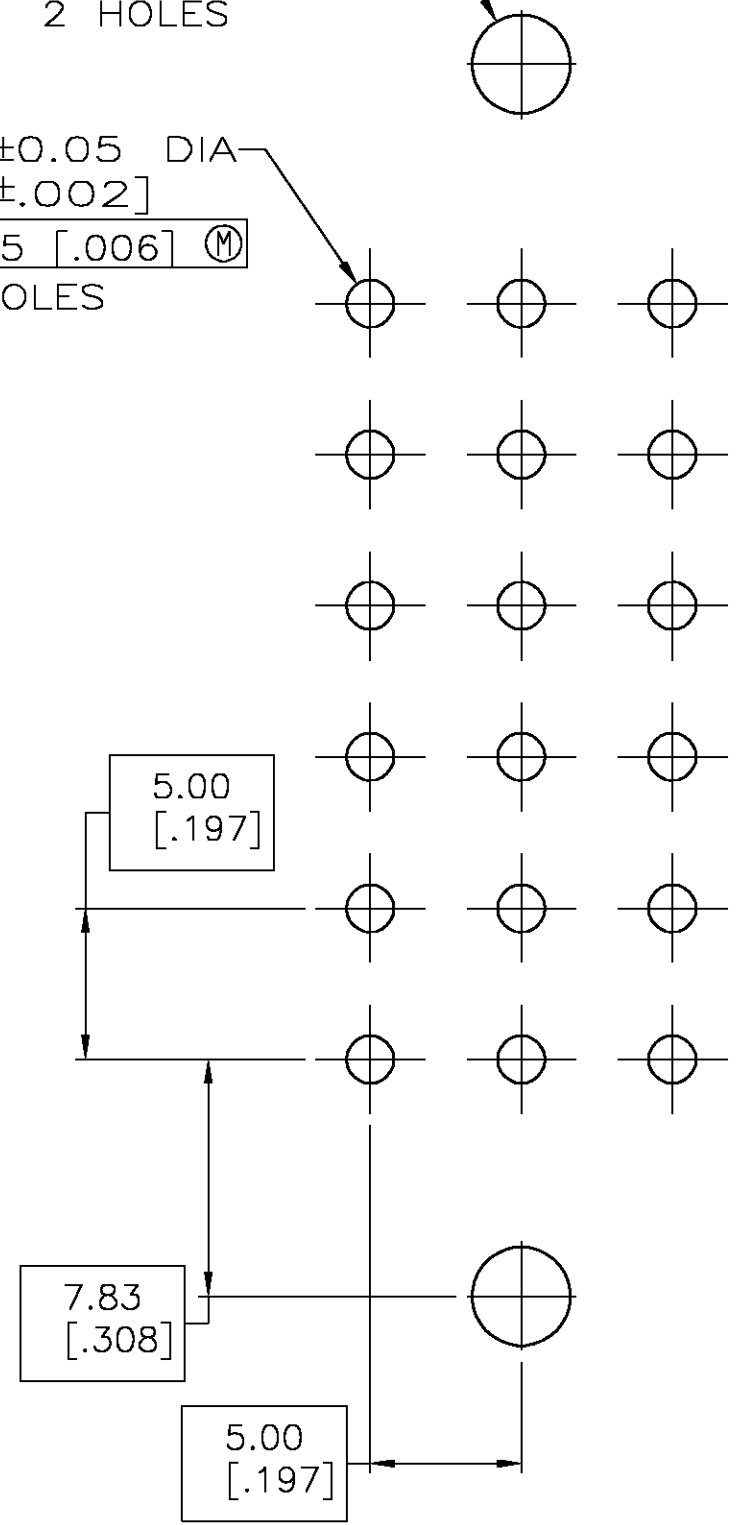


4.60±0.64
[.181±.025]
TYP



3.30±0.05 DIA
[.130±.002]
⊕ Ø 0.15 [.006] (M)
2 HOLES

1.60±0.05 DIA
[.063±.002]
⊕ Ø 0.15 [.006] (M)
18 HOLES



5.00 [.197] TYP

18.72 [.737]

MATING FACE

0.99 DIA
[.039] TYP

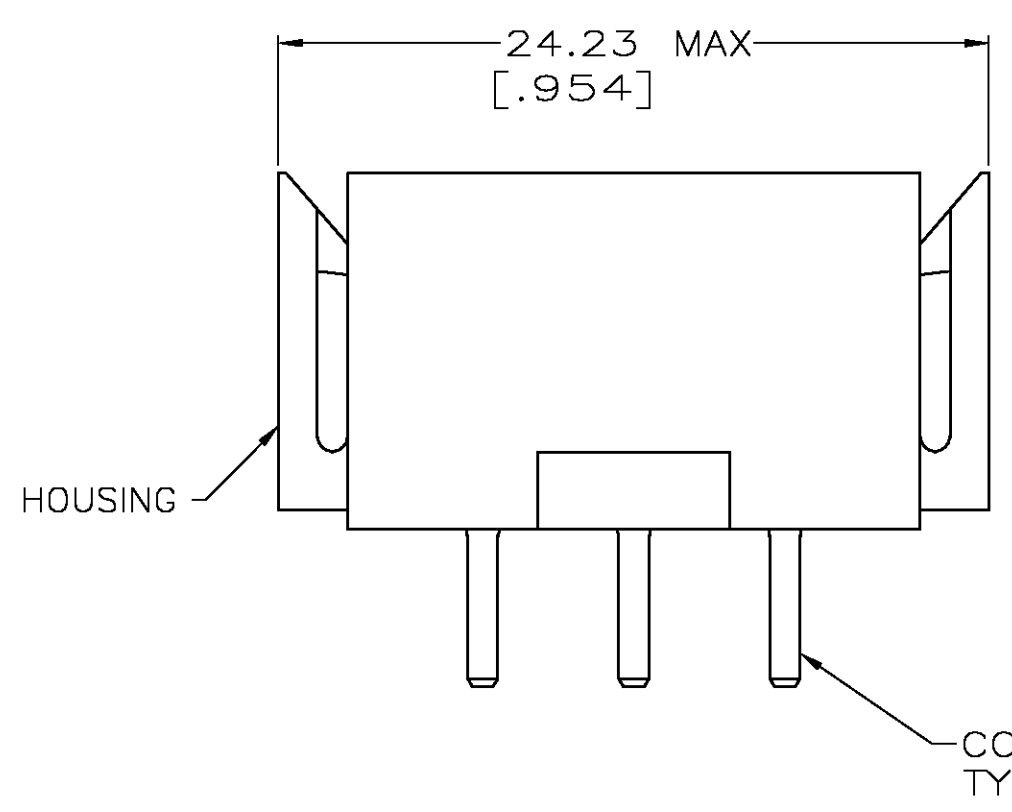
2.54 [.100] 2 PLC

11.79 [.464]

- ① NYLON, UL 94V-0 RATED, RED.
- ② BRASS PER ASTM B36.
- ③ 3.81µm [.000150] MIN TIN OVER 2.54µm [.000100] MIN COPPER.
- ④ 0.76µm [.000030] MIN GOLD FOR A LENGTH OF 5.08 [.200] FROM MATING END, 3.81µm [.000150] MIN TIN-LEAD FOR A LENGTH OF 4.83 [.190] MIN FROM OPPOSITE END, BOTH OVER 1.27µm [.000050] MIN NICKEL.
- ⑤ 0.76µm [.000030] MIN GOLD FOR A LENGTH OF 5.08 [.200] FROM MATING END, 3.81µm [.000150] MIN LEAD FREE TIN FOR A LENGTH OF 4.83 [.190] MIN FROM OPPOSITE END, BOTH OVER 1.27µm [.000050] MIN NICKEL.
- ⑥ 3.81µm [.000150] MIN LEAD FREE TIN OVER 2.54µm [.000100] MIN COPPER.

RECOMMENDED PC BOARD LAYOUT

REV	DESCRIPTION	PART NUMBER
5	NO	1-207444-1
6	NO	1-207444-0
6	YES	207444-9
5	YES	207444-8
4	NO	207444-4
4	YES	207444-3
3	NO	207444-2
3	YES	207444-1



THIS DRAWING IS A CONTROLLED DOCUMENT.

DIMENSIONS: mm [INCHES]	TOLERANCES UNLESS OTHERWISE SPECIFIED:	DWN L.SIPE 03/11/92	Tyco Electronics Corporation Harrisburg, Pa 17105-3608														
<table border="1"> <tr><td>0 PLC</td><td>± -</td></tr> <tr><td>1 PLC</td><td>± -</td></tr> <tr><td>2 PLC</td><td>± 0.25 [.010]</td></tr> <tr><td>3 PLC</td><td>± -</td></tr> <tr><td>4 PLC</td><td>± -</td></tr> </table>	0 PLC	± -		1 PLC	± -	2 PLC	± 0.25 [.010]	3 PLC	± -	4 PLC	± -	<table border="1"> <tr><td>FINISH</td><td>± -</td></tr> <tr><td>ANGLES</td><td>± -</td></tr> </table>	FINISH	± -	ANGLES	± -	CHK R.STONE 3-17-92 APVD A.TRAVIS 3-17-92 PRODUCT SPEC 108-10033 APPLICATION SPEC
0 PLC	± -																
1 PLC	± -																
2 PLC	± 0.25 [.010]																
3 PLC	± -																
4 PLC	± -																
FINISH	± -																
ANGLES	± -																
MATERIAL HOUSING: 1	CONTACT: SEE TABLE	WEIGHT -	SIZE A2 CAGE CODE 00779 DRAWING NO C=207444 RESTRICTED TO - SCALE 4:1 SHEET 1 OF 1 REV L														

CUSTOMER DRAWING