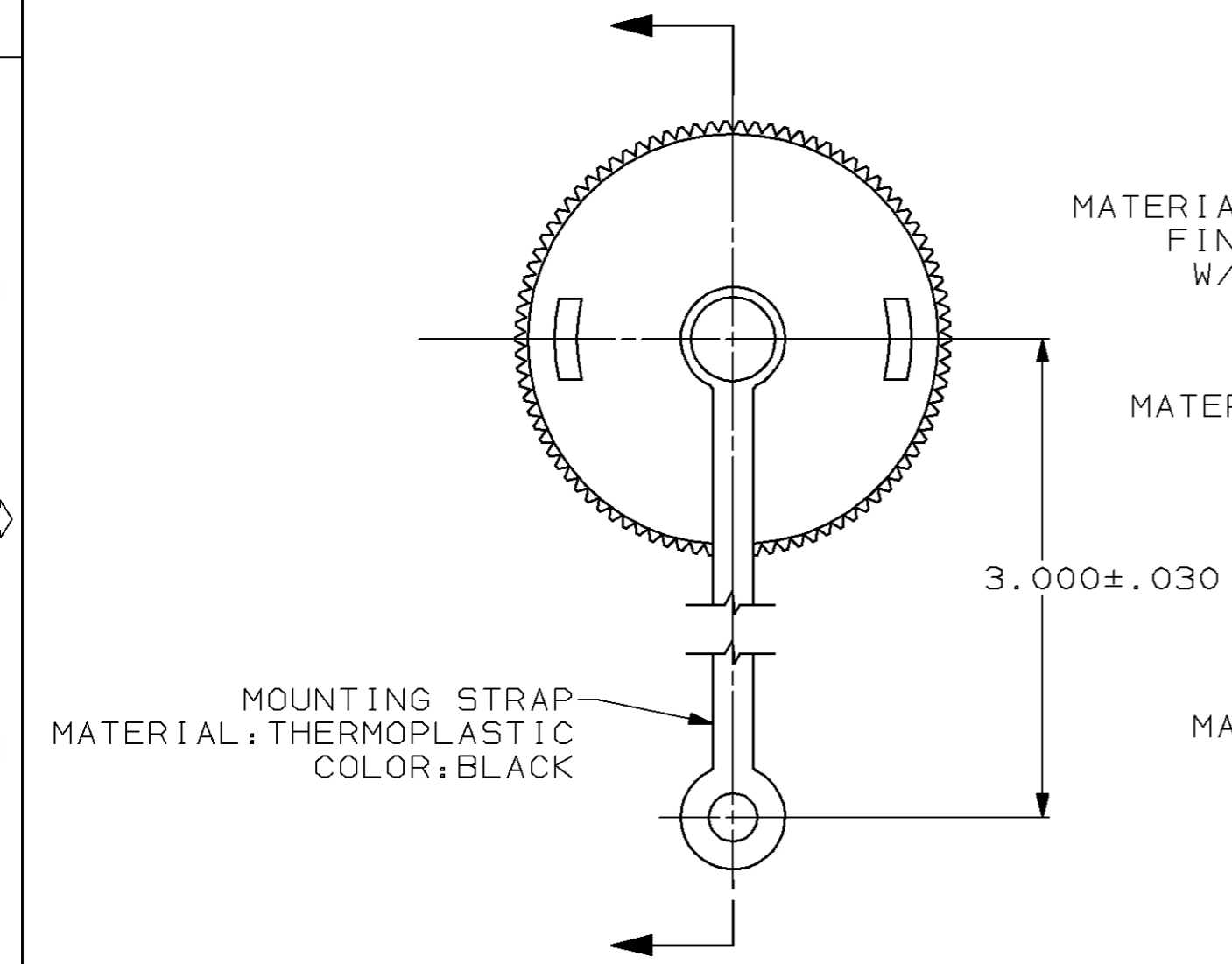


THIS DRAWING IS UNPUBLISHED. RELEASED FOR PUBLICATION, 19 .
 © COPYRIGHT 19 BY AMP INCORPORATED. ALL INTERNATIONAL RIGHTS RESERVED.

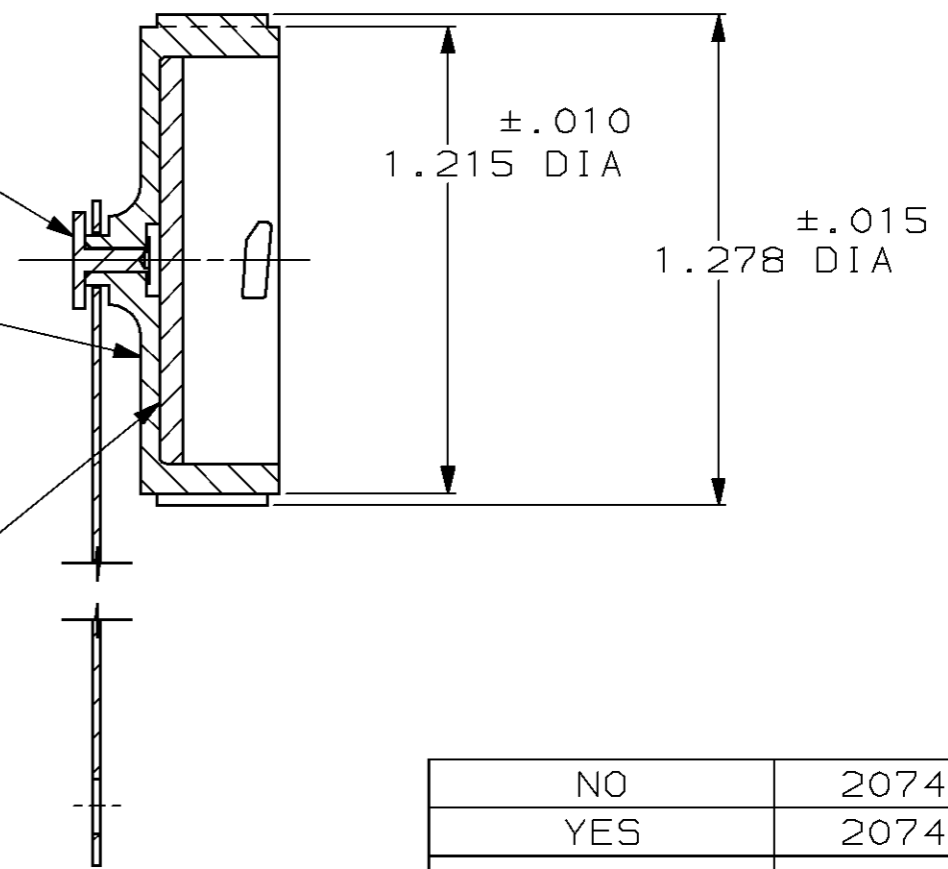
LOC	DIST	P	F	ZONE	LTR	DESCRIPTION	DATE	APPD
FT	4				B	REDRAWN	7/30/90	KB
					C	REV PER ECN BD5806	01/16/92	KB
					D	REV PER EC 0020-680-93	06/10/93	AF
					E	ADDED -2 PER EC 0G1C-6-98	17 FEB 98	KD



RIVET
MATERIAL: CARBON STEEL
FINISH: ZINC PLATE
W/CLEAR CHROMATE

SEALING CAP
MATERIAL: THERMOPLASTIC
COLOR: BLACK

SEALING GASKET
MATERIAL: NEOPRENE
RUBBER
SEE TABLE



NO	207445-2
YES	207445-1
SEALING GASKET	PART NUMBER

DO NOT SCALE PRINT, UNLESS SPECIFIED. DIMENSIONS IN INCHES. TOLERANCES ON: 2 PLC DEC ± - 3 PLC DEC ± .005 ANGLES ± -	DR 7/30/90 S. RIDGLEY BG	AMP AMP Incorporated Harrisburg, PA 17105-3608		
	CHK 4-26-91 R. STONE			
	MATERIAL SEE CALLOUTS	APPD 4-30-91 K. BEAVER	NAME SEALING CAP ASSY, SIZE 17, CPC	
	FINISH SEE CALLOUTS	APPD 5-1-91 J. FULPONI	SIZE B	CAGE CODE 00779
	PRODUCT SPEC -	SCALE 2:1		SHEET 1 OF 1
	APPLICATION SPEC -			
	WEIGHT -			