

Distributed by:

JAMECO[®]
ELECTRONICS

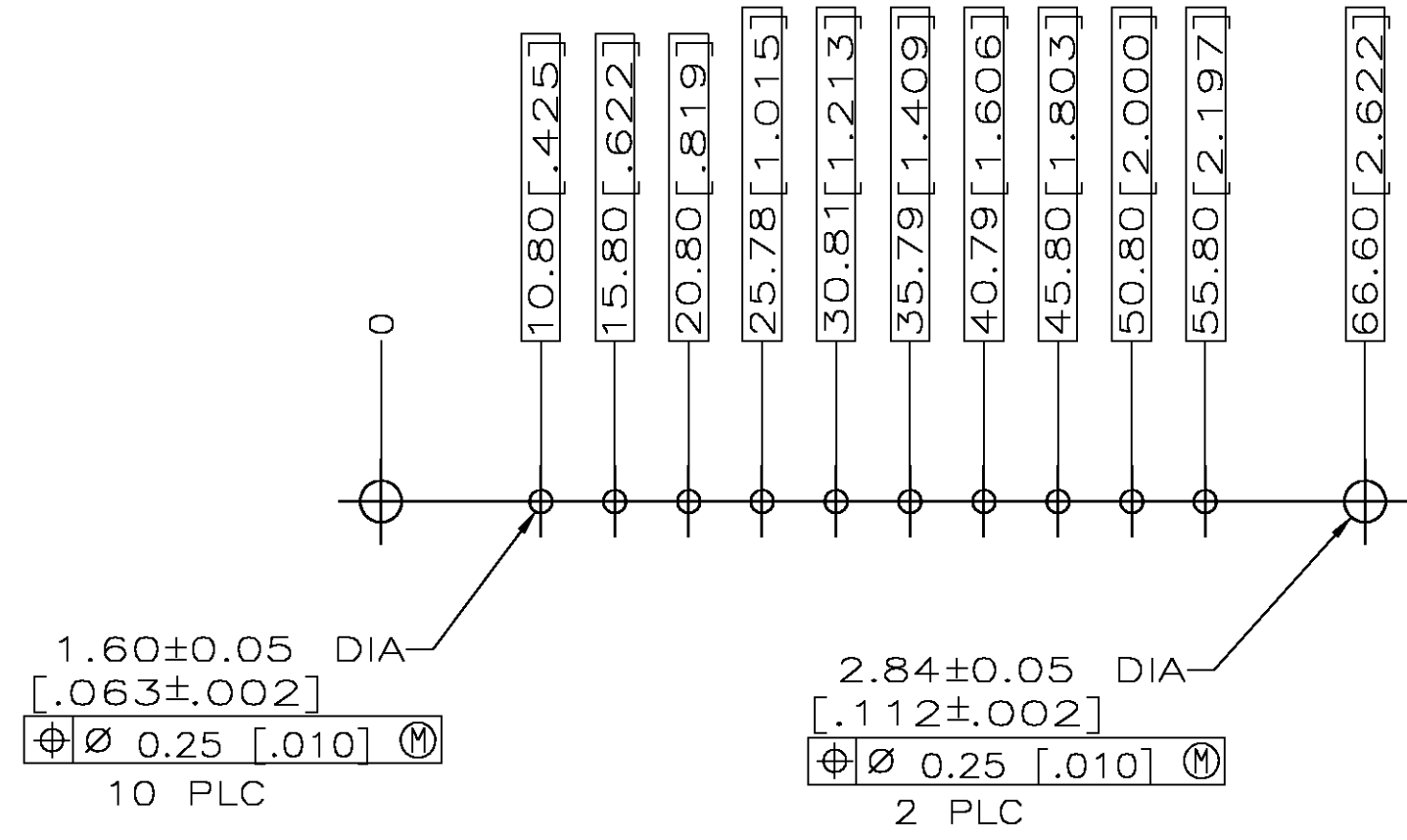
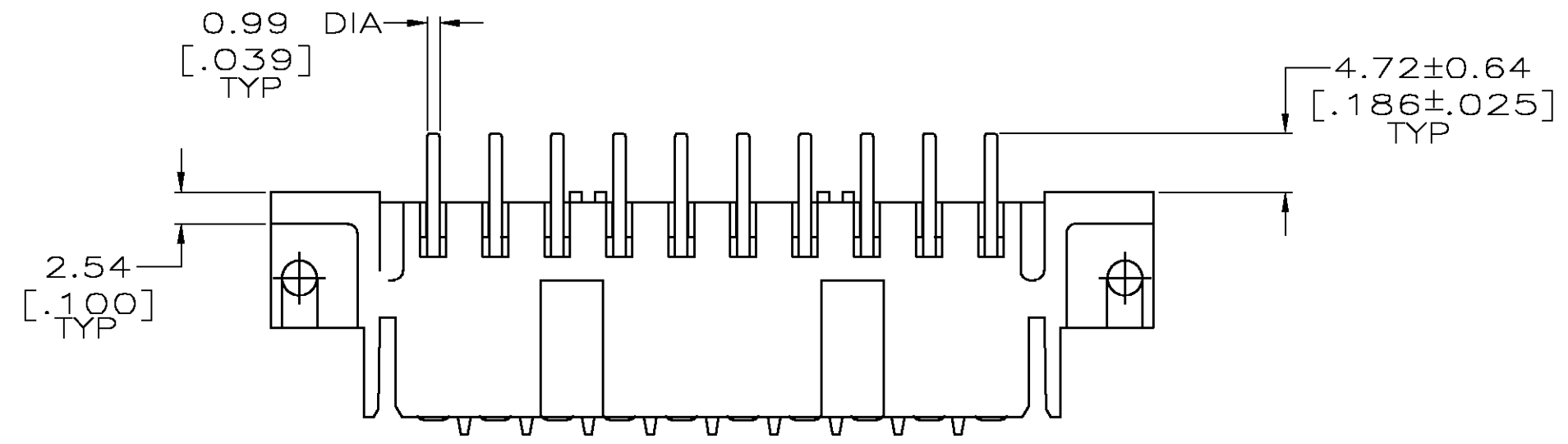
www.Jameco.com ♦ 1-800-831-4242

The content and copyrights of the attached
material are the property of its owner.

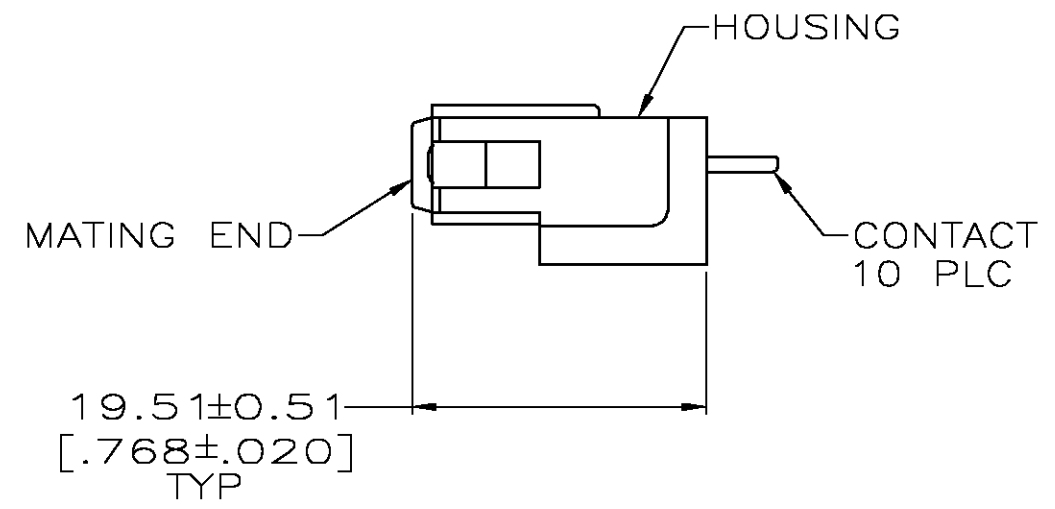
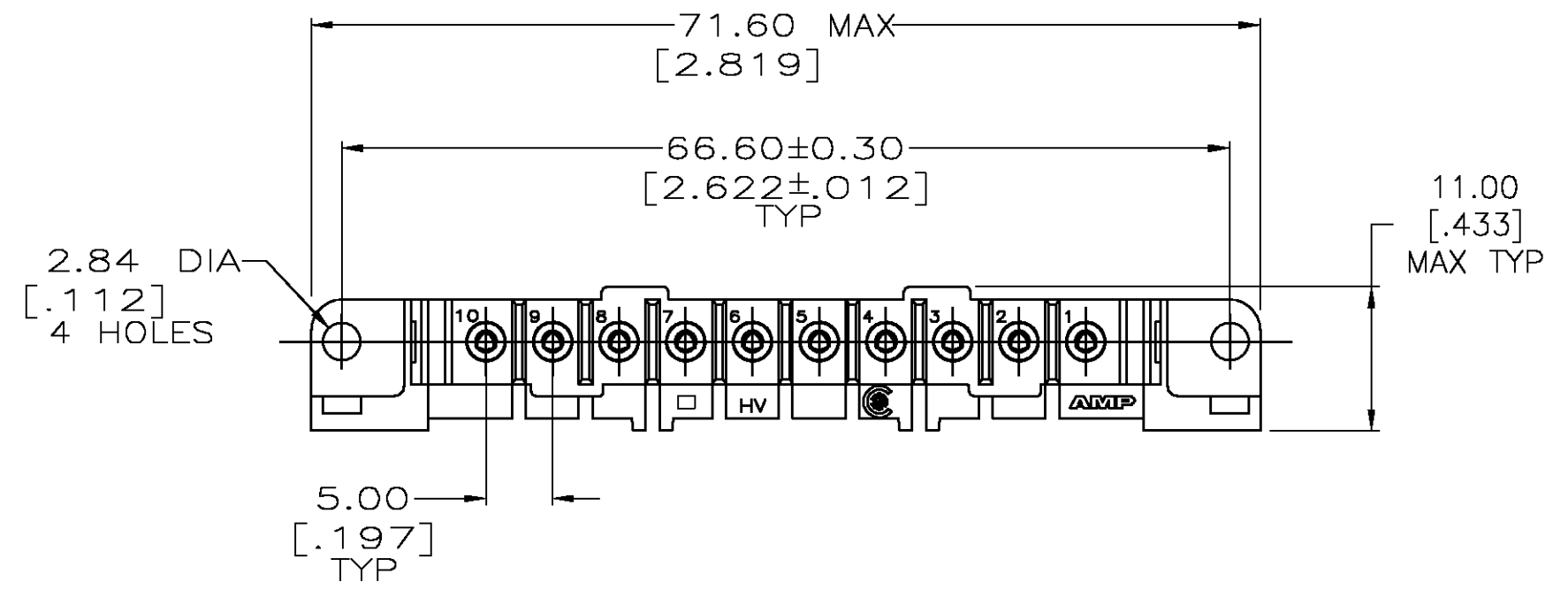
Jameco Part Number 919199

THIS DRAWING IS UNPUBLISHED. RELEASED FOR PUBLICATION
 © COPYRIGHT BY TYCO ELECTRONICS CORPORATION. ALL RIGHTS RESERVED.

LOC		DIST		REVISIONS			
P	LTR	DESCRIPTION	DATE	DWN	APVD		
FT	0	H	REVISED PER 0G3B-0179-05	4/21/05	SS	GS	



RECOMMENDED PC BOARD LAYOUT



- HOUSING MATERIAL: NYLON, RED.
- CONTACT MATERIAL: PHOSPHOR BRONZE.
- 3.81um [.000150] MIN TIN-LEAD OVER 1.27um [.000050] MIN NICKEL.
- 0.76um [.000030] MIN GOLD FOR A LENGTH OF 5.08 [.200] MIN FROM MATING END, 3.81um [.000150] MIN TIN-LEAD FOR A LENGTH OF 5.36 [.211] MIN FROM OPPOSITE END, BOTH OVER 1.27um [.000050] MIN NICKEL.
- 3.81um [.000150] MIN TIN OVER 1.27um [.000050] MIN NICKEL.
- 0.76um [.000030] MIN GOLD FOR A LENGTH OF 5.08 [.200] MIN FROM MATING END, 3.81um [.000150] MIN TIN FOR A LENGTH OF 5.36 [.211] MIN FROM OPPOSITE END, BOTH OVER 1.27um [.000050] MIN NICKEL.

CONTACT FINISH	PART NUMBER
6	207613-7
5	207613-6
4	207613-3
3	207613-1

THIS DRAWING IS A CONTROLLED DOCUMENT.		DWN L.SIPE 08/07/92	Tyco Electronics Corporation Harrisburg, Pa 17105-3608	
DIMENSIONS: mm [INCHES]		CHK R.STONE 8-25-92	NAME	
TOLERANCES UNLESS OTHERWISE SPECIFIED:		APVD	PRODUCT SPEC	
0 PLC ± -		APPLICATION SPEC		
1 PLC ± -		WEIGHT		
2 PLC ± 0.25 [.010]		SIZE A2 CAGE CODE 00779 DRAWING NO C=207613 RESTRICTED TO		
3 PLC ± -		SCALE 2:1 SHEET 1 OF 1 REV H		
4 PLC ± -		CUSTOMER DRAWING		
ANGLES ± -				
FINISH				

207613