

Distributed by:

**JAMECO**<sup>®</sup>  
ELECTRONICS

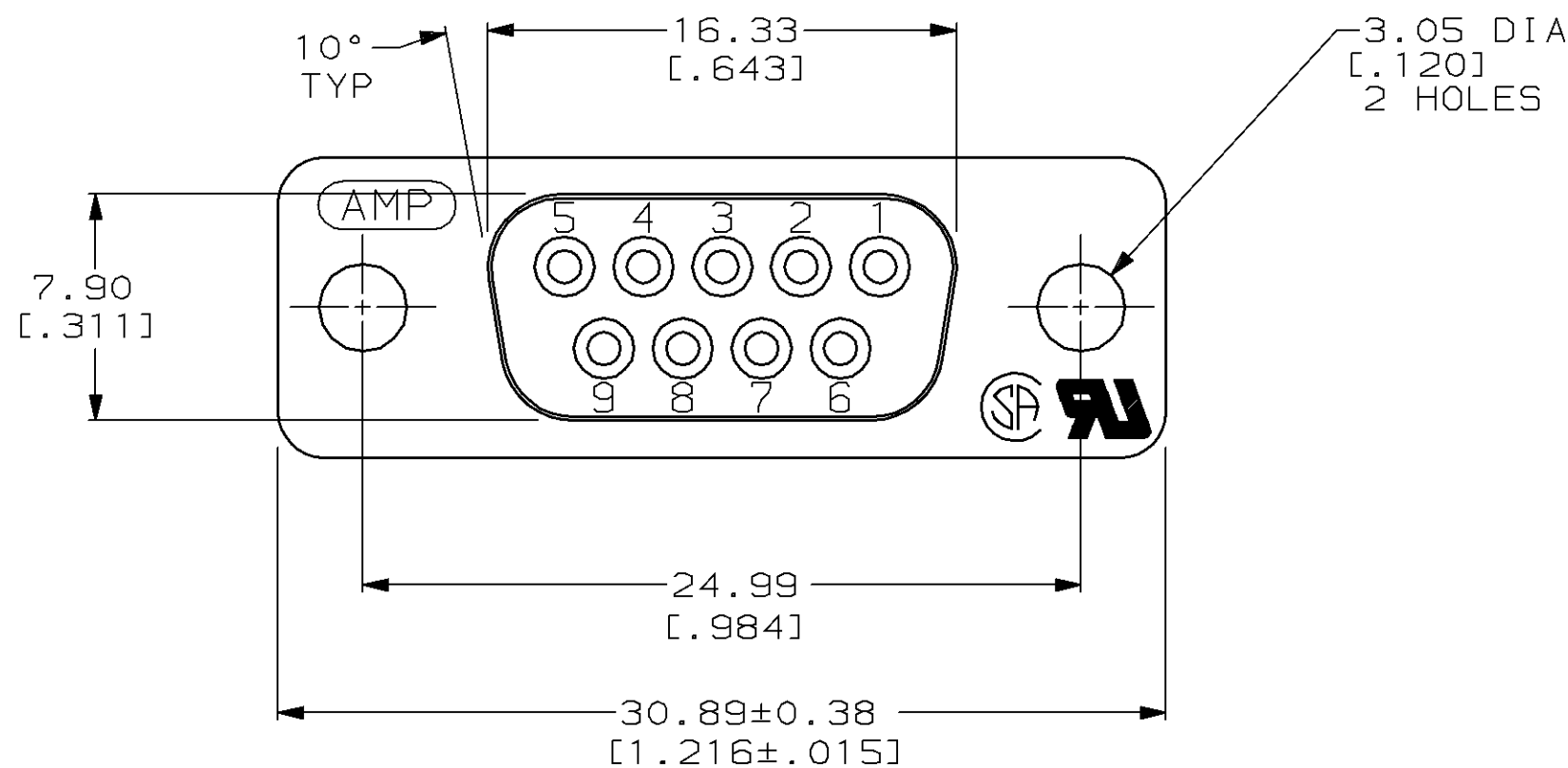
**www.Jameco.com ♦ 1-800-831-4242**

The content and copyrights of the attached  
material are the property of its owner.

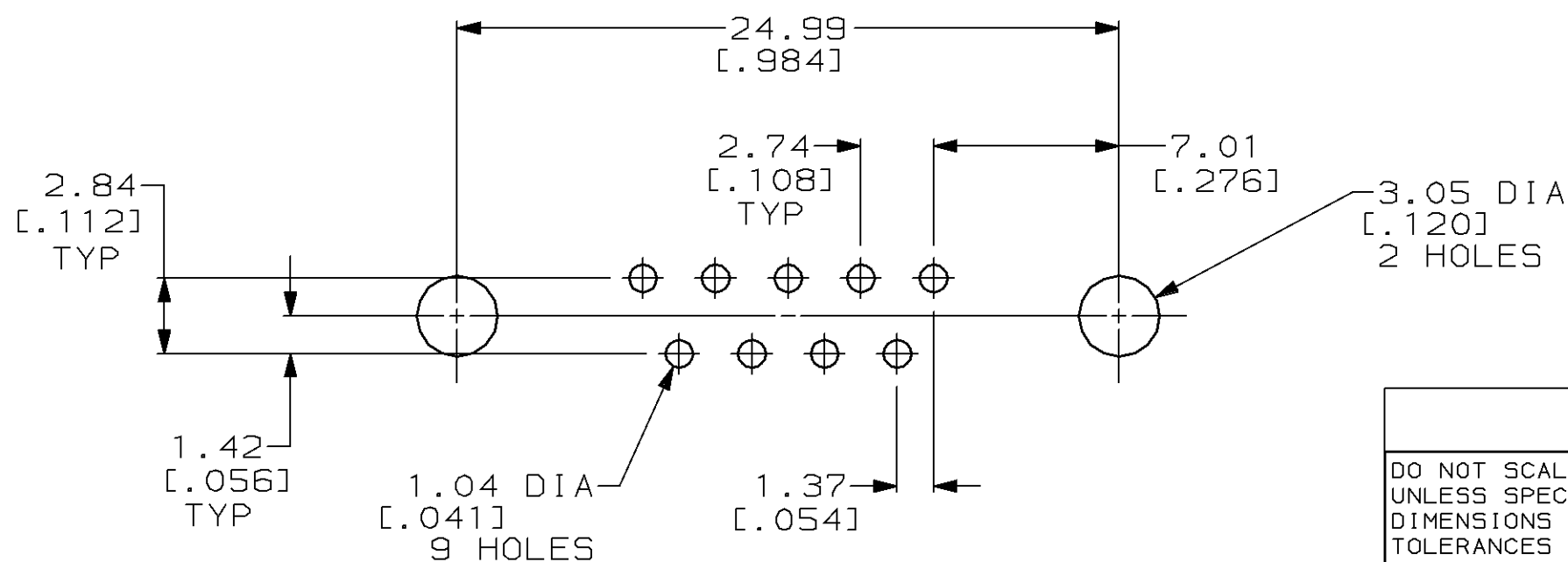
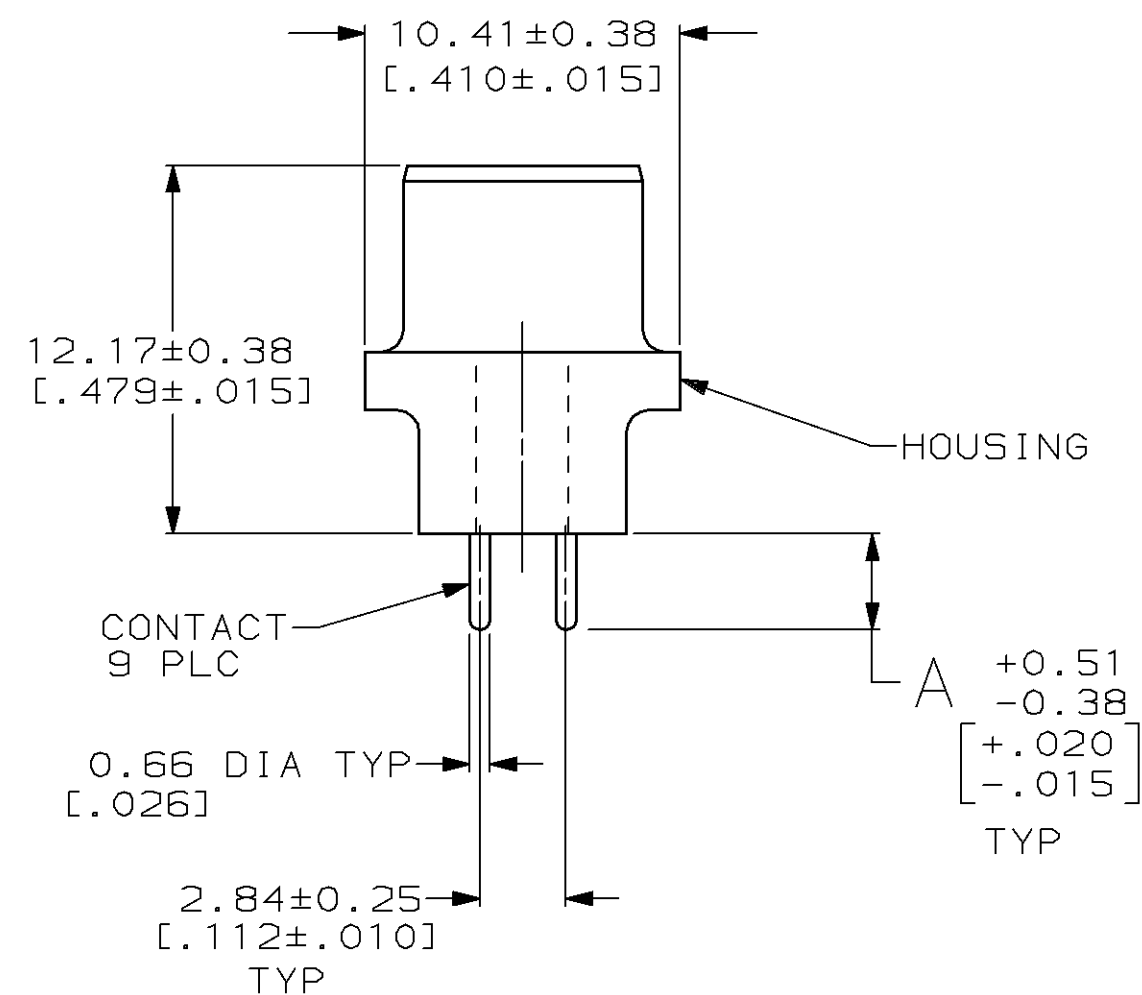
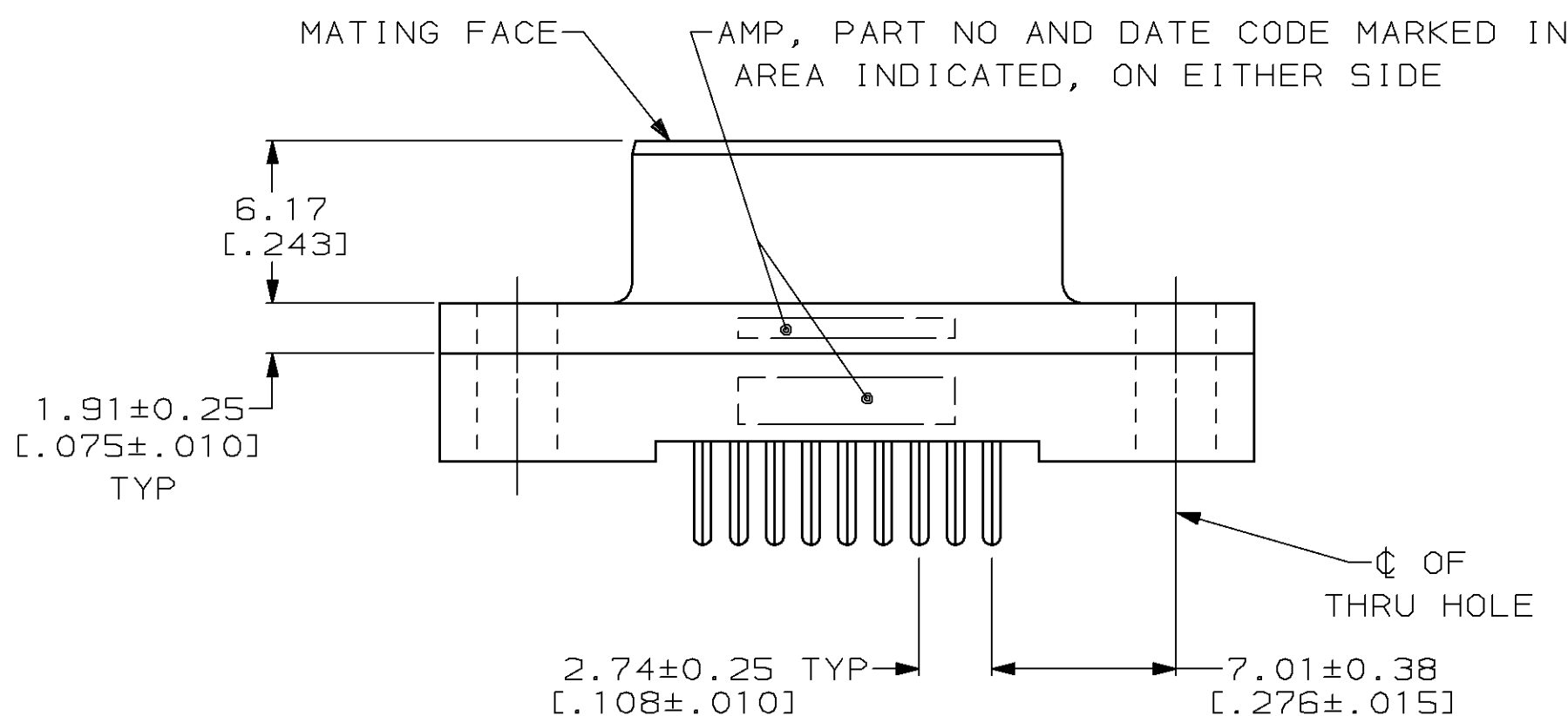
Jameco Part Number 839105

THIS DRAWING IS UNPUBLISHED. RELEASED FOR PUBLICATION, 19 .  
 © COPYRIGHT 19 BY AMP INCORPORATED. ALL INTERNATIONAL RIGHTS RESERVED.

LOC	DIST	P	F	REVISIONS			
				ZONE	LTR	DATE	APPD
BD	77			D	REDRAWN & REVISED, ECN BD3361	11-89	SS
				E	OBS 207826-7, -8 BD6038	06/10/92	CR
				F	OBS -5, -6 PER EC 0020-964-93	04/05/94	CR



- ① HOUSING: BLACK POLYESTER, UL 94V-0 RATED; CONTACTS: PHOSPHOR BRONZE PER QQ-B-750.
- ② GOLD PLATING PER MIL-G-45204, TIN PLATING PER MIL-T-10727, NICKEL PLATING PER QQ-N-290.
- ③ GOLD FLASH FOR A LENGTH OF 2.54[.100] MIN FROM MATING END, 2.54μm[.000100] MIN TIN OR TIN-LEAD FOR A LENGTH OF DIMENSION A FROM OPPOSITE END, ALL OVER 1.27μm[.000050] MIN NICKEL.
- ④ 0.76μm[.000030] MIN GOLD FOR A LENGTH OF 2.54[.100] MIN FROM MATING END, 2.54μm[.000100] MIN TIN OR TIN-LEAD FOR A LENGTH OF DIMENSION A FROM OPPOSITE END, ALL OVER 1.27μm[.000050] MIN NICKEL.



OBSOLETE	6.35 [.250]	④	207826-8
OBSOLETE	6.35 [.250]	③	207826-7
OBSOLETE	4.32 [.170]	④	207826-6
OBSOLETE	4.32 [.170]	③	207826-5
	3.18 [.125]	④	207826-4
	3.18 [.125]	③	207826-3

DO NOT SCALE PRINT. UNLESS SPECIFIED DIMENSIONS IN mm [INCHES] TOLERANCES ON: 2 PLC DEC ± 0.13 [.005] 3 PLC DEC ± - ANGLES ± 2°		DR 11-16-89 J McCLINTON	
MATERIAL		CHK 2-1-90 R.STONE	
FINISH ②		APPD 2-2-90 S.SCHIEFFERLY	
CONTACT: SEE TABLE		APPD 2-2-90 C.ROHDE	
		PRODUCT SPEC 108-40025	
		SIZE	CAGE CODE
		C	00779
		SCALE	DRAWING NO
		4:1	207826
		WEIGHT	SHEET
		-	1 OF 1

**AMP** AMP INCORPORATED  
Harrisburg, Pa. 17105

NAME  
RECEPTACLE ASSEMBLY, SIZE 1,  
9 POSN, VERTICAL,  
AMPLIMITE® HD-20

RECOMMENDED PC BOARD  
MOUNTING DIMENSIONS