



**Have a Question?**  
 Chat with a Product Information Specialist

What can we help you find?

[Products](#) [Industries](#) [Resources](#) [About TE](#) [My Account](#) [Innovation](#) [Support Center](#)

**208006-2 Product Details**

[Share](#) [Print](#) [Email](#)



**208006-2**

TE Internal Number: 208006-2

Active

[View 3D PDF](#)

**Standard Board Mount Connectors**

5 of 6 EU RoHS/ELV Compliant (Find RoHS Compliant Alternates/Statement of Compliance)

**Product Highlights:**

- 9 Positions
- Connector Style = Plug
- PCB Mounting Orientation = Vertical
- Product Series = HD 20
- Without Mating Connector Lock

[View all Features](#)

**Quick Links**

- ▶ [Pricing & Availability](#)
- ▶ [Search for Tooling](#)
- ▶ [View Mating Products \(3\)](#)
- ▶ [Product Feature Selector](#)
- ▶ [Contact Us About This Product](#)

[Add to My Part List](#) [Request Sample](#) [Find Similar Products](#) [Buy Product](#)

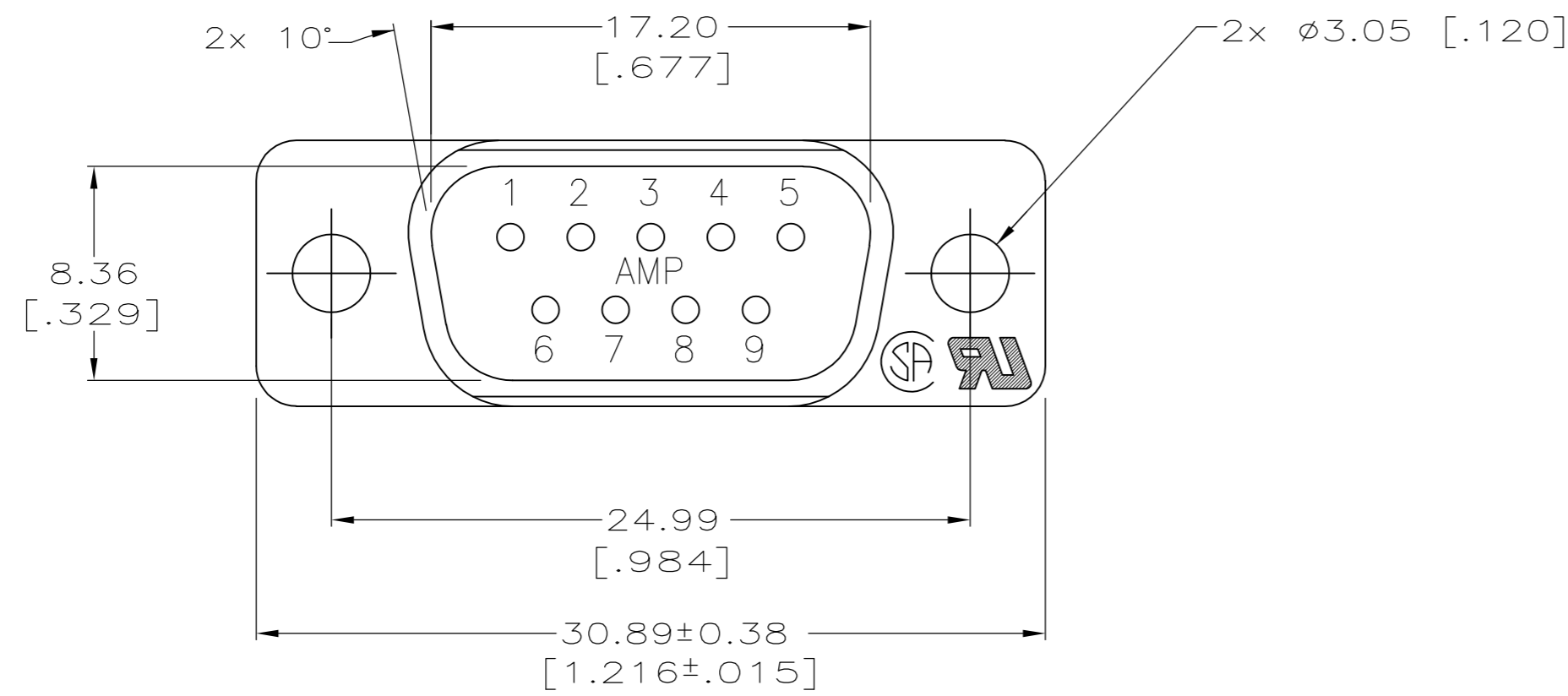
Documentation & Additional Information	
<p><b>Product Drawings:</b></p> <ul style="list-style-type: none"> <li>• <a href="#">PLUG ASSEMBLY, SIZE 1, 9 POSN, VERTICAL, AMPLIMITE HD-20 (PDF, English)</a></li> </ul> <p><b>Catalog Pages/Data Sheets:</b></p> <ul style="list-style-type: none"> <li>• None Available</li> </ul> <p><b>Product Specifications:</b></p> <ul style="list-style-type: none"> <li>• None Available</li> </ul> <p><b>Application Specifications:</b></p> <ul style="list-style-type: none"> <li>• None Available</li> </ul> <p><b>Instruction Sheets:</b></p> <ul style="list-style-type: none"> <li>• None Available</li> </ul> <p><b>CAD Files:</b> (<a href="#">CAD Format &amp; Compression Information</a>)</p> <ul style="list-style-type: none"> <li>• <a href="#">2D Drawing (DXF, Version K)</a></li> <li>• <a href="#">3D Model (IGES, Version K)</a></li> <li>• <a href="#">3D Model (STEP, Version K)</a></li> </ul>	<p><b>Additional Information:</b></p> <ul style="list-style-type: none"> <li>• <a href="#">Product Line Information</a></li> </ul> <p><b>Additional Product Images:</b></p> <ul style="list-style-type: none"> <li>• <a href="#">Product Photo</a></li> <li>• <a href="#">Typical Application</a></li> </ul> <p><b>Related Products:</b></p> <ul style="list-style-type: none"> <li>• <a href="#">Tooling</a></li> <li>• <a href="#">Mating Products (3)</a></li> </ul>

[List all Documents](#)

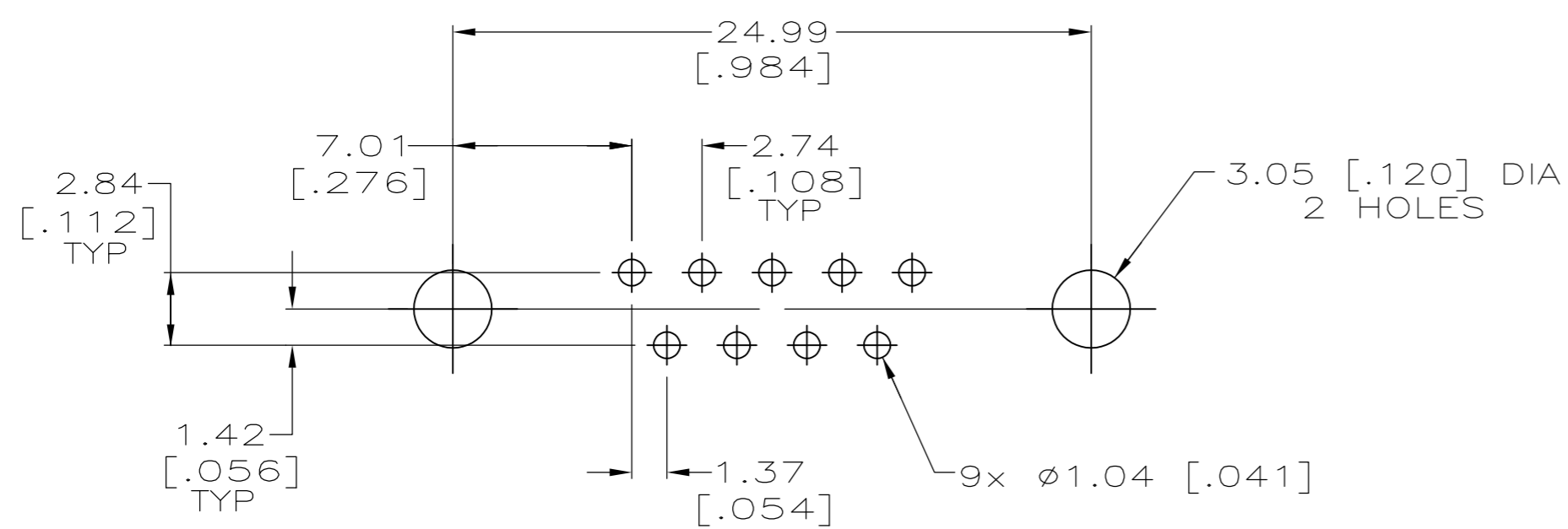
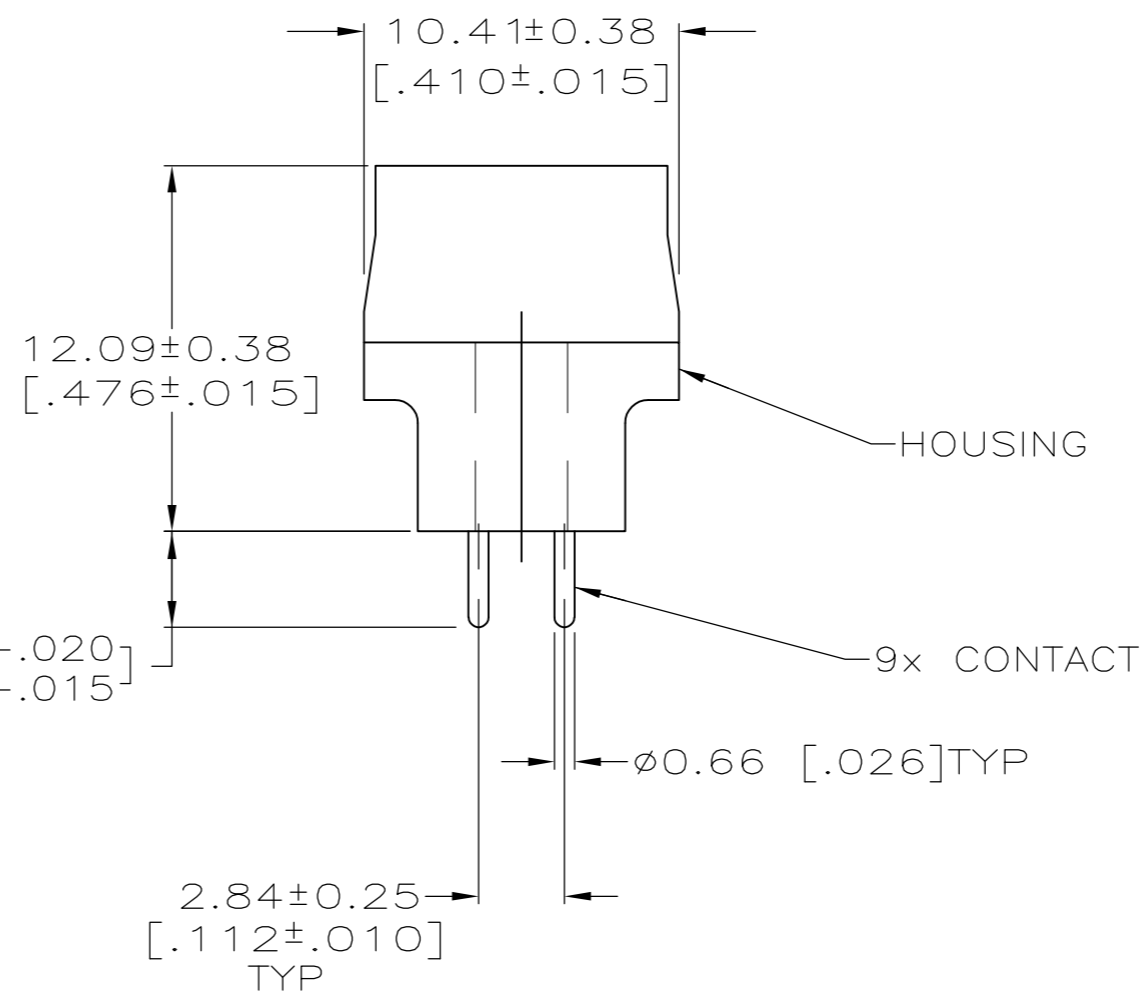
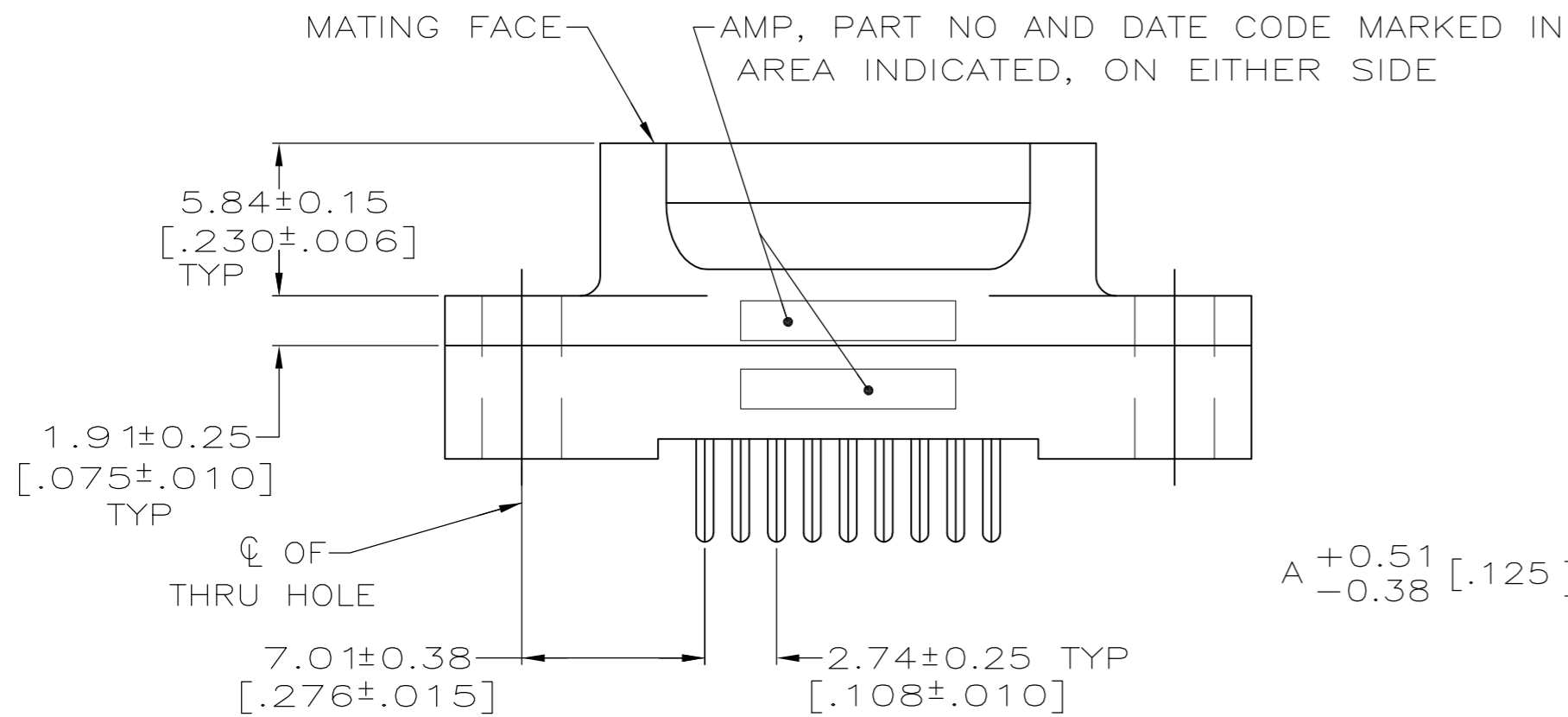
Product Features (Please use the Product Drawing for all design activity)	
<p><b>Product Type Features:</b></p> <ul style="list-style-type: none"> <li>• <a href="#">PCB Mounting Orientation</a> = Vertical</li> <li>• <a href="#">Product Series</a> = HD 20</li> <li>• <a href="#">Mating Connector Lock</a> = Without</li> <li>• <a href="#">PCB Mount Retention</a> = With</li> <li>• <a href="#">PCB Mount Retention Type</a> = Mounting Hole(s)</li> <li>• <a href="#">Shell Type</a> = All Plastic</li> <li>• <a href="#">Shell Size</a> = 1</li> <li>• <a href="#">Grounding Indents</a> = Without</li> <li>• <a href="#">Grounding Straps</a> = Without</li> <li>• <a href="#">PCB Mount Style</a> = Through Hole</li> <li>• <a href="#">Color Code</a> = None</li> <li>• Sealed = No</li> <li>• Profile = Standard</li> <li>• Post Size (mm [in]) = 0.64 [.025]</li> <li>• Mounting Hole Diameter (mm [in]) = 3.05 [.120]</li> </ul> <p><b>Mechanical Attachment:</b></p> <ul style="list-style-type: none"> <li>• <a href="#">Panel Mount Retention</a> = Without</li> </ul> <p><b>Termination Features:</b></p> <ul style="list-style-type: none"> <li>• <a href="#">Grounding Clips</a> = Without</li> <li>• <a href="#">Termination Post Length (mm [in])</a> = 3.18 [0.125]</li> </ul> <p><b>Dimensions:</b></p> <ul style="list-style-type: none"> <li>• <a href="#">PCB Thickness, Recommended (in [mm])</a> = 0.062 - 0.093 [1.57 - 2.36]</li> </ul>	<p><b>Contact Features:</b></p> <ul style="list-style-type: none"> <li>• <a href="#">Contact Plating, Mating Area, Material</a> = Gold (30), Gold Flash over Palladium Nickel</li> <li>• <a href="#">Solder Tail Contact Plating</a> = Tin over Nickel, Tin-Lead over Nickel</li> <li>• Contact Shape = Round</li> <li>• Contact Base Material = Brass</li> </ul> <p><b>Housing Features:</b></p> <ul style="list-style-type: none"> <li>• Connector Style = Plug</li> <li>• UL Flammability Rating = UL 94V-0</li> <li>• Housing Material = Thermoplastic - GF</li> </ul> <p><b>Configuration Features:</b></p> <ul style="list-style-type: none"> <li>• <a href="#">Number of Positions</a> = 9</li> </ul> <p><b>Industry Standards:</b></p> <ul style="list-style-type: none"> <li>• <a href="#">RoHS/ELV Compliance</a> = ELV compliant, 5 of 6 Compliant</li> <li>• <a href="#">Lead Free Solder Processes</a> = Wave solder capable to 260°C, Wave solder capable to 240°C, Wave solder capable to 265°C</li> </ul> <p><b>Operation/Application:</b></p> <ul style="list-style-type: none"> <li>• Application = Standard</li> </ul> <p><b>Other:</b></p> <ul style="list-style-type: none"> <li>• Brand = AMP</li> <li>• Comment = Plugs are preloaded with size 20 DF posted pin contacts</li> </ul>

THIS DRAWING IS UNPUBLISHED. RELEASED FOR PUBLICATION  
 © COPYRIGHT - By - ALL RIGHTS RESERVED.

LOC		DIST		REVISIONS			
P	LTR	DESCRIPTION	DATE	DWN	APVD		
GP	00	L1	REVISED PER ECO-11-004835	11MAR11	RK	HMR	



- 1 HOUSING: BLACK POLYESTER, UL 94V-0 RATED.  
CONTACTS: BRASS PER MIL-C-50.
- 2 GOLD PLATED PER MIL-G-45204,  
TIN PLATING PER MIL-T-10727,, BOTH OVER  
NICKEL PLATING PER QQ-N-290.
- 3 GOLD PLATED FOR LENGTH OF 3.81[.150] MIN FROM MATING END,  
GOLD FLASH IN MATED AREA,  
2.54µm [.000100] MIN TIN OR TIN-LEAD FOR A LENGTH OF DIMENSION A  
FROM OPPOSITE END, ALL OVER  
1.27µm [.000050] MIN NICKEL.
- 4 GOLD PLATED FOR LENGTH OF 3.81[.150] MIN FROM MATING END,  
0.76µm [.000030] MIN GOLD IN MATED AREA,  
2.54µm [.000100] MIN TIN OR TIN-LEAD FOR A LENGTH OF DIMENSION A  
FROM OPPOSITE END, ALL OVER  
1.27µm [.000050] MIN NICKEL.  
OR  
GOLD FLASH OVER PALLADIUM NICKEL PLATED FOR LENGTH OF  
3.81 [.150] MIN FROM MATING END,  
0.76µm [.000030] MIN PALLADIUM NICKEL IN MATED AREA,  
2.54µm [.000100] MIN TIN OR TIN-LEAD FOR A LENGTH OF DIMENSION A  
FROM OPPOSITE END, BOTH OVER  
1.27µm [.000050] MIN NICKEL.
- 5 SEE RESTRICTED CUSTOMER DRAWING: 208006-6.



RECOMMENDED PC BOARD  
MOUNTING DIMENSIONS

OBSOLETE			
OBSOLETE	-	-	5
OBSOLETE	6.35 [.250]	3	208006-5
OBSOLETE	4.32 [.170]	3 4	208006-4
OBSOLETE	4.32 [.170]	3 4	208006-3
	3.18 [.125]	3 4	208006-2
	3.18 [.125]	3	208006-1
	A	CONTACT FINISH	PART NUMBER

THIS DRAWING IS A CONTROLLED DOCUMENT.		DWN J. POLIGNONE 01FEB07	TE Connectivity	
DIMENSIONS: mm [INCHES]		CHK E. BRIANT 01FEB07	NAME	
TOLERANCES UNLESS OTHERWISE SPECIFIED:		APVD E. BRIANT 01FEB07	PRODUCT SPEC	
0 PLC ± -		108-40025		
1 PLC ± -		APPLICATION SPEC		
2 PLC ± 0.13 [.005]		SIZE CAGE CODE DRAWING NO RESTRICTED TO		
3 PLC ± -		A2 00779 C=208006		
4 PLC ± -		SCALE 4:1 SHEET 1 OF 1 REV L1		
ANGLES ± 2°		CUSTOMER DRAWING		
FINISH				